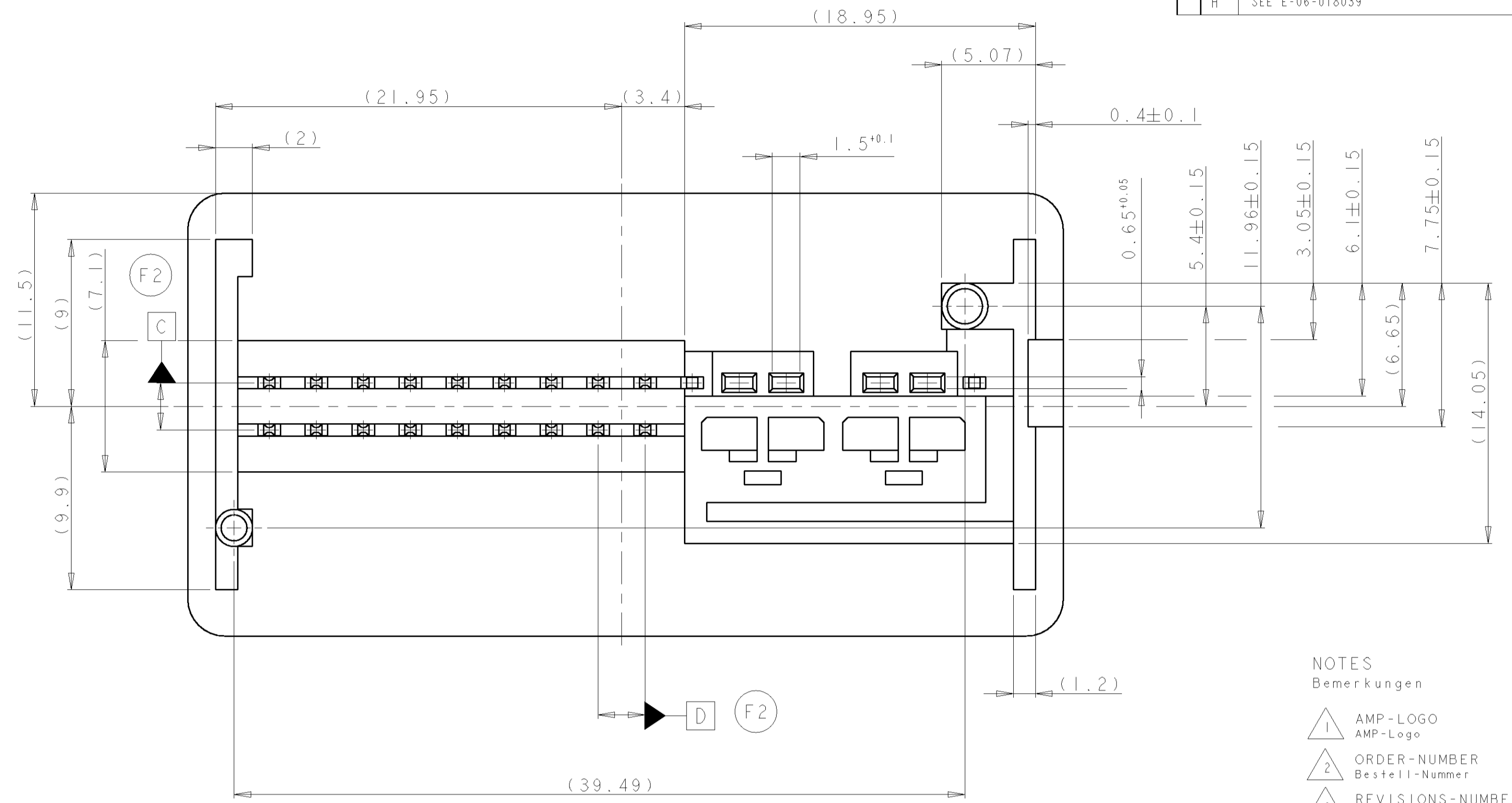
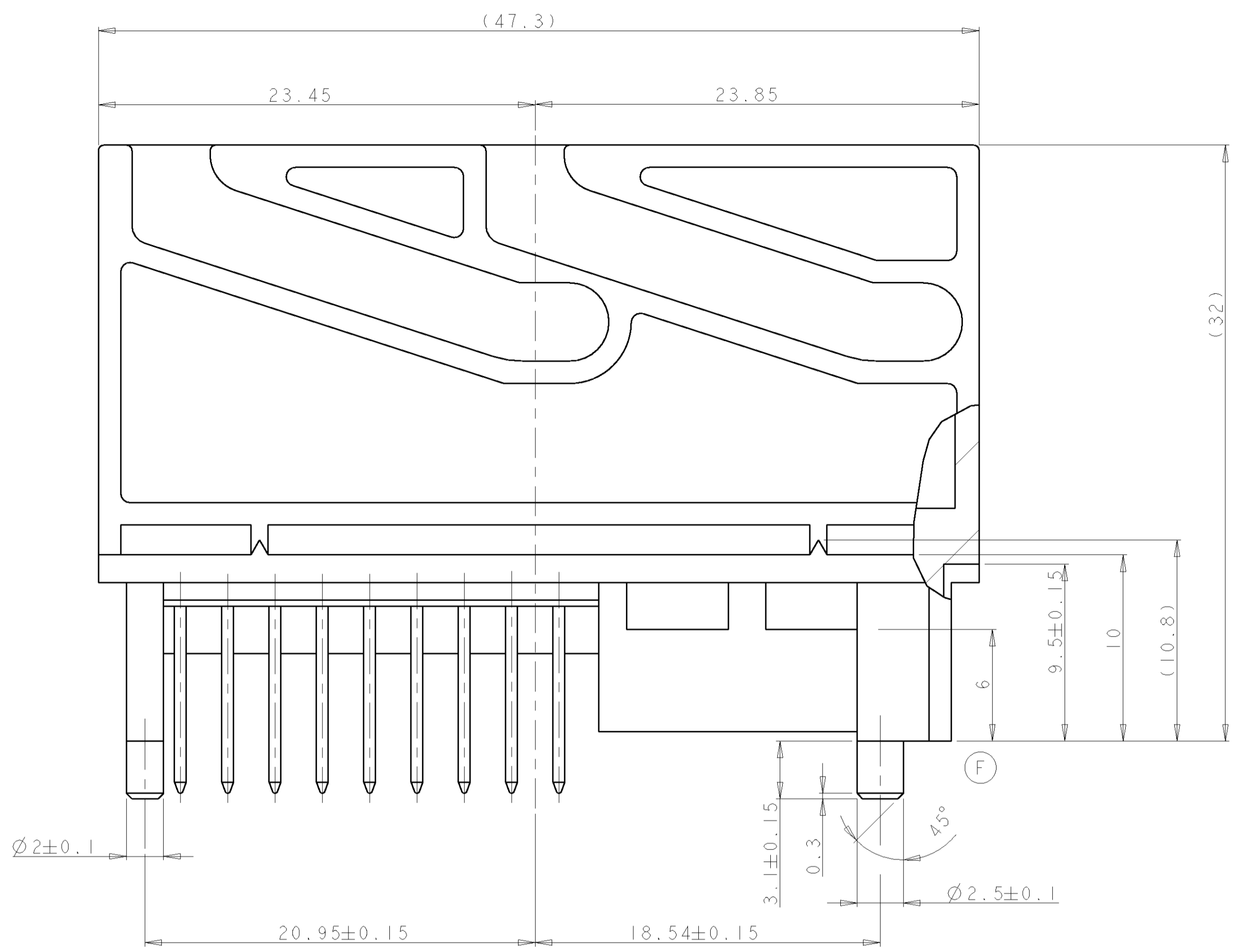
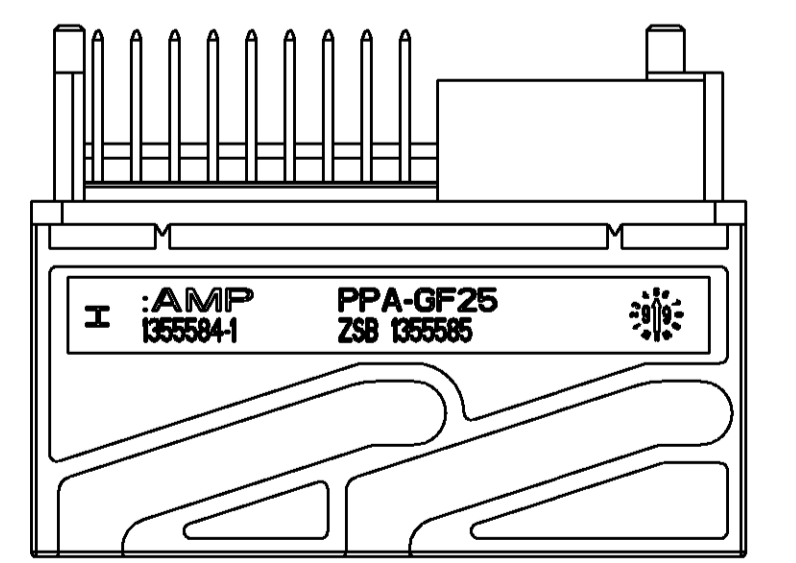
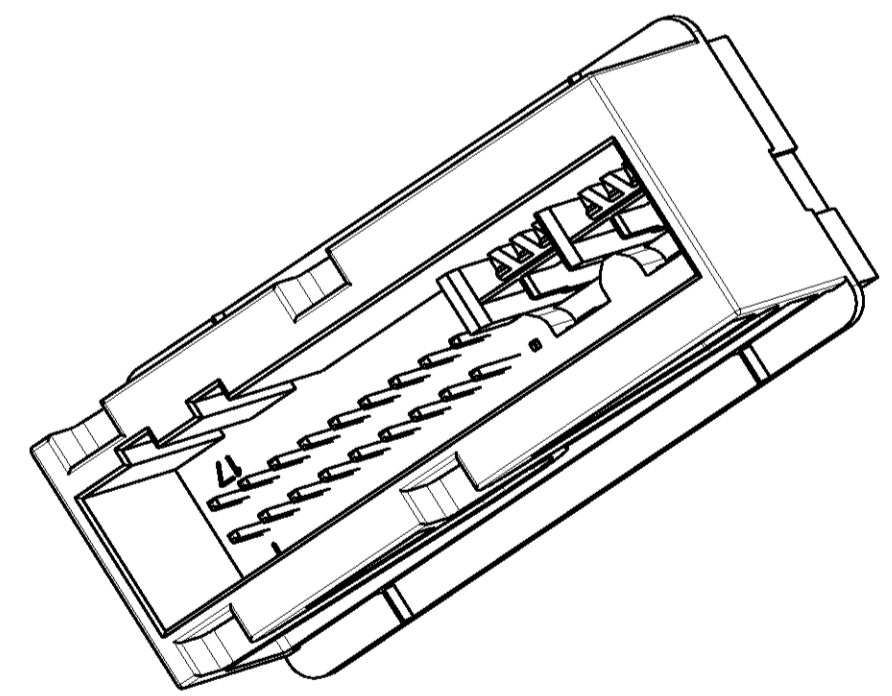
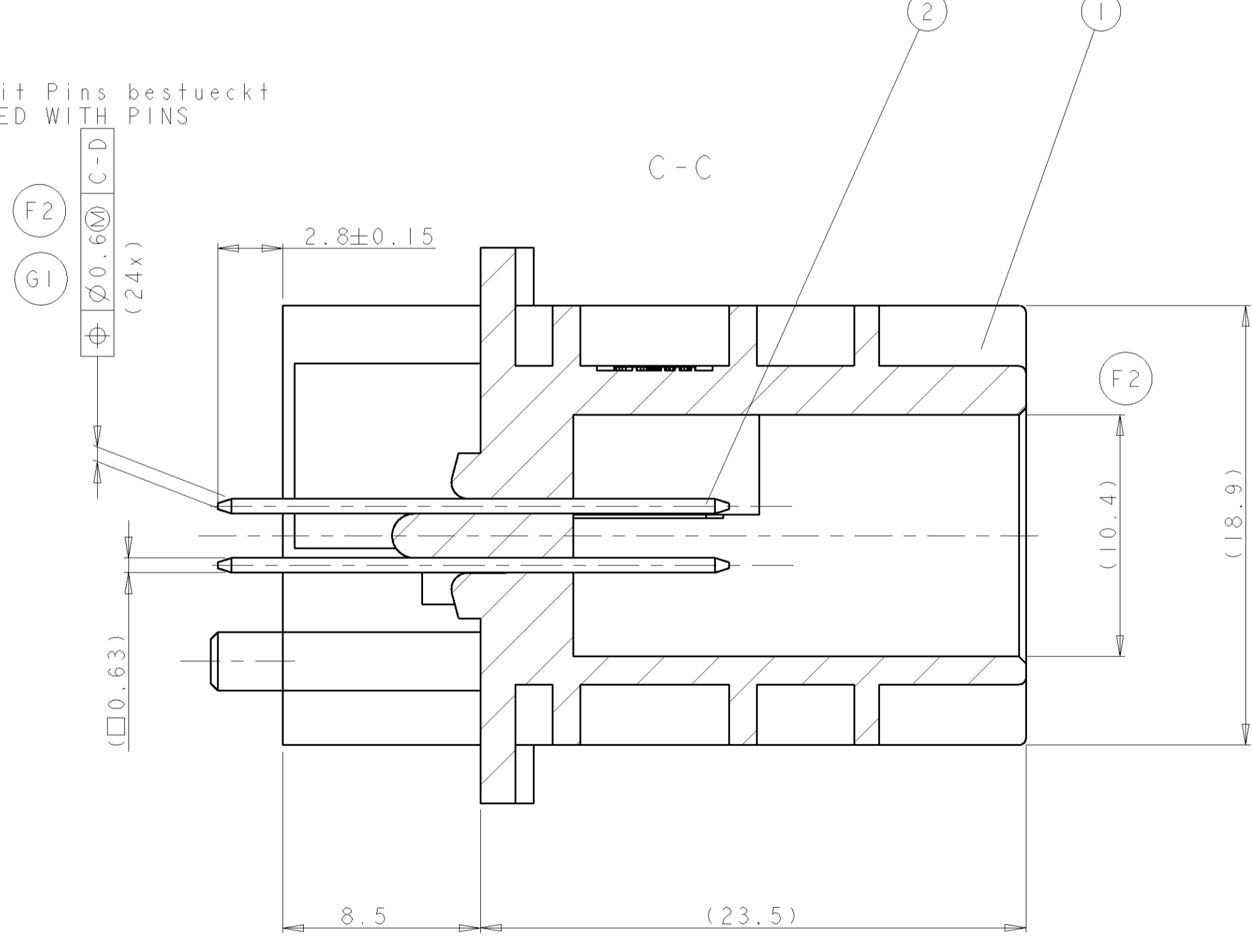
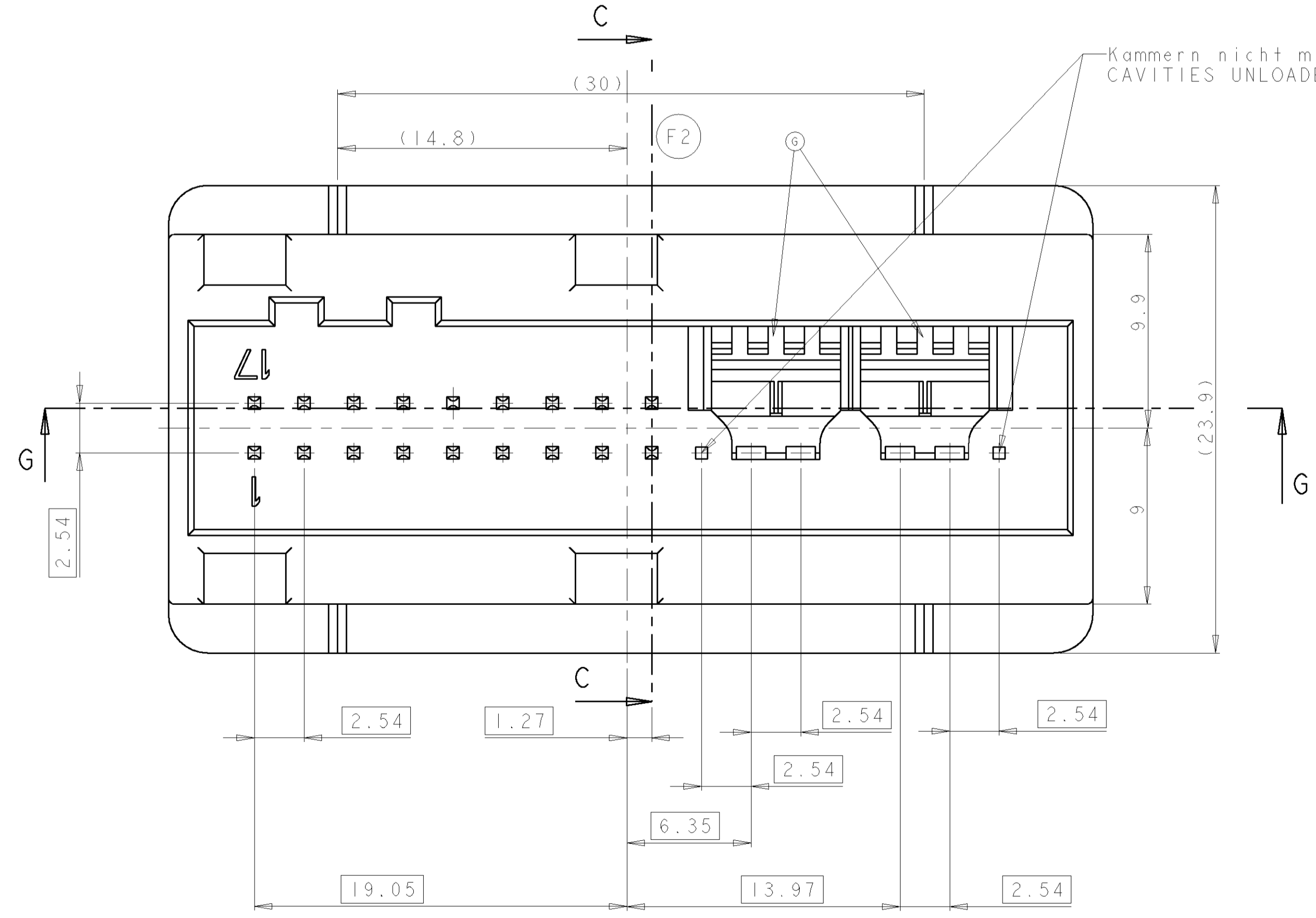


PROJEKT NO.
 A98-52140
 B909529

REV. NO.		DESCRIPTION	DATE	DWN	APVD
H1	SEE E-06-020971		31AUG2006	SC	HSCB
G1	SEE PCN E-06-005377		06MAR2006	HSCB	VB
F2	SEE PCN EG00-2391-01		08AUG2001	HSCB	VB
H	SEE E-06-018039		26JUL2006	SC	HSCB



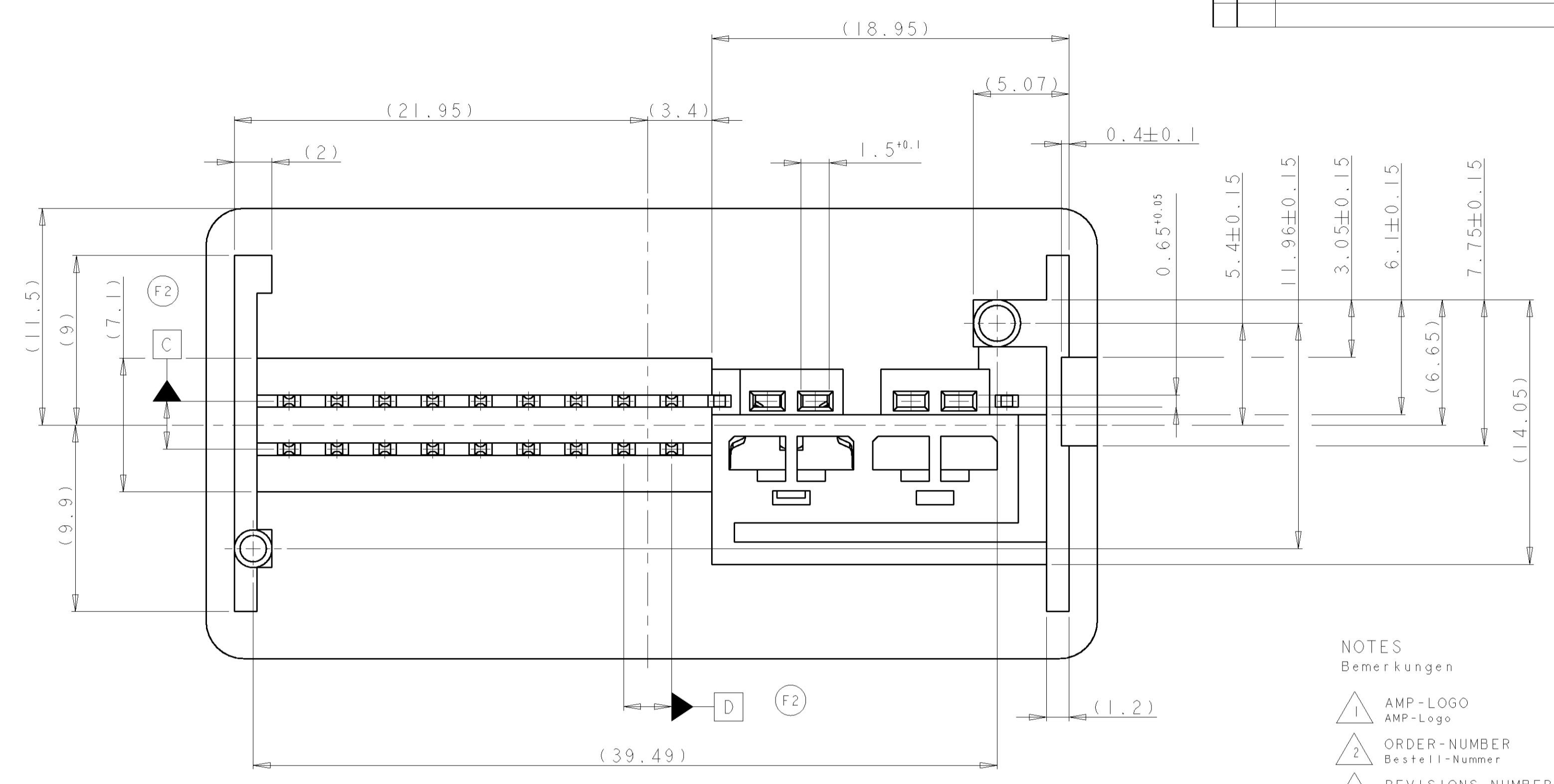
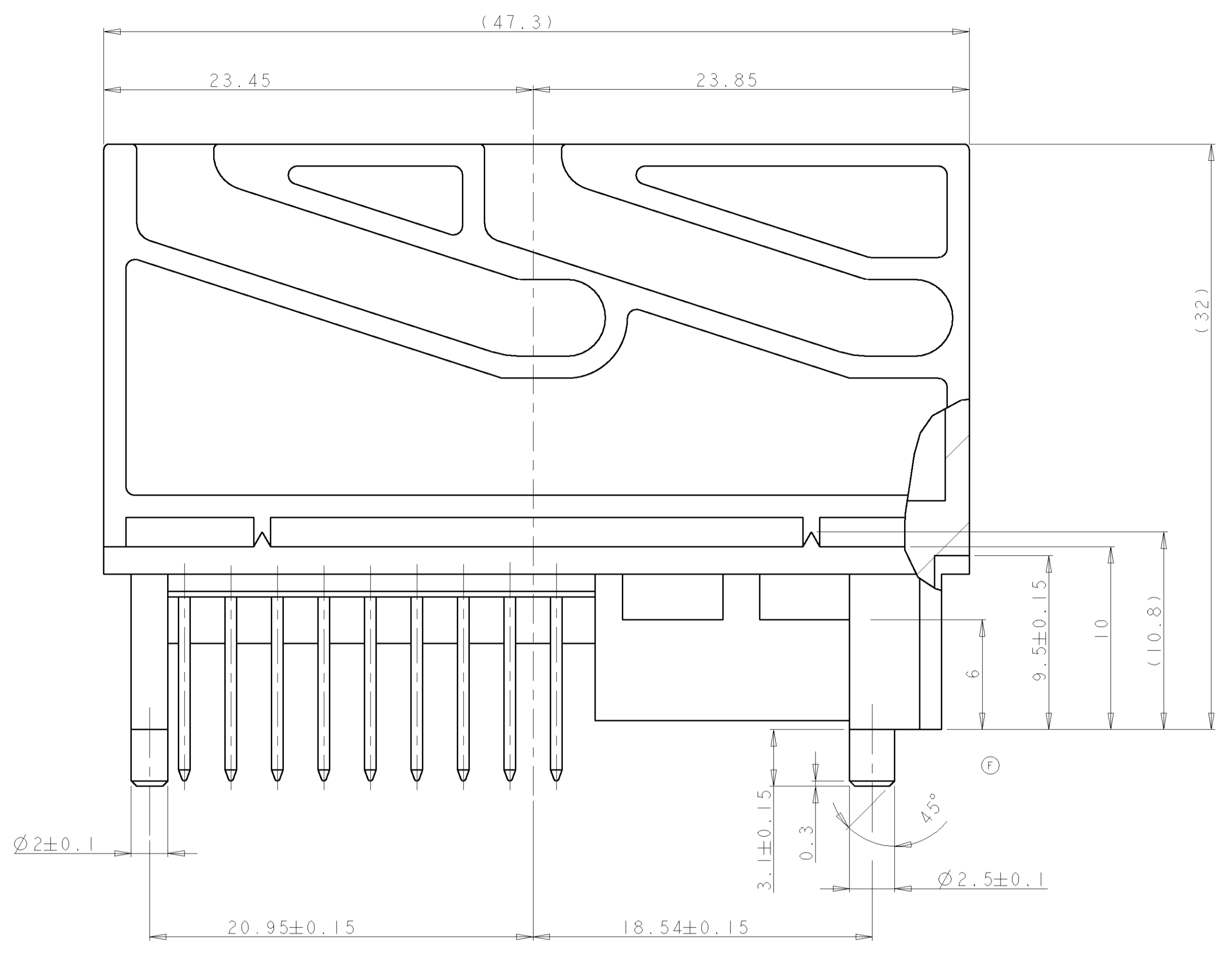
- NOTES
 Bemerkungen
- 1 AMP-LOGO
AMP-Logo
 - 2 ORDER-NUMBER
Bestell-Nummer
 - 3 REVISIONS-NUMBER
Werkzeugänderungsindex
 - 4 TOOL CAVITY MARKING
Nestmarkierung
 - 5 CAVITY MARKING
Kammernumerierung
 - 6 -
 - 7 MATERIAL MARKING
Werkstoffkennzeichnung
 - 8 PRODUCTION-DATE
Produktions-Datum



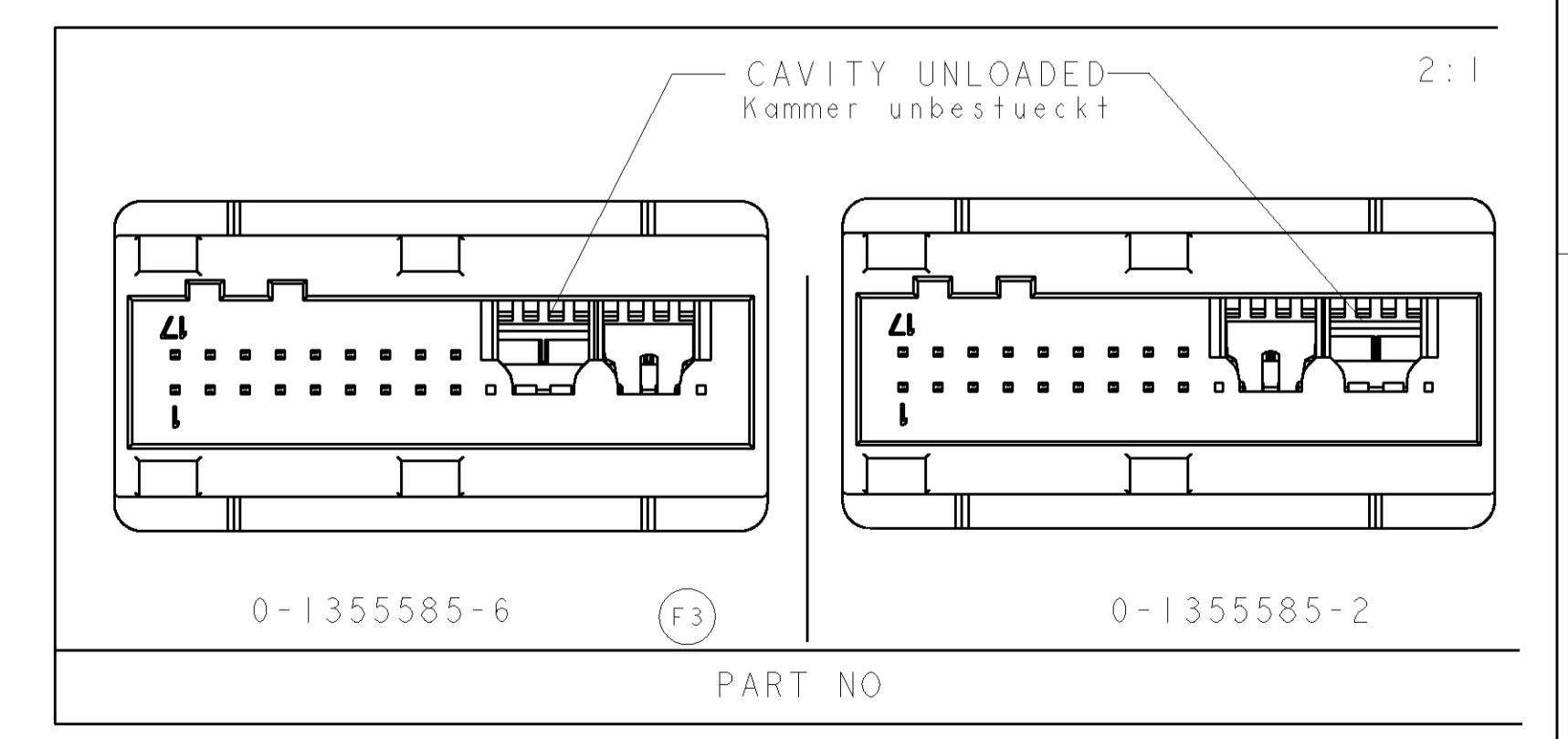
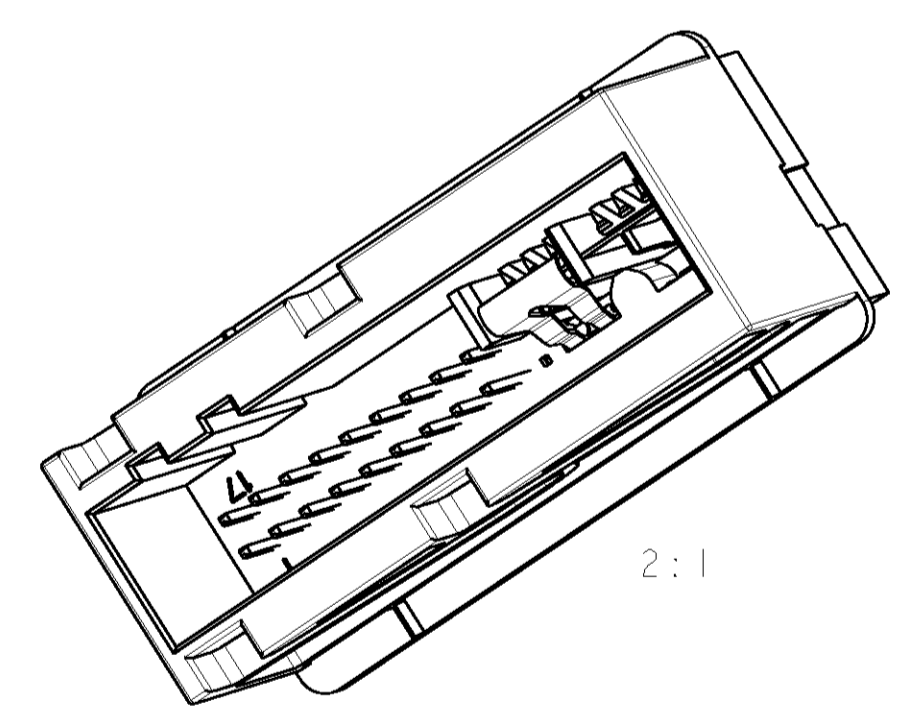
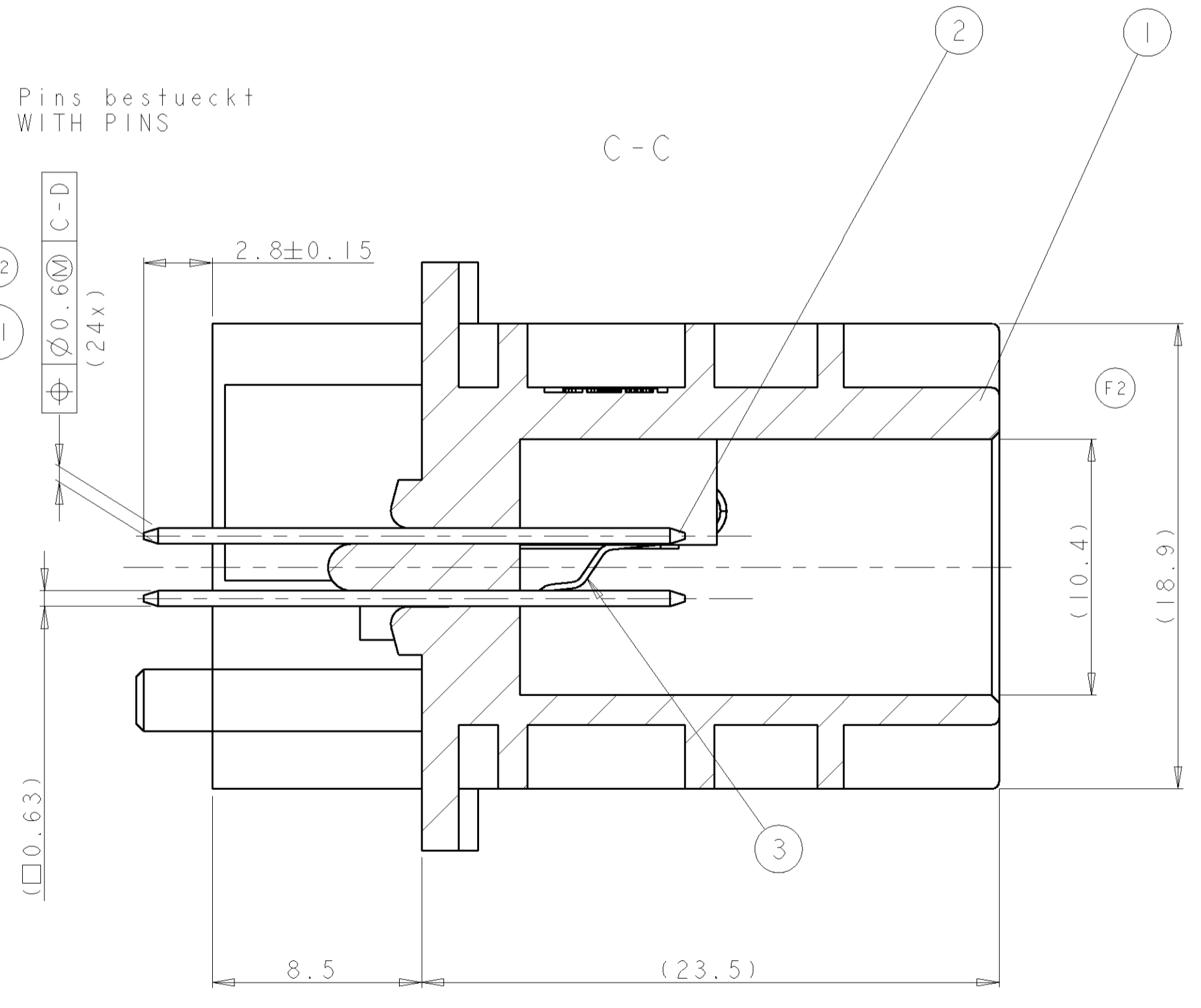
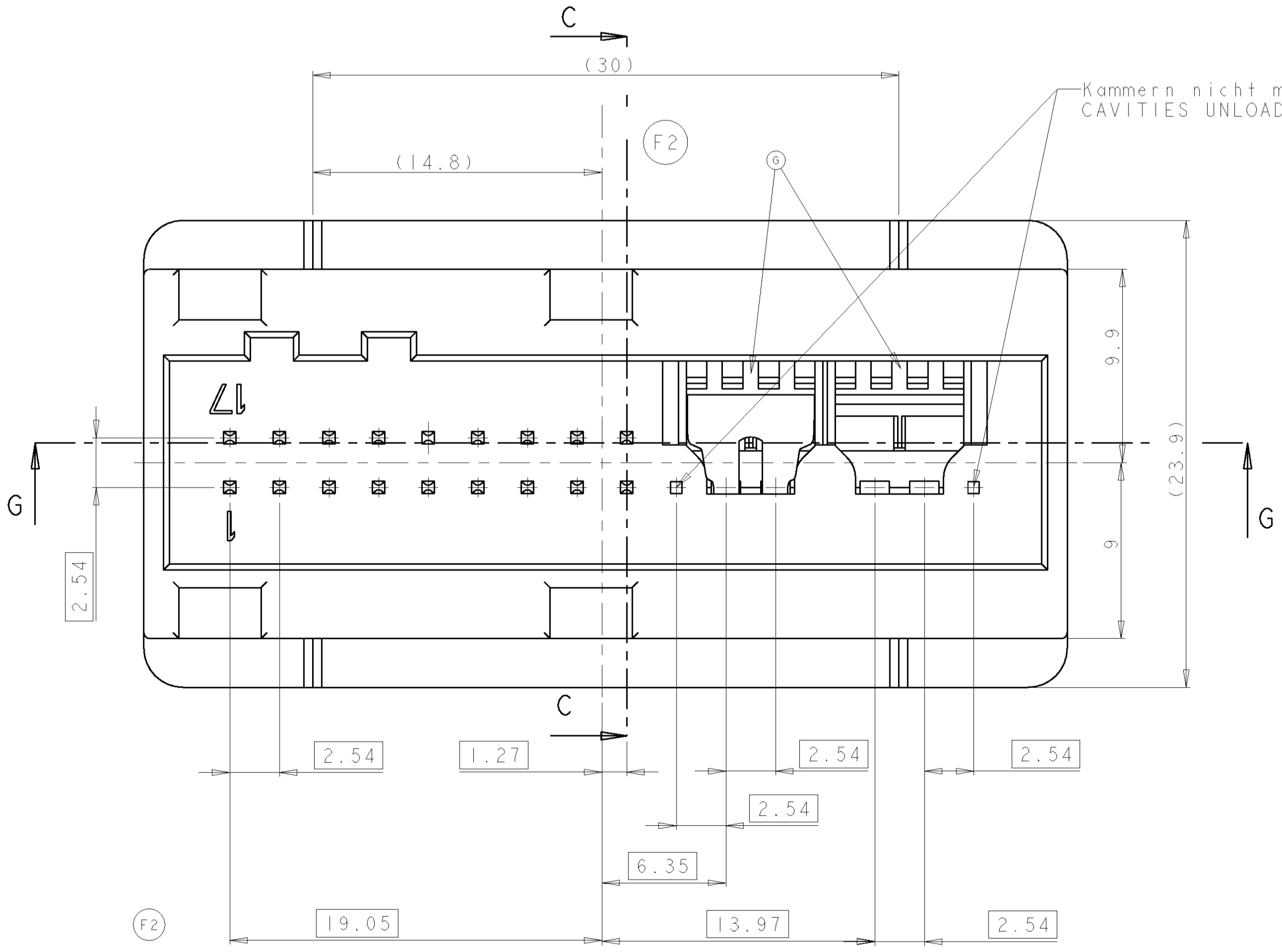
0-1241726-1	REC.-HOUSING FOR SHORT CIRCUIT BRIDGE
0-1241719-1	COVER WITH SLIDE, 90° FOR SHORT CIRCUIT BRIDGE
NUMBER NUMBER	DESCRIPTION BESCHREIBUNG
	COUNTERPARTS GEGENSTECKER

AMP PART NO. AMP Nummer	REV.	DESCRIPTION Beschreibung	QTY. Stck.	MATERIAL	SURFACE COLOR	ITEM NO.
(H) 0-1355585-1	H	AMP MODU II PIN PIN HEADER 18+4POS., COD. A	18 1	CuSn6 PPA-GF 25	TIN PLATED BLACK	2 1

DIMENSIONS:		TOLERANCES UNLESS OTHERWISE SPECIFIED:		DWN		APVD		NAME	
mm		0 PLC	±0.3	J. Juin 21JUL99		H. Schmitt 21JUL99		AMP Tyco Electronics AMP GmbH D - 63225 Langen	
1 PLC	±0.3	2 PLC	±0.3	PRODUCT SPEC		108-18688		18+4POS. AMPMODU II PIN HEADER	
3 PLC	±	4 PLC	±	APPLICATION SPEC		114-18334		18+4Pol. AMPMODU II Stiftwanne	
ANGLES		±0.2		WEIGHT		00779		RESTRICTED TO	
MATERIAL		FINISH		CUSTOMER DRAWING		SCALE 5:1		SHEET 1 OF 4	



- NOTES
 Bemerkungen
- 1 AMP-LOGO AMP-Logo
 - 2 ORDER-NUMBER Bestell-Nummer
 - 3 REVISIONS-NUMBER Werkzeugaenderungsindex
 - 4 TOOL CAVITY MARKING Nestmarkierung
 - 5 CAVITY MARKING Kammernumerierung
 - 6 -
 - 7 MATERIAL MARKING Werkstoffkennzeichnung
 - 8 PRODUCTION-DATE Produktions-Datum



0-1241726-1	REC.-HOUSING FOR SHORT CIRCUIT BRIDGE
0-1241719-1	COVER WITH SLIDE, 90° FOR SHORT CIRCUIT BRIDGE
NUMBER NUMBER	DESCRIPTION BESCHREIBUNG
COUNTERPARTS GEGENSTECKER	

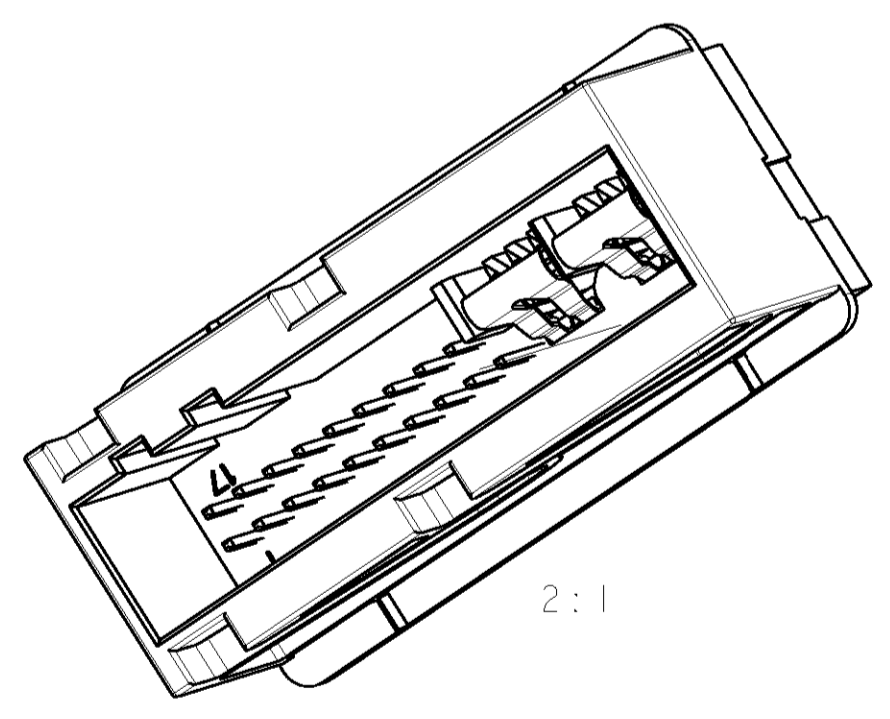
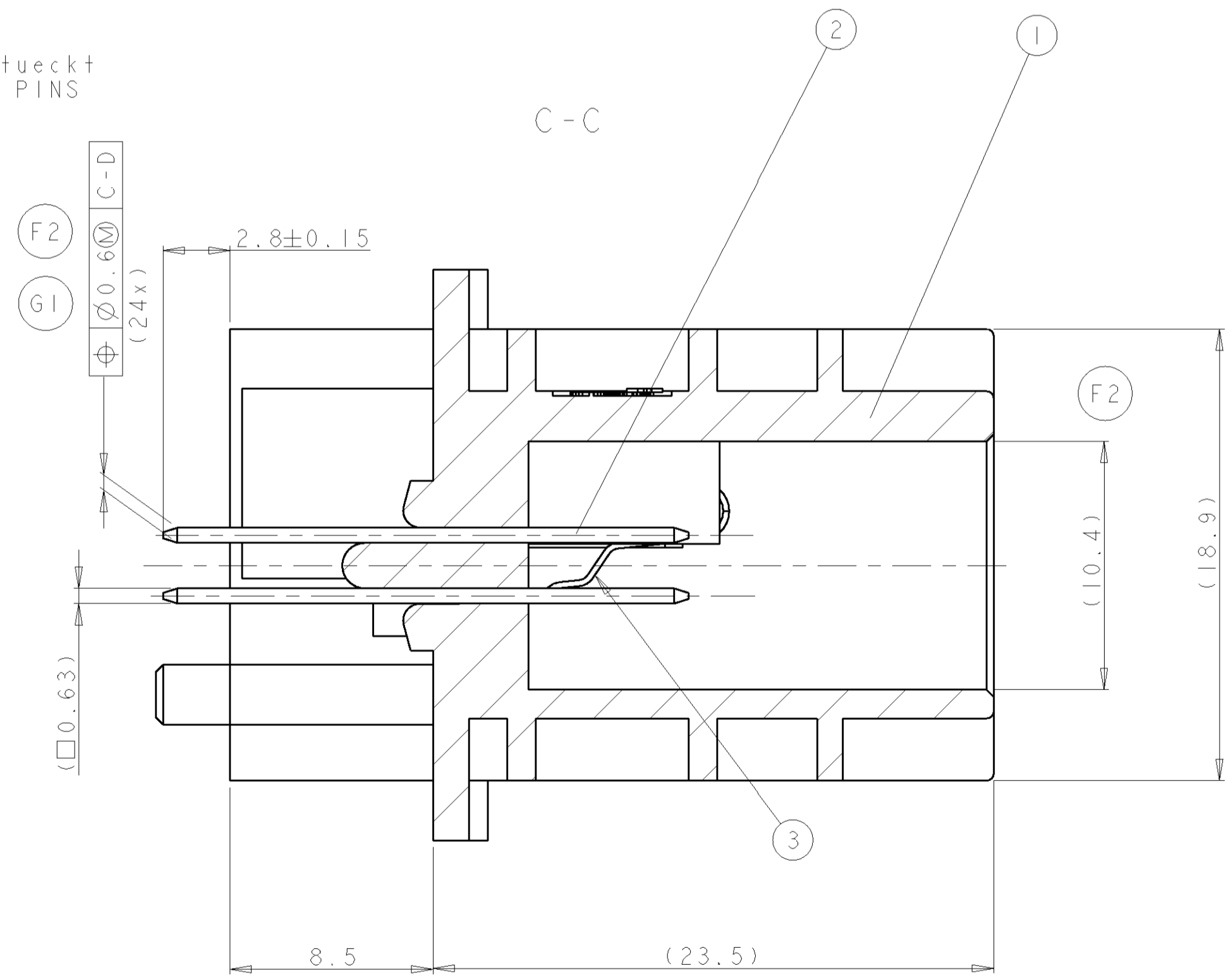
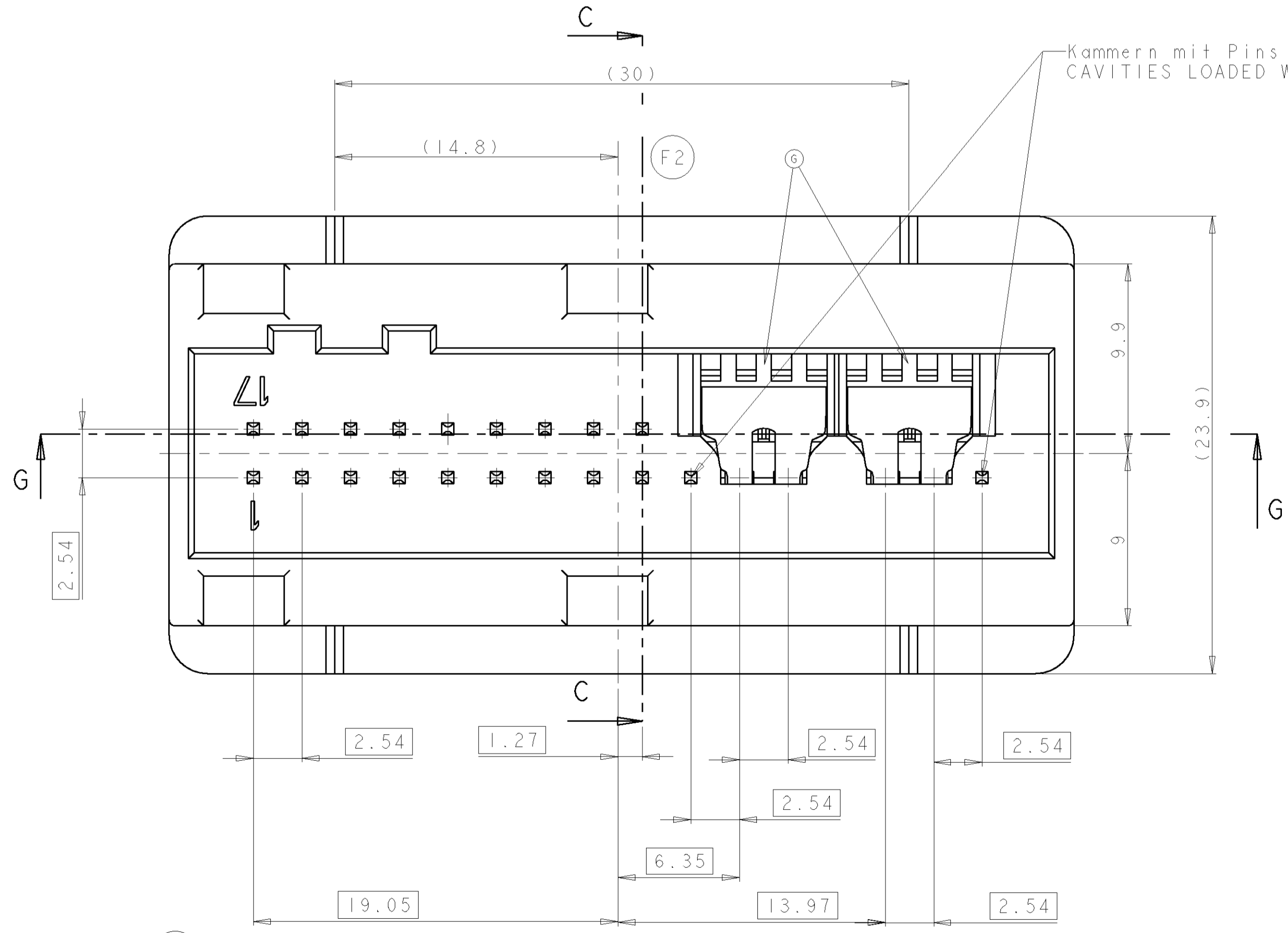
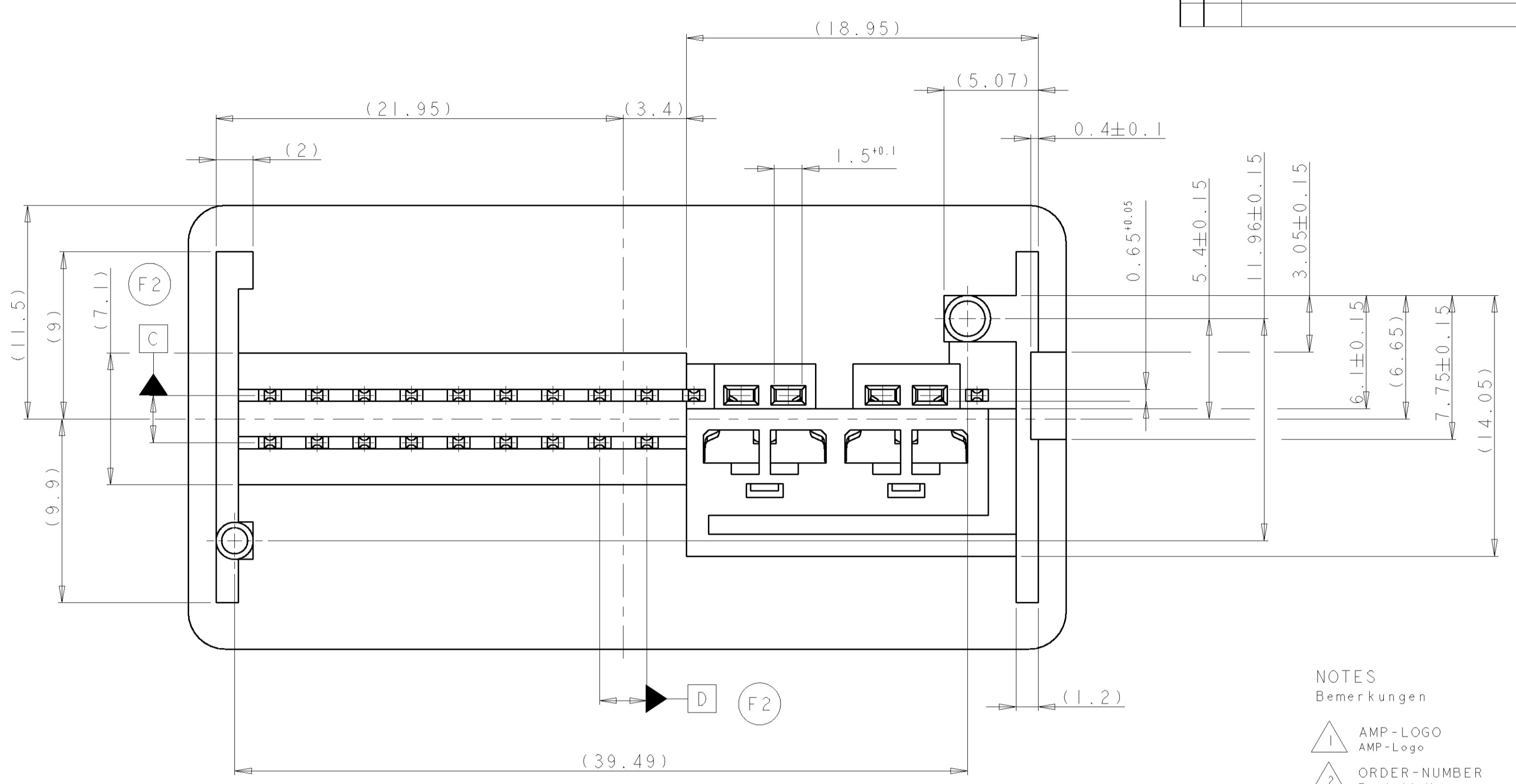
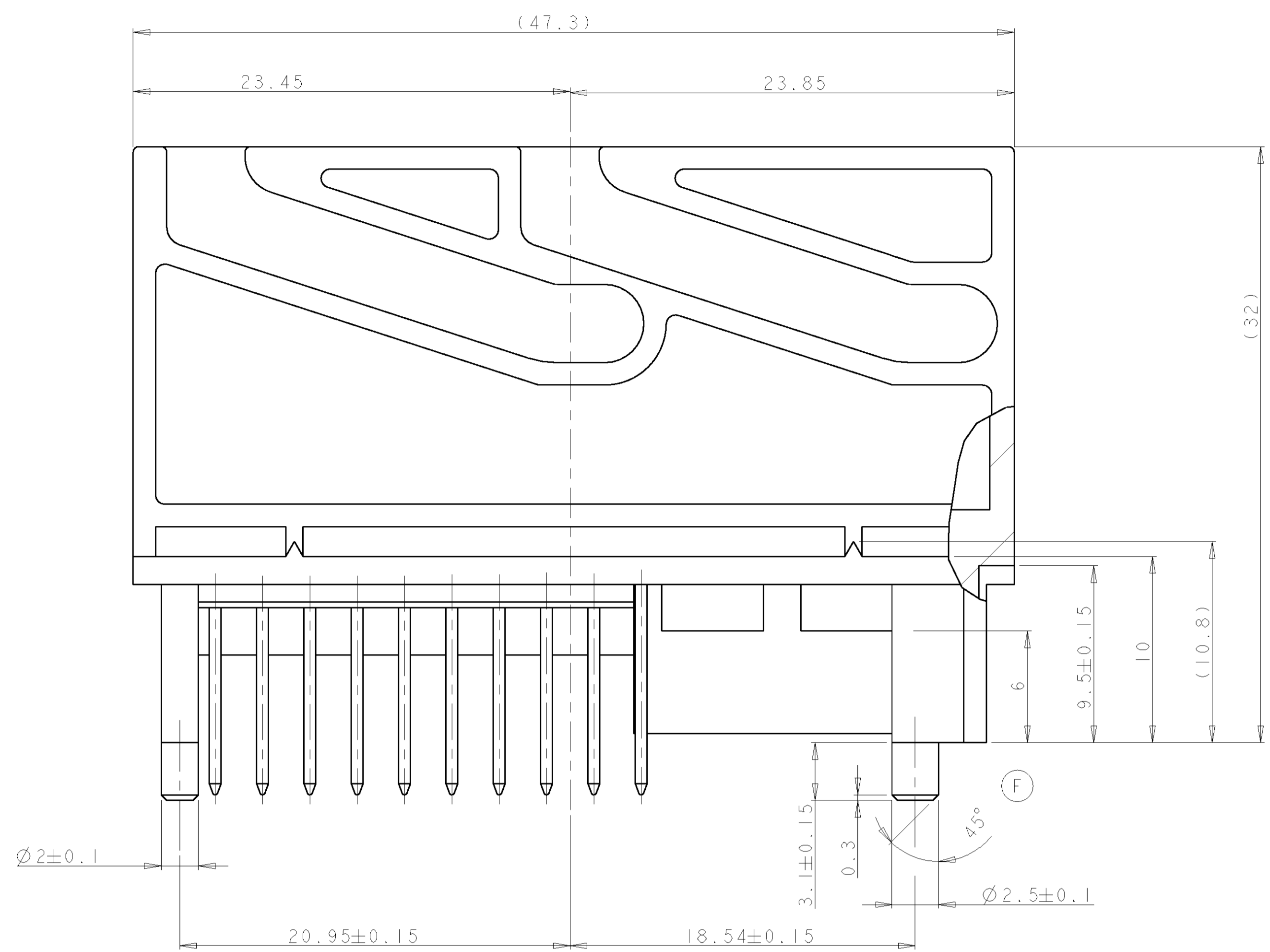
AS SHOWN
 0-1355585-2
 wie gezeichnet

AMP PART NO. AMP Nummer	REV.	DESCRIPTION Beschreibung	QTY. Stck.	MATERIAL	SURFACE COLOR	ITEM NO.
0-1355585-6	C	SHORT CIRCUIT SPRING	1	X12CrNi177	>3.0µm Au selektiv am Kontaktpunkt	3
		AMP MODU II PIN	18	CuSn6	TIN PLATED	2
		PIN HEADER 18+4POS., COD. A	1	PPA-GF 25	BLACK	1
0-1355585-2	H	SHORT CIRCUIT SPRING	1	X12CrNi177	>3.0µm Au selektiv am Kontaktpunkt	3
		AMP MODU II PIN	18	CuSn6	TIN PLATED	2
		PIN HEADER 18+4POS., COD. A	1	PPA-GF 25	BLACK	1

DIMENSIONS: mm	TOLERANCES UNLESS OTHERWISE SPECIFIED:	DWN: H. Schmitt 130CT00	CHK: V. BERGMANN 10AUG01	NAME: AMP Tyco Electronics AMP GmbH D - 63225 Langen
0 PLC ±0.3	1 PLC ±0.3	PRODUCT SPEC: 108-18688-1	NAME: 18+4POS. AMPMODU II PIN HEADER	RESTRICTED TO: -
2 PLC ±0.3	3 PLC ±0.3	APPLICATION SPEC: 114-18334-1	SIZE: 18+4pol. AMPMODU II Stiftwanne	REV: -
4 PLC ±0.3	ANGLES ±0.2°	WEIGHT: -	SCALE: 5:1	SHEET: 2 OF 4
MATERIAL: -	FINISH: -	CUSTOMER DRAWING	SCALE: 5:1	SHEET: 2 OF 4

PROJEKT NO.
 A98-52140
 B909529

LOC	DIST	REV	DATE	BY	APPD
A1		1			
		2			
		3			
		4			



- NOTES
 Bemerkungen
- 1 AMP-LOGO
AMP-Logo
 - 2 ORDER-NUMBER
Bestell-Nummer
 - 3 REVISIONS-NUMBER
Werkzeugaenderungsindex
 - 4 TOOL CAVITY MARKING
Nestmarkierung
 - 5 CAVITY MARKING
Kammernumerierung
 - 6 -
 - 7 MATERIAL MARKING
Werkstoffkennzeichnung
 - 8 PRODUCTION-DATE
Produktions-Datum

0-1241726-1	REC.-HOUSING FOR SHORT CIRCUIT BRIDGE
0-1241719-1	COVER WITH SLIDE, 90° FOR SHORT CIRCUIT BRIDGE
NUMBER	DESCRIPTION
NUMMER	BESCHREIBUNG
COUNTERPARTS GEGENSTECKER	

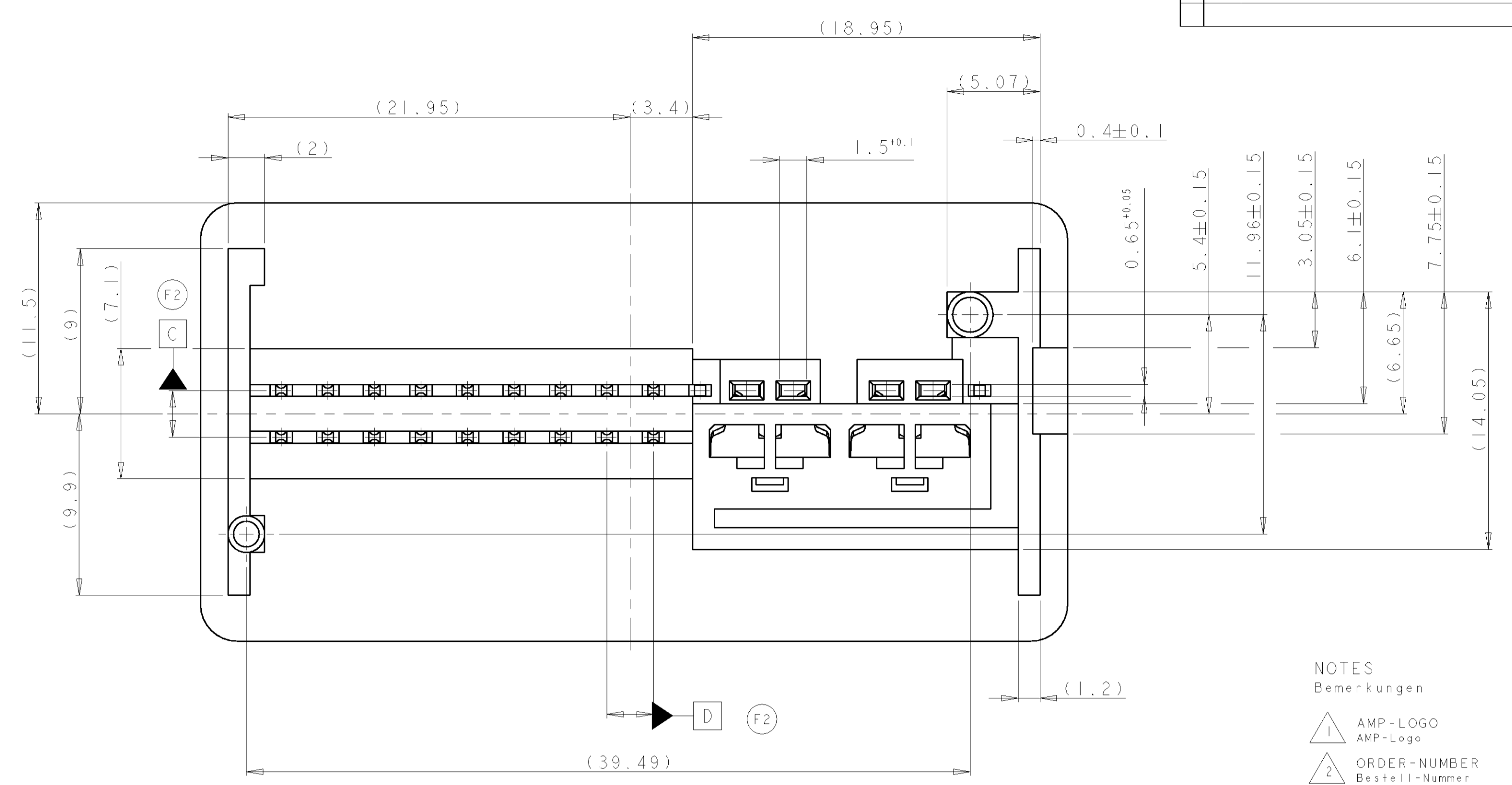
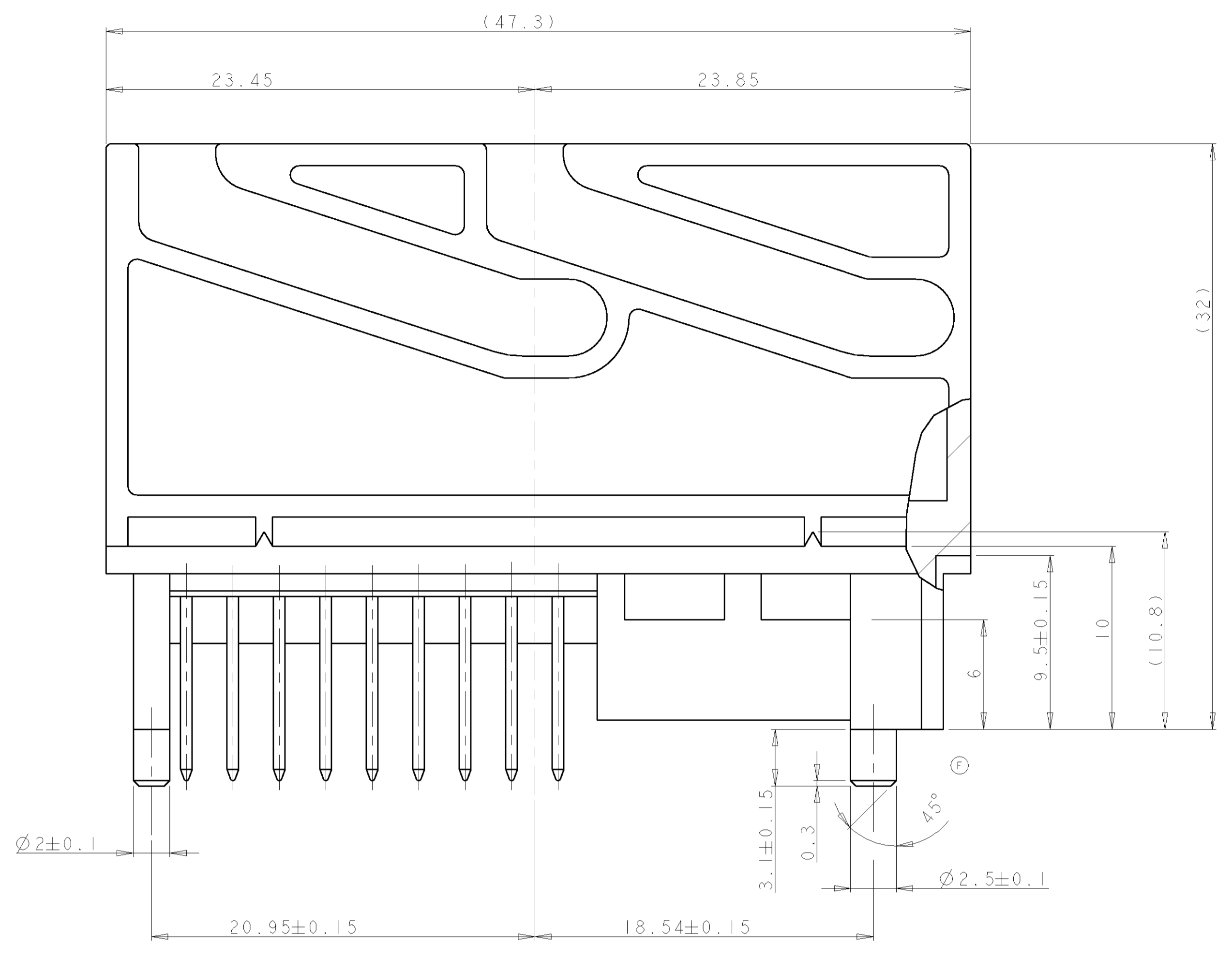
AMP PART NO. AMP Nummer	REV.	DESCRIPTION Beschreibung	QTY. Stück	MATERIAL	SURFACE COLOR	ITEM NO.
0-1355585-3	H	SHORT CIRCUIT SPRING	2	X12CrNi177	23.0µm Au selektiv am Kontaktpunkt	3
		AMP MODU II PIN	20	CuSn6	TIN PLATED	2
		PIN HEADER 18+4POS., COD. A	1	PPA-GF 25	BLACK	1

DIMENSIONS:	TOLERANCES UNLESS OTHERWISE SPECIFIED:	APVD	NAME
mm	0 PLC ±0.3 1 PLC ±0.3 2 PLC ±0.3 3 PLC ± 4 PLC ± ANGLES ±2°	130C100 HSC 09AUG01 V. BERGMANN	AMP Tyco Electronics AMP GmbH D - 63225 Langen
		PRODUCT SPEC 108-18688-1	18+4POS. AMPMODU II PIN HEADER
		APPLICATION SPEC 114-18334-1	18+4pol. AMPMODU II Stiftwanne
		WEIGHT	SIZE CAGE CODE DRAWING NO A1 00779 C=1355585
		CUSTOMER DRAWING	RESTRICTED TO SCALE 5:1 SHEET 3 OF 4 REV. H

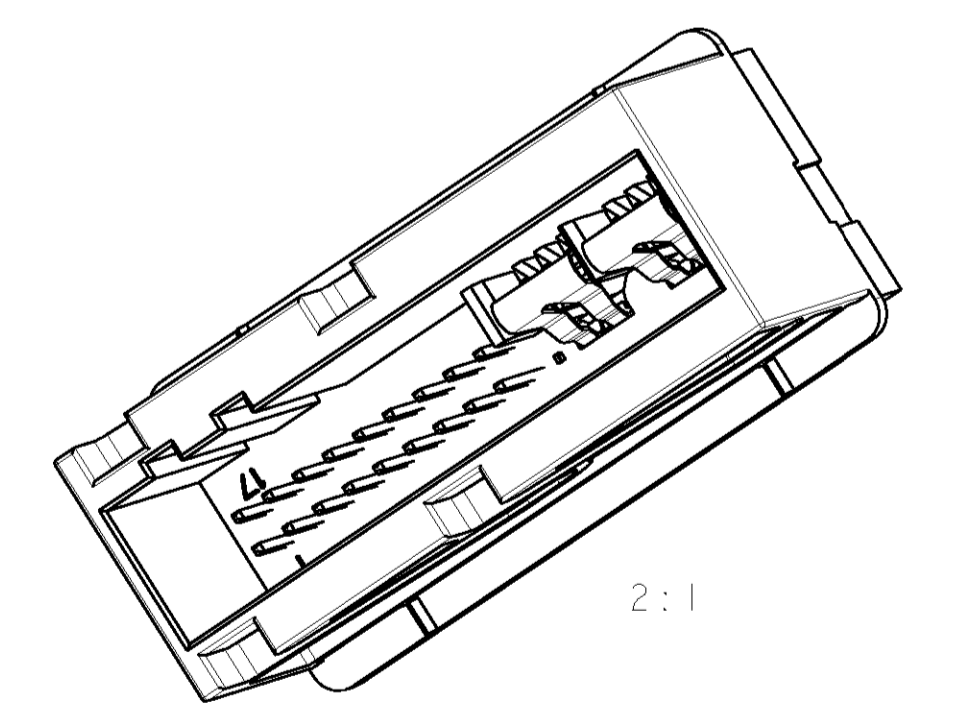
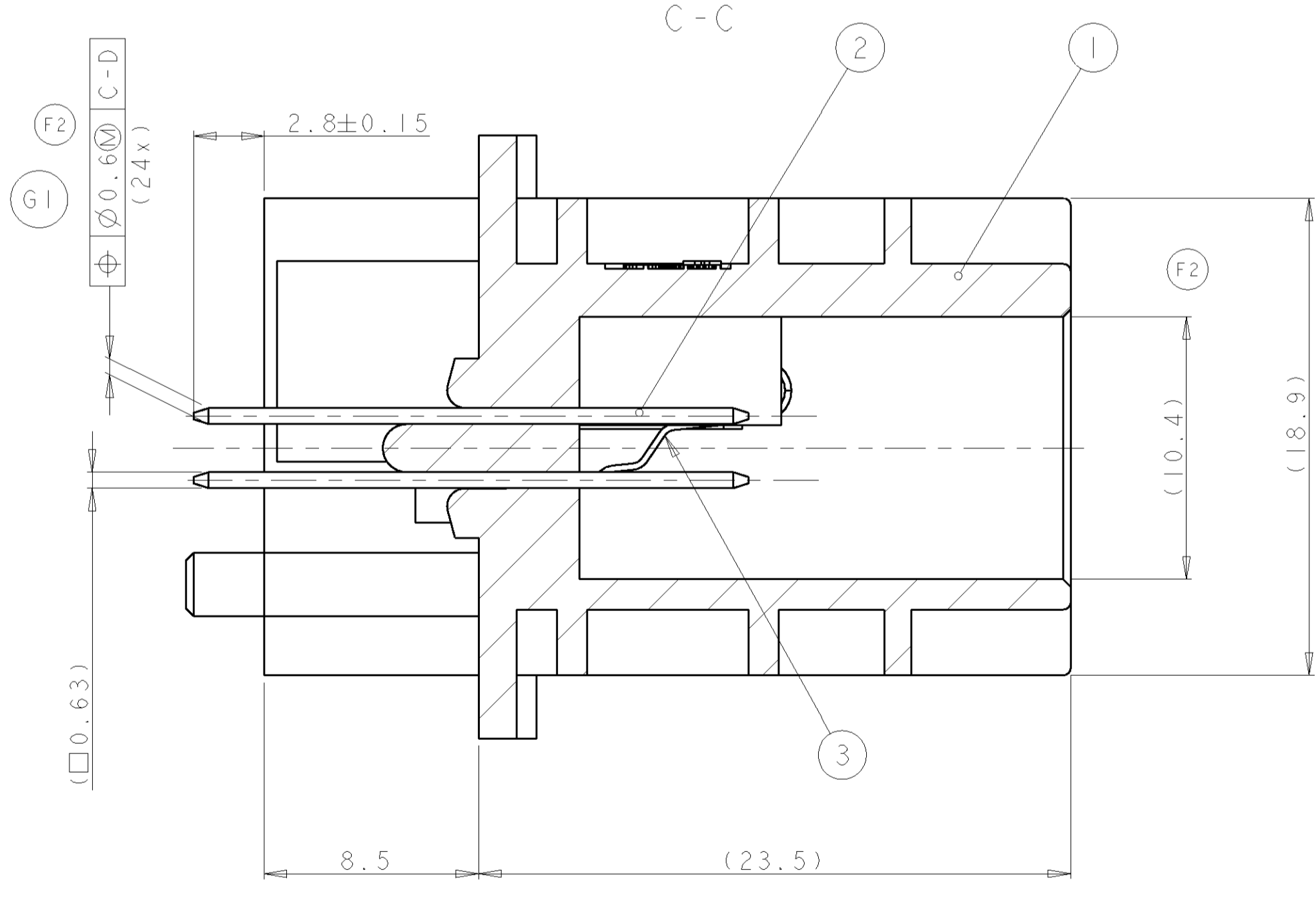
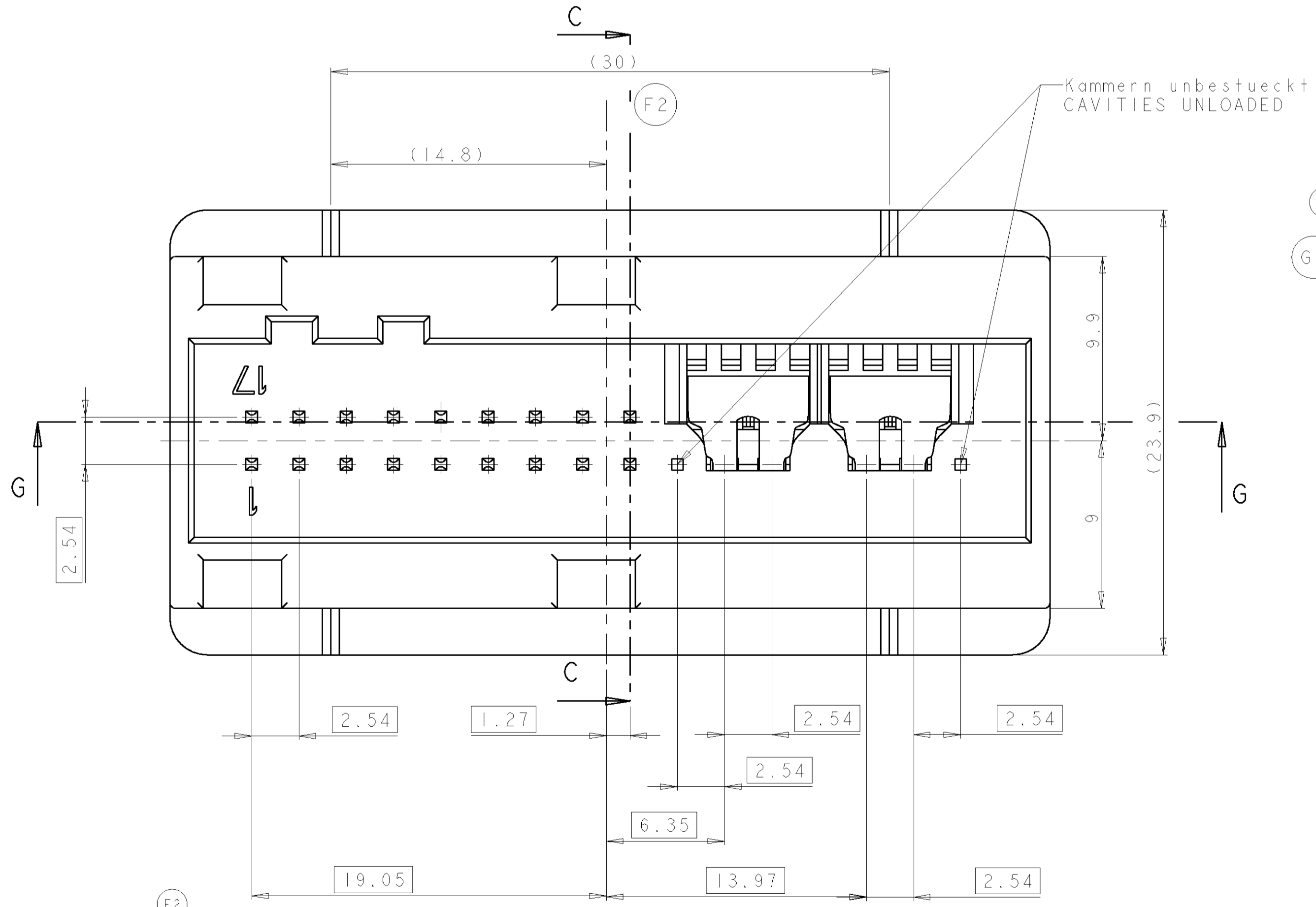
PROJEKT NO.
 A98-52140
 B909529

LOC	DIST	REV	DATE	BY	APPD
A1					

REV	DATE	BY	APPD
1			
2			
3			
4			
5			
6			
7			
8			



- NOTES
 Bemerkungen
- 1 AMP-LOGO
AMP-Logo
 - 2 ORDER-NUMBER
Bestell-Nummer
 - 3 REVISIONS-NUMBER
Werkzeugaenderungsindex
 - 4 TOOL CAVITY MARKING
Nestmarkierung
 - 5 CAVITY MARKING
Kammernumerierung
 - 6 -
 - 7 MATERIAL MARKING
Werkstoffkennzeichnung
 - 8 PRODUCTION-DATE
Produktions-Datum



0-1241726-1	REC.-HOUSING FOR SHORT CIRCUIT BRIDGE
0-1241719-1	COVER WITH SLIDE, 90° FOR SHORT CIRCUIT BRIDGE
NUMBER	DESCRIPTION
NUMBER	BESCHREIBUNG
COUNTERPARTS GEGENSTECKER	

AMP PART NO. AMP Bestell-Nr.	REV.	DESCRIPTION Beschreibung	QTY. Stück.	MATERIAL	SURFACE COLOR	ITEM NO.
0-1355585-5	C	SHORT CIRCUIT SPRING	2	X12CrNi177	23.0µm Au selektiv am Kontaktpunkt	3
		AMP MODU II PIN	18	CuSn6	TIN PLATED	2
		PIN HEADER 18+4POS., COD. A	1	PPA-GF 25	BLACK	1

DIMENSIONS:	TOLERANCES UNLESS OTHERWISE SPECIFIED:	DATE	BY	APPD	NAME	PRODUCT SPEC	APPLICATION SPEC	SIZE	CAGE CODE	DRAWING NO	RESTRICTED TO
mm	0 PLC ±0.3 1 PLC ±0.3 2 PLC ±0.3 3 PLC ± 4 PLC ± ANGLES ±2°	09 JUL 2001	A. Richter	H. Schmitt		108-18688-1	114-18334-1	A1	00779	C=1355585	
CUSTOMER DRAWING											
SCALE 5:1 SHEET 4 OF 4 REV. H											