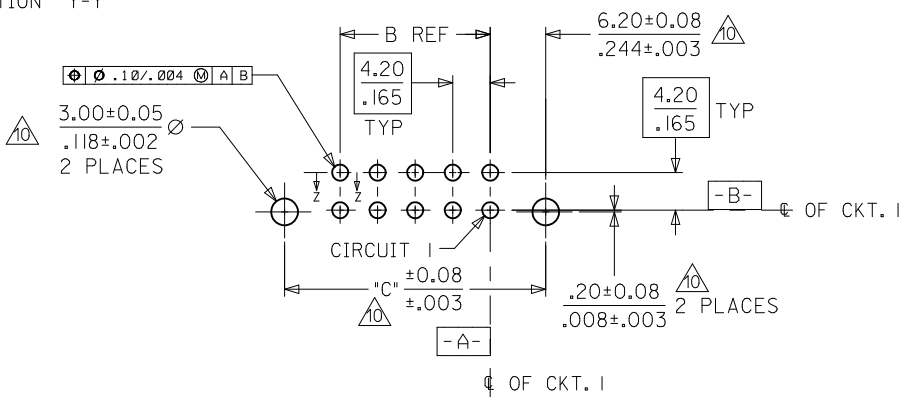


CKT NO.	DIM. "A"	DIM. "B"	DIM. "C"
4	18.81 .740	4.20 .165	16.60 .653
6	23.01 .906	8.40 .331	20.80 .819
8	27.21 1.071	12.60 .496	25.00 .984
10	31.41 1.237	16.80 .661	29.20 1.150
12	35.61 1.402	21.00 .827	33.40 1.315
14	39.81 1.567	25.20 .992	37.60 1.480
16	44.01 1.733	29.40 1.157	41.80 1.646
18	48.21 1.898	33.60 1.323	46.00 1.811
20	52.41 2.063	37.80 1.488	50.20 1.976
22	56.61 2.229	42.00 1.654	54.40 2.142
24	60.81 2.394	46.20 1.819	58.60 2.307

- NOTES:
- MATERIAL: HOUSING: GLASS FILLED NYLON, UL94 V-0, BLACK
TERMINAL: PHOSPHOR BRONZE
BOARD RETENTION CLIP: BRASS
 - TERMINAL FINISH:
1 = 0.00254/.000100 MIN. BRIGHT TIN OVER 0.00127/.000050 MIN. NICKEL OVERALL
2 = 0.00076/.000030 MIN. GOLD IN CONTACT AREA, 0.00254/.000100 MIN. 90/10 MATTE TIN-LEAD IN TAIL AREA OVER 0.00127/.000050 MIN. NICKEL OVERALL
4 = 0.00076/.000030 MIN. GOLD IN CONTACT AREA, 0.00254/.000100 MIN. MATTE TIN IN TAIL AREA OVER 0.00127/.000050 MIN. NICKEL OVERALL
CLIP FINISH: 0.00254/.000100 MIN. MATTE TIN OVER 0.00127/.000050 MIN. NICKEL OVERALL
 - PRODUCT SPECIFICATION: PS-43879-001
 - PARTS ARE TRAY PACKED PER PK-43879-001
 - THIS PART MATES WITH RECEPTACLE NUMBERS 5557 AND 42474 AND HEADER NUMBER 42385.
 - PART ALLOWS FOR 1.27/.050 MAX. MIS-ALIGNMENT WITH MATING HOUSING IN ANY DIRECTION.
DRILLED HOLE DIAMETER IS EQUIVALENT TO 5/64 STANDARD DRILL BIT.
 - CONNECTOR ASSEMBLIES ARE NOT DESIGNED TO BE MATED AND UNMATED WHILE CIRCUITS ARE LIVE.
 - PART IS NOT DESIGNED FOR CURRENT SHARING.
 - DIMENSIONS APPLICABLE TO OPTIONAL BOARD RETENTION CLIPS.
 - PART CONFORMS TO CLASS "B" REQUIREMENTS OF COSMETIC SPECIFICATION PS-45499-002.
 - THIS HEADER REQUIRES A MOLEX INSERTION TOOL (62200-9400) TO PROPERLY INSTALL IT TO THE PCB.



PCB LAYOUT: COMPONENT SIDE
RECOMMENDED PCB THICKNESS: 3.18 ±0.18 / ±.125 ±.007

2	A6
1	A6
SHEET REV	

MODIFIED NOTE 2 EC NO: UCP2010-2444 DRWN: J JAGUILAR 2010/03/23 CHKD: JBEJLL 2007/12/11 APPR: FSM1TH 2010/04/14 A6	QUALITY SYMBOLS ▽=0 ▽=0	GENERAL TOLERANCES (UNLESS SPECIFIED) mm INCH 4 PLACES ± --- ± --- 3 PLACES ± --- ± .010 2 PLACES ± 0.25 ± .014 1 PLACE ± 0.35 ± --- ANGULAR ± 1/2°	DIMENSION STYLE MM/IN DRAWN BY DATE LSCHMIDT 2007/12/11 CHECKED BY DATE ADERR 2007/12/11 APPROVED BY DATE FSM1THROEMER 2007/12/12	SCALE 2:1 DESIGN UNITS METRIC THIRD ANGLE PROJECTION	TITLE VERT. HDR. ASSY, BMI/CPI MF/BL W/ & W/O MTG CLIPS MINI-FIT JR. SERIES MOLEX INCORPORATED
		DRAFT WHERE APPLICABLE MUST REMAIN WITHIN DIMENSIONS	MATERIAL NO. SEE SHEET 2	DOCUMENT NO. SD-43879-071	SHEET NO. 1 OF 2
		THIS DRAWING CONTAINS INFORMATION THAT IS PROPRIETARY TO MOLEX INCORPORATED AND SHOULD NOT BE USED WITHOUT WRITTEN PERMISSION			
		SIZE B			

