

Features

- Generates any Telecom or SyncE frequency independent of the input frequency rate
- Two general purpose synthesizers generate a wide range of digital bus clocks
- Programmable digital PLLs synchronizes to any Telecom ($N * 8 \text{ kHz}$) or any Synchronized Ethernet (SyncE) frequencies.
- Flexible two-stage architecture translates between arbitrary data rates, line coding rates and FEC rates
- Digital PLLs filter jitter from 14 Hz, 28 Hz, 56 Hz, 112 Hz, 224 Hz, 448 Hz or 896 Hz
- Four programmable Numerically Controlled Oscillators (NCOs) available where two NCOs can be used at the time
- Automatic hitless reference switching and digital holdover on reference fail
- Four reference inputs configurable as single ended

Ordering Information

ZL30150GGG	100 Pin LBGA	Trays
ZL30150GGG2	100 Pin LBGA*	Trays

*Pb Free Tin/Silver/Copper
-40°C to +85°C

or differential

- Eight LVPECL outputs and four LVCMOS outputs
- Eight outputs configurable as LVCMOS or LVDS/LVPECL/HCSL
- Operates from a single crystal resonator or clock oscillator
- Configurable via SPI/I2C interface

Applications

- 10 Gigabit line cards
- Synchronous Ethernet, 10 GBASE-R and 10 GBASE-W
- SONET/SDH

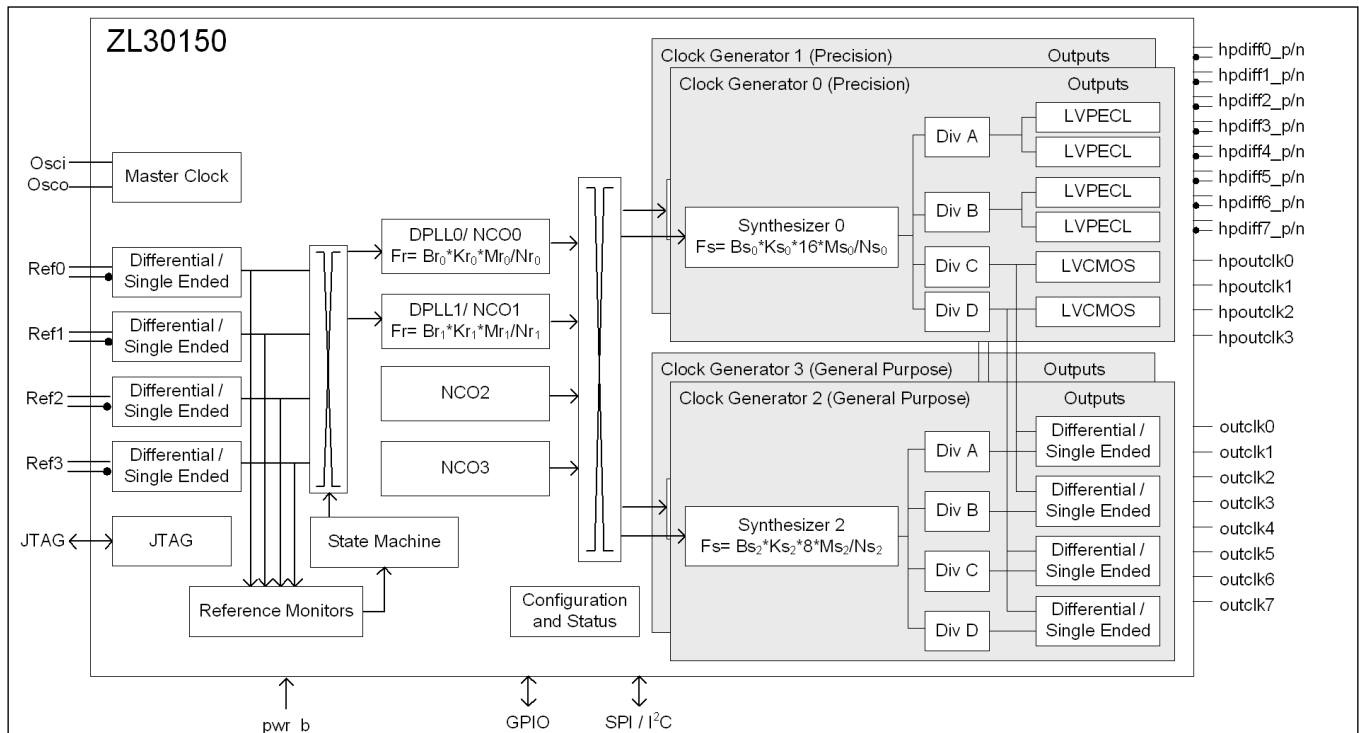
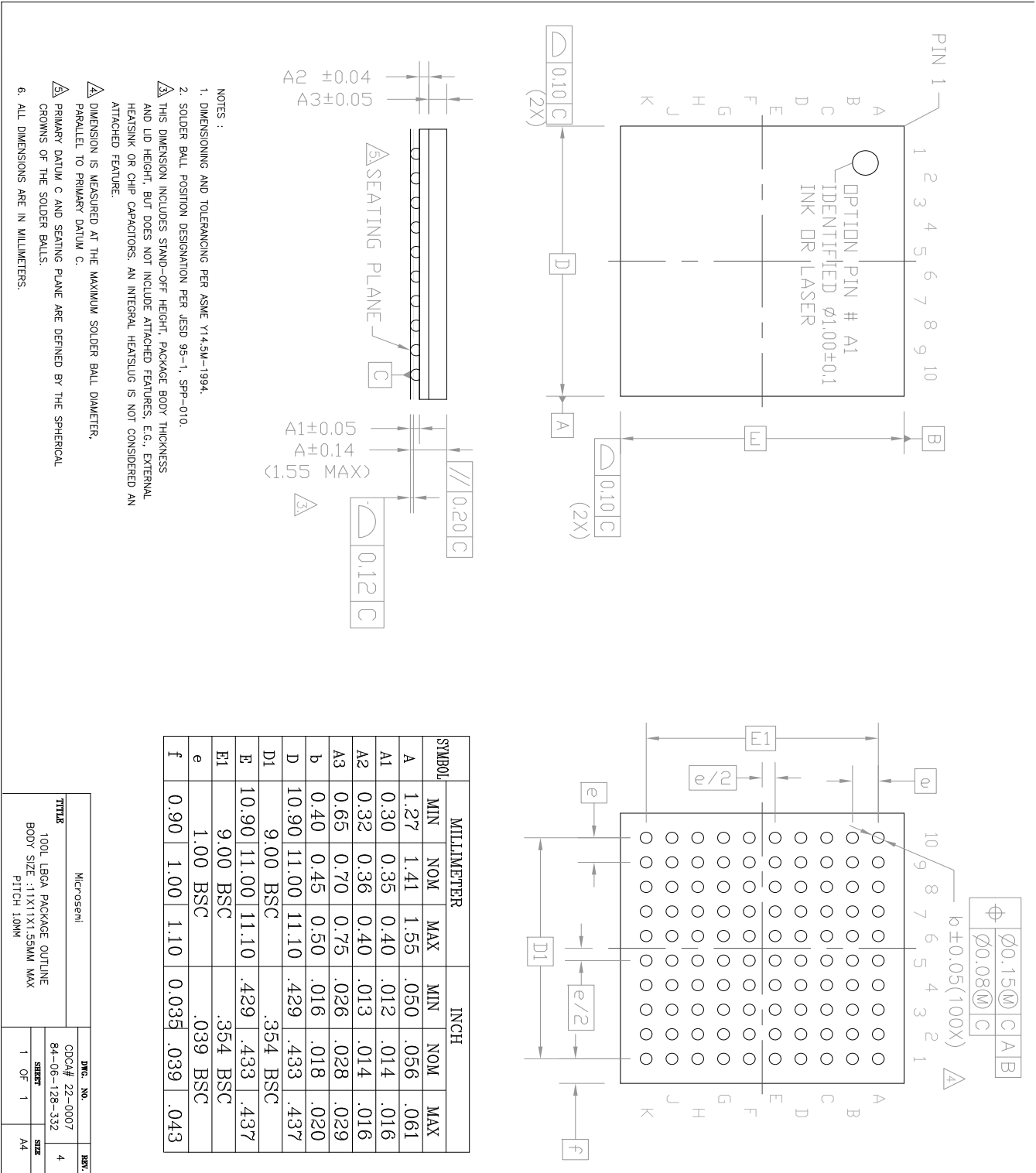


Figure 1 - Functional Block Diagram

Mechanical Drawing



- NOTES :
1. DIMENSIONING AND TOLERANCING PER ASME Y14.5M-1994.
 2. SOLDER BALL POSITION DESIGNATION PER JE5D 95-1, SP-P-010.
 3. THIS DIMENSION INCLUDES STAND-OFF HEIGHT, PACKAGE BODY THICKNESS AND LID HEIGHT, BUT DOES NOT INCLUDE ATTACHED FEATURES, E.G., EXTERNAL HEATSINK OR CHIP CAPACITORS. AN INTEGRAL HEATSLUG IS NOT CONSIDERED AN ATTACHED FEATURE.
 4. DIMENSION IS MEASURED AT THE MAXIMUM SOLDER BALL DIAMETER, PARALLEL TO PRIMARY DATUM C.
 5. PRIMARY DATUM C AND SEATING PLANE ARE DEFINED BY THE SPHERICAL CROOKS OF THE SOLDER BALLS.
 6. ALL DIMENSIONS ARE IN MILLIMETERS.

Microsemi		DRG. NO.		REV.	
TTITLE		CDDA# 22-0007		4	
100L 10GA PACKAGE OUTLINE		84-06-128-332		SIZE	
BODY SIZE : 11X11X1.55MM MAX		1 OF 1		A4	
FITCH 10MM					



**For more information about all Microsemi products
visit our Web Site at**

www.microsemi.com

Information relating to products and services furnished herein by Microsemi Corporation, or its subsidiaries (collectively "Microsemi") is believed to be reliable. However, Microsemi assumes no liability for errors that may appear in this publication, or for liability otherwise arising from the application or use of any such information, product or service or for any infringement of patents or other intellectual property rights owned by third parties which may result from such application or use. Neither the supply of such information or purchase of product or service conveys any license, either express or implied, under patents or other intellectual property rights owned by Microsemi or licensed from third parties by Microsemi, whatsoever. Purchasers of products are also hereby notified that the use of product in certain ways or in combination with Microsemi, or non-Microsemi furnished goods or services may infringe patents or other intellectual property rights owned by Microsemi.

This publication is issued to provide information only and (unless agreed by Microsemi in writing) may not be used, applied or reproduced for any purpose nor form part of any order or contract nor to be regarded as a representation relating to the products or services concerned. The products, their specifications, services and other information appearing in this publication are subject to change by Microsemi without notice. No warranty or guarantee express or implied is made regarding the capability, performance or suitability of any product or service. Information concerning possible methods of use is provided as a guide only and does not constitute any guarantee that such methods of use will be satisfactory in a specific piece of equipment. It is the user's responsibility to fully determine the performance and suitability of any equipment using such information and to ensure that any publication or data used is up to date and has not been superseded. Manufacturing does not necessarily include testing of all functions or parameters. These products are not suitable for use in any medical products whose failure to perform may result in significant injury or death to the user. All products and materials are sold and services provided subject to Microsemi's conditions of sale which are available on request.

Purchase of Microsemi's I2C components conveys a license under the Philips I2C Patent rights to use these components in and I2C System, provided that the system conforms to the I2C Standard Specification as defined by Philips.

Microsemi, ZL, the Microsemi Corporation logo and the Legerity logo and combinations thereof, VoiceEdge, VoicePort, SLAC, ISLIC, ISLAC and VoicePath are trademarks of Microsemi Corporation.

TECHNICAL DOCUMENTATION - NOT FOR RESALE