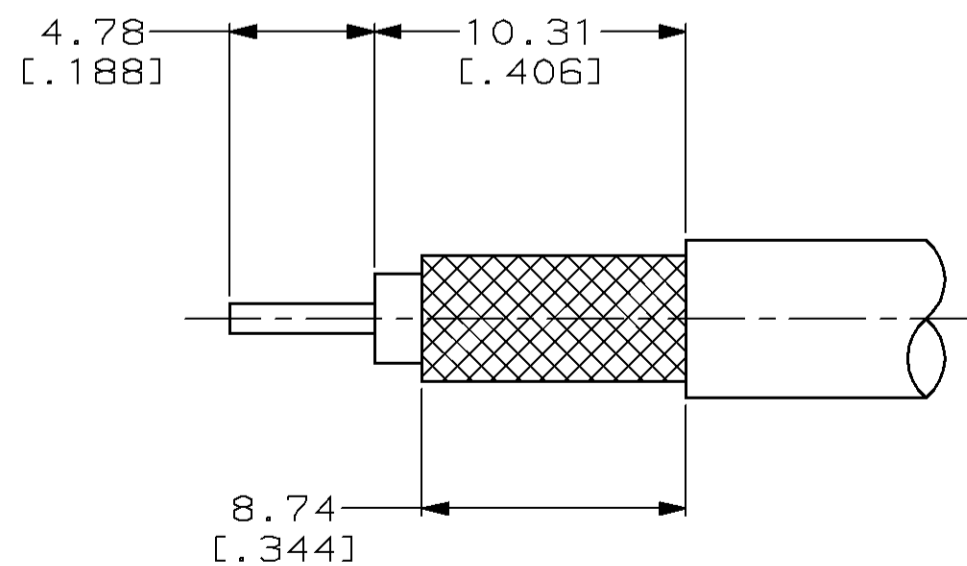
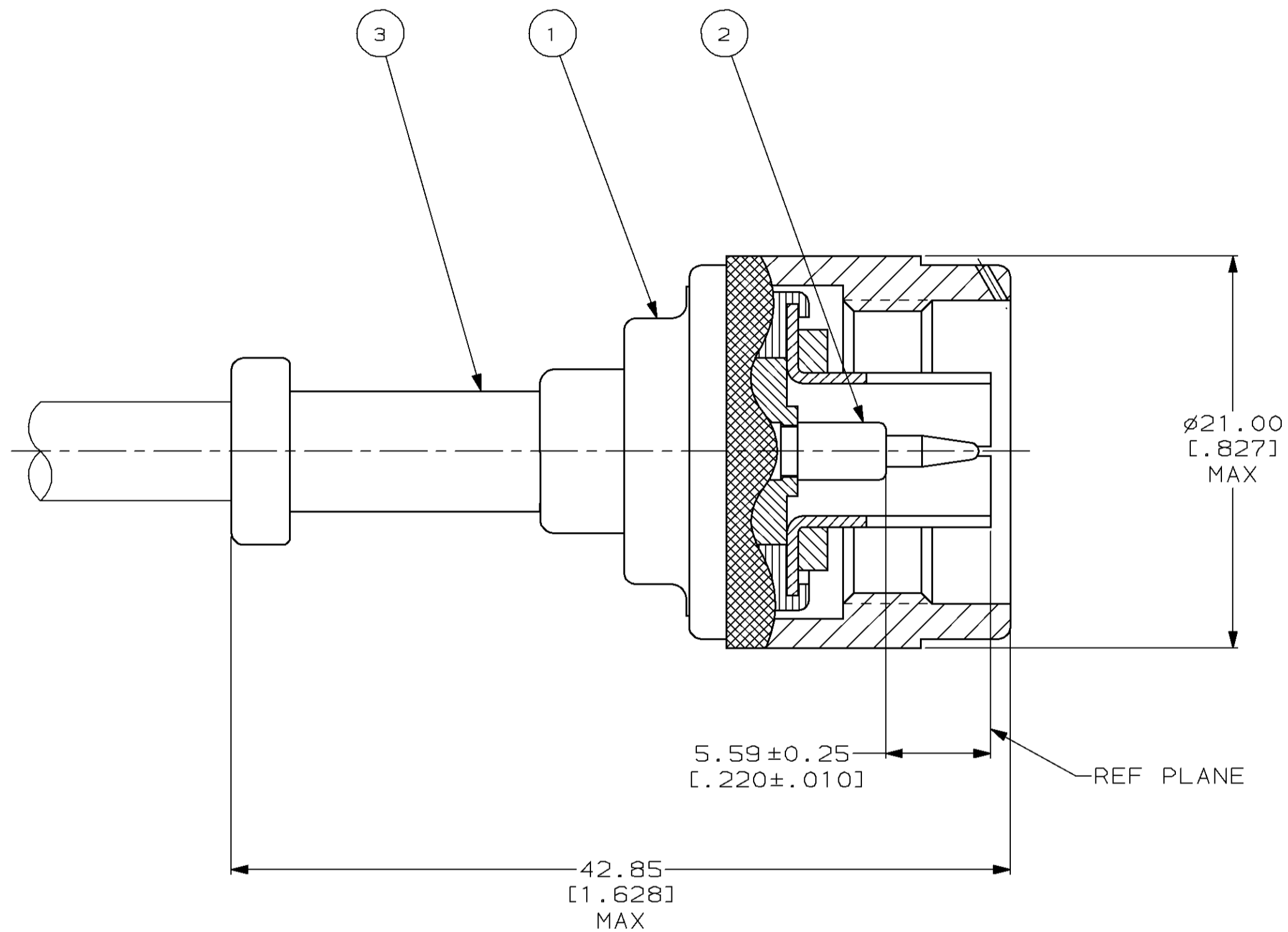


THIS DRAWING IS UNPUBLISHED. RELEASED FOR PUBLICATION
 © COPYRIGHT 19 BY AMP INCORPORATED. ALL RIGHTS RESERVED.

LOC		DIST		REVISIONS			
P	LTR	DESCRIPTION	DATE	DWN	APVD		
AJ	16	0	REDRAWN & REVISED PER 0503-0694-97	12NOV97	BM SB		

1. PARTS PACKAGED UNASSEMBLED.
2. FOR USE WITH RG-142/U, -142A/U, & -142B/U CABLE.
3. USE HAND TOOL PART NUMBER 220045-2 TO CRIMP.
4. SEE INSTRUCTION SHEET 2028-1 FOR CRIMPING INSTRUCTIONS.



RECOMMENDED STRIP LENGTHS

225560-7	225343-4	225412-3	225699-1
③ FERRULE QTY=1	② CONTACT QTY=1	① PLUG ASSY QTY=1	PART NUMBER

THIS DRAWING IS A CONTROLLED DOCUMENT.		DWN B. MOYER 25OCT97	AMP Incorporated Harrisburg, PA 17105-3608	
DIMENSIONS: mm [INCHES]		CHK S. BURKHOLDER 12NOV97		
TOLERANCES UNLESS OTHERWISE SPECIFIED:		APVD S. BURKHOLDER 12NOV97		
0 PLC ±-	1 PLC ±-	PRODUCT SPEC	PLUG, WEATHERPROOF, N SERIES	
2 PLC ±0.41 [0.016]	3 PLC ±-	APPLICATION SPEC	SIZE A2	CAGE CODE 00779
4 PLC ±-	ANGLES ±-	FINISH	DRAWING NO C-225699	RESTRICTED TO
MATERIAL	FINISH	WEIGHT	SCALE 4:1	SHEET 1 OF 1
CUSTOMER DRAWING			REV A	