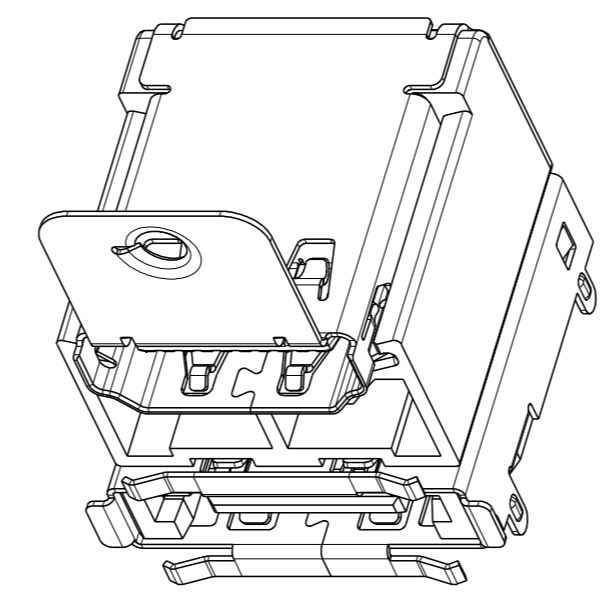
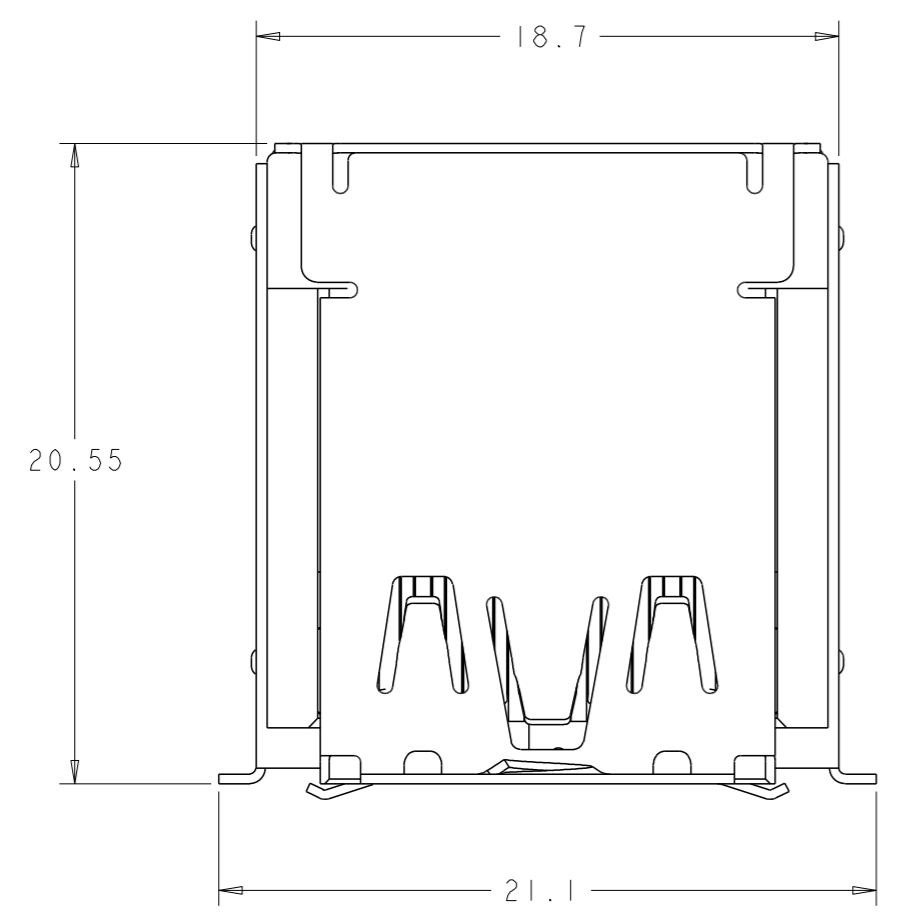
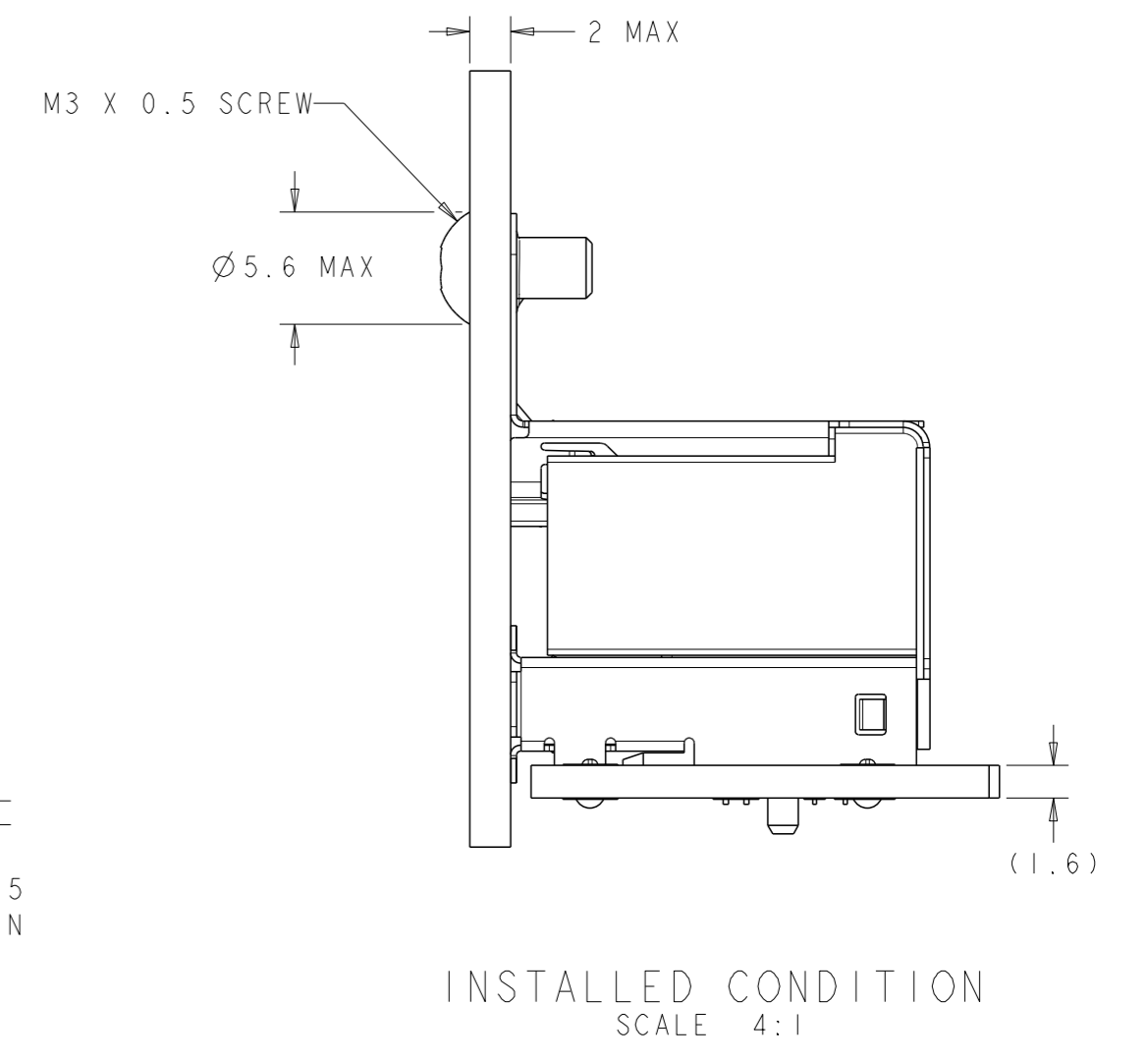
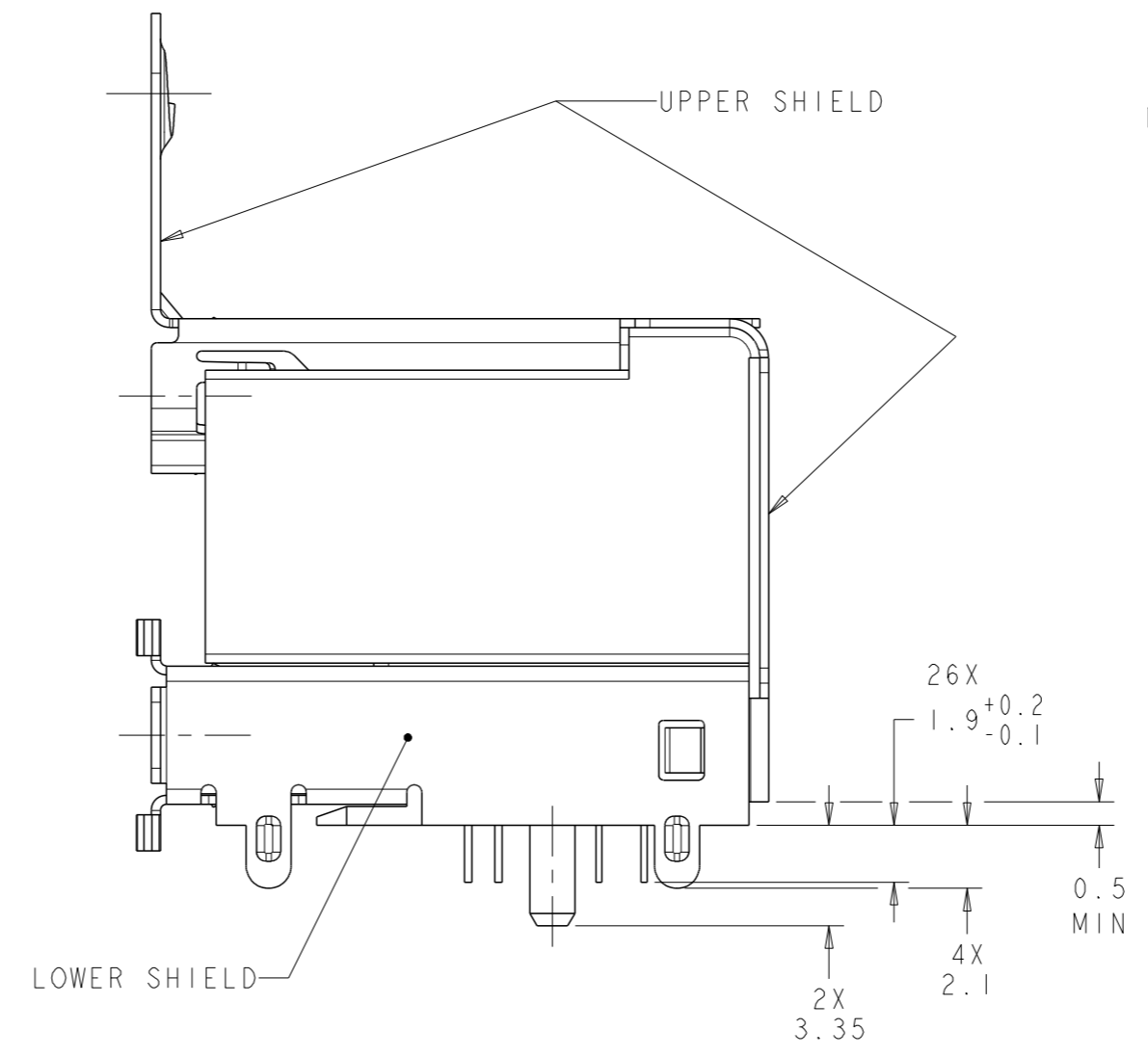
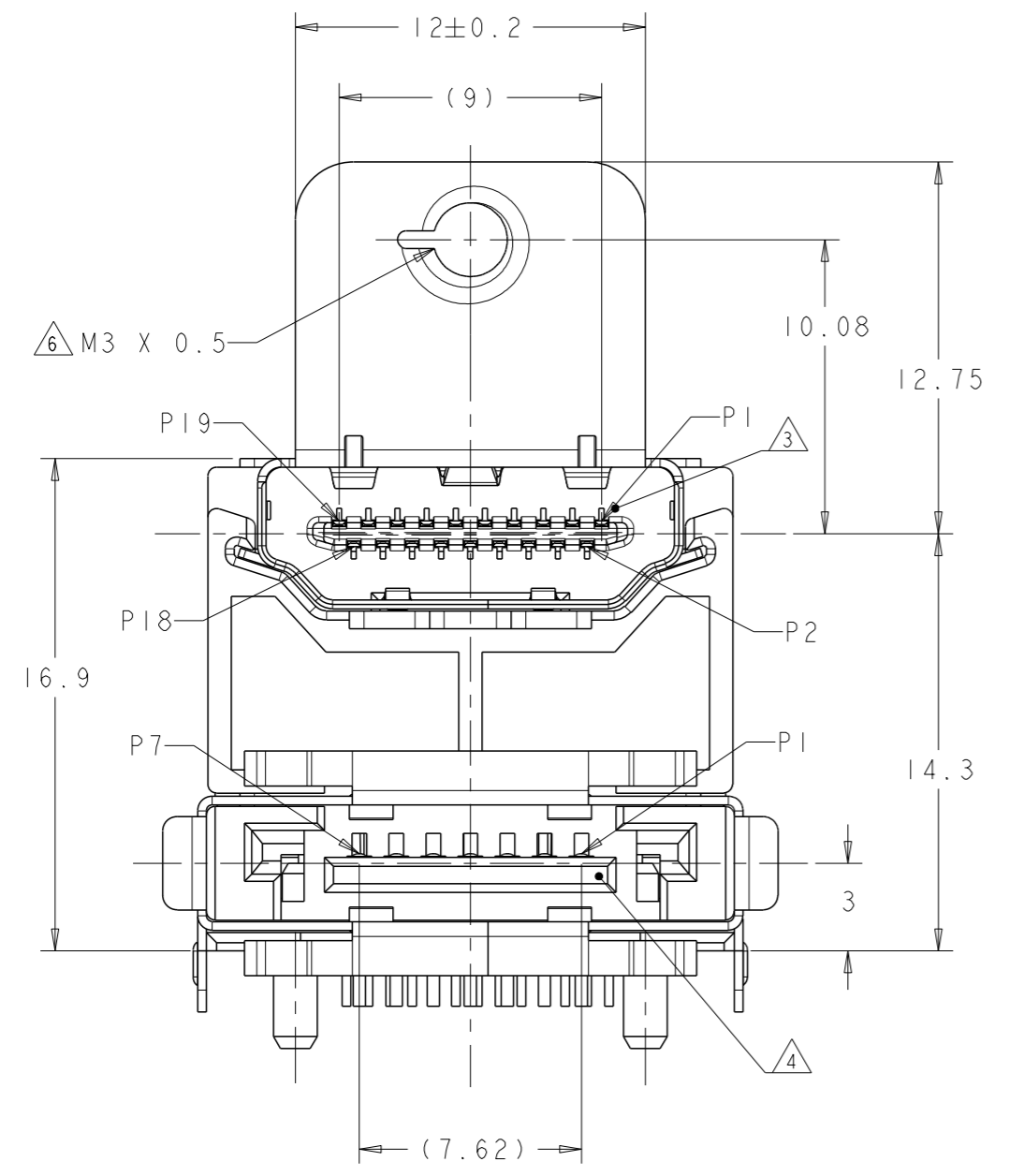


LOC		DIST		REVISIONS				
GP	00	P	LYR	DESCRIPTION	DATE	OWN	APVD	
		F		REVISED PER ECO-08-030380	05DEC08	JDP	SLB	
		G		OBSOLETE PER ECO-12-000957	16JAN2012	F.L	S.Y	



SCALE 4:1

- △ MATERIALS:
 HOUSING: HIGH TEMP THERMOPLASTIC, UL94V-0, BLACK.
 CONTACTS: COPPER ALLOY
 SHIELDS: STAINLESS STEEL
- △ FINISH:
 CONTACTS:
 GOLD FLASH OVER
 PALLADIUM-NICKEL PLATE, 0.3µm MIN TOTAL ON THE MATING SURFACE,
 2µm MIN TIN PLATE ON THE SOLDER-TAIL,
 2µm MIN NICKEL UNDERPLATE ON THE ENTIRE CONTACT.
 OR
 0.3µm MIN GOLD PLATE ON THE MATING SURFACE,
 2µm MIN TIN PLATE ON THE SOLDER-TAIL,
 2µm MIN NICKEL UNDERPLATE ON THE ENTIRE CONTACT.
- LOWER SHIELD:
 0.75µm MIN TIN OVER
 0.8µm MIN NICKEL UNDERPLATE
- △ INTERFACE DIMENSIONS ARE PER HDMI SPECIFICATION VERSION 1.3a.
- △ INTERFACE DIMENSIONS ARE PER SERIAL ATA REVISION 2.5.
- 5. WAVE SOLDER COMPATIBLE PER 109-202, CONDITION B,
 NO CLEAN FLUX IS RECOMMENDED.
- △ APPLIED TORQUE MUST NOT EXCEED 4 kg-cm (3.47 in-lbs).

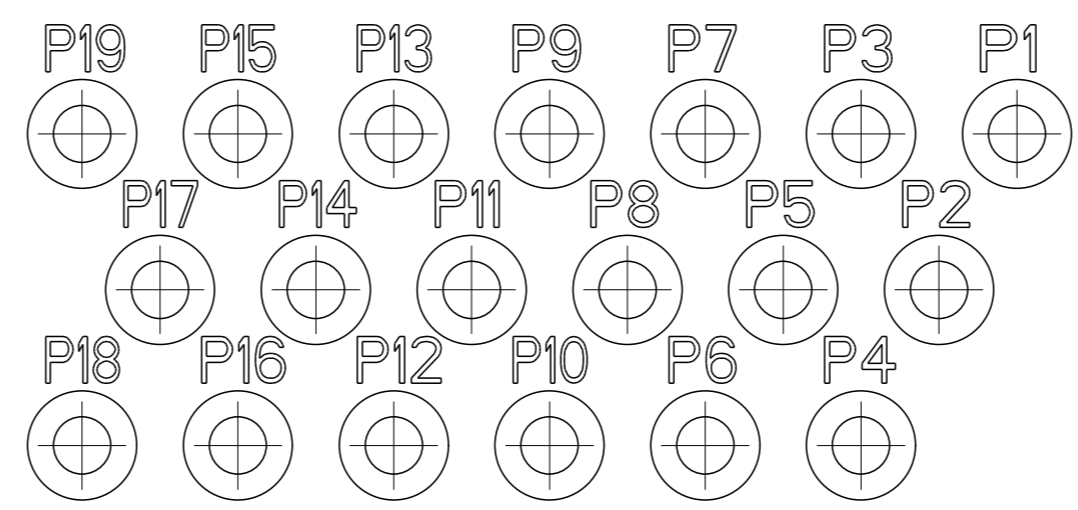


INSTALLED CONDITION
 SCALE 4:1

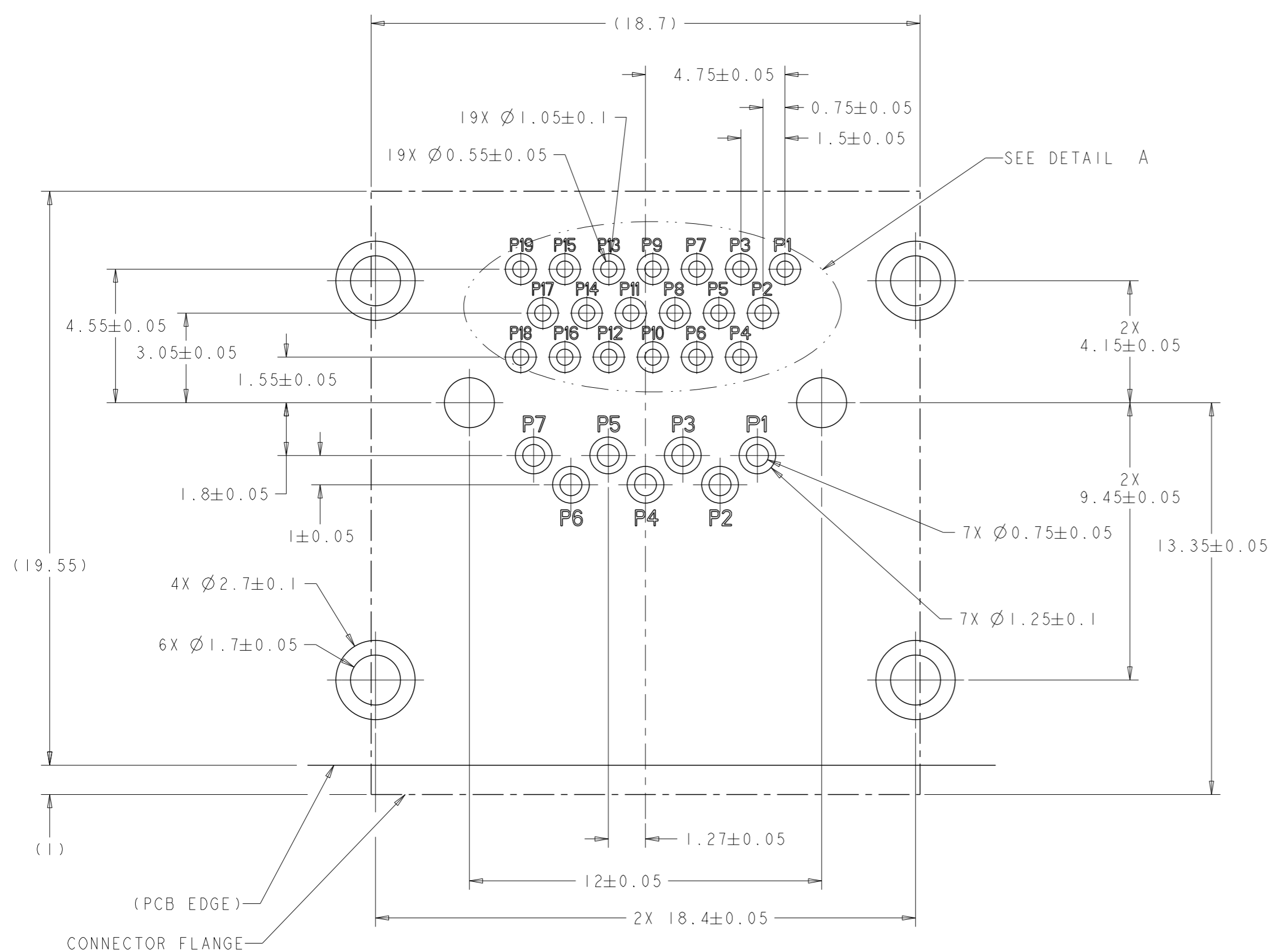
Ⓞ OBSOLETE 1888540-1
 PART NO

THIS DRAWING IS A CONTROLLED DOCUMENT.		OWN HAMNER	29JUN2006	TE Connectivity
DIMENSIONS: mm		CHK J. McCLELLAN	29JUN2006	
TOLERANCES UNLESS OTHERWISE SPECIFIED:		APVD J. McCLELLAN	29JUN2006	NAME HDMI/E-SATA STACKED CONNECTOR ASSEMBLY
0 PLC ±0.3	1 PLC ±0.3	PRODUCT SPEC		
2 PLC ±0.3	3 PLC ±0.3	APPLICATION SPEC		SIZE CASE CODE DRAWING NO
4 PLC ±0.3	ANGLES ±2°	FINISH		RESTRICTED TO
MATERIAL		WEIGHT	A100779	SCALE 6:1 SHEET 1 OF 2 REV G
		CUSTOMER DRAWING	©=1888540	

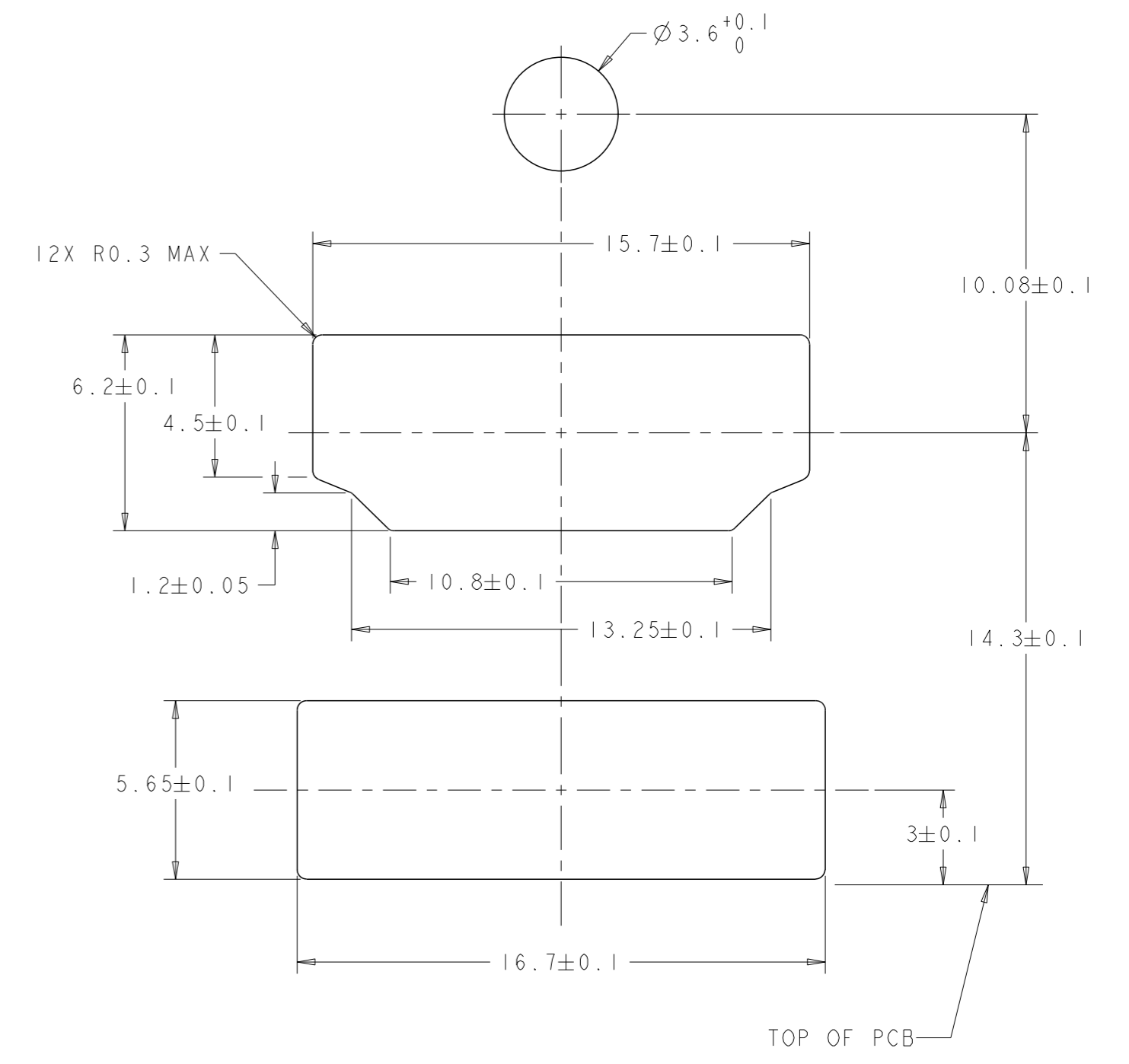
LOC	DIST	REVISIONS					
GP	00	P	LTR	DESCRIPTION	DATE	OWN	APVD
		-	-	SEE SHEET 1	-	-	-



DETAIL A
SCALE 20:1



PCB LAYOUT
SHOWN FROM CONNECTOR SIDE
TOLERANCES ARE NON-CUMULATIVE
SCALE 10:1



RECOMMENDED PANEL CUTOUT
SCALE 8:1

THIS DRAWING IS A CONTROLLED DOCUMENT.		OWN HAMNER	29JUN2006	TE TE Connectivity
DIMENSIONS: mm		CHK McCLELLAN	29JUN2006	
TOLERANCES UNLESS OTHERWISE SPECIFIED:		APVD McCLELLAN	29JUN2006	NAME HDMI/E-SATA STACKED CONNECTOR ASSEMBLY
0 PLC ±0.3		PRODUCT SPEC		
1 PLC ±0.3		APPLICATION SPEC		SIZE CASE CODE DRAWING NO A100779C=1888540
2 PLC ±0.3		RESTRICTED TO		
3 PLC ±0.3		WEIGHT		SCALE 6:1 SHEET 2 OF 2 REV G
4 PLC ±0.3		CUSTOMER DRAWING		
ANGLES ±2°				
MATERIAL				
FINISH				