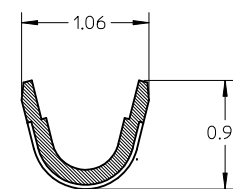
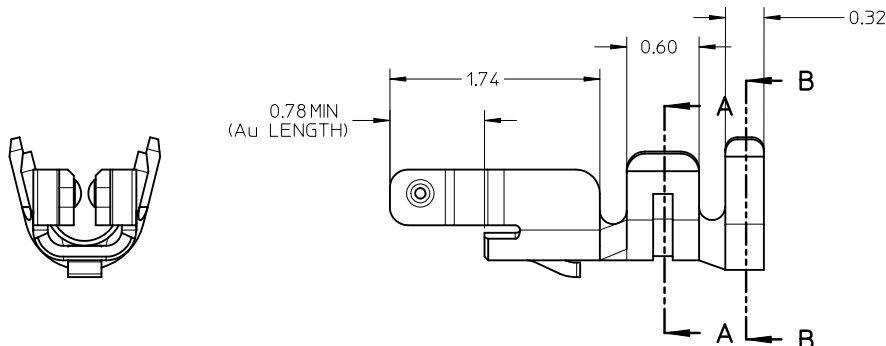
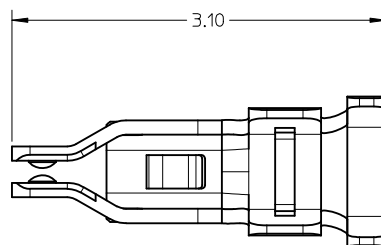
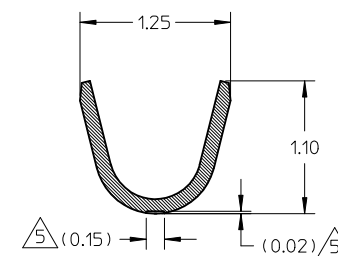


PART NUMBER

78172-0410
(REEL FORM)



SECTION A-A
(CONDUCTOR BARREL)



SECTION B-B
(INSULATION BARREL)

NOTES:

1. MATERIAL: COPPER ALLOY
2. PLATING : GOLD 0.14μm MIN. OVER 1.04μm MIN. NICKEL OVERALL
3. TERMINAL TO BE USED WITH MOLEX HOUSING PART NO : 78172-00**
4. TERMINAL TO BE USED WITH WIRE AWG#28, AWG#30
5. OPTIONAL TOOL MARK FOR TOOL RECOGNITION PURPOSE
6. REFER TO CRIMPING SPECIFICATION CS-78172-013
7. APPLICABLE WIRE INSULATION DIAMETER AS REFERENCE

WIRE	INSULATION DIA. (mm)
AWG# 28	0.50~0.70
AWG# 30	

REVISED EC NO: J2011-0660 DRW: CWLAM 2010/11/08 CHKD: NUKITA APPR: NUKITA 2011/04/05	GENERAL TOLERANCES (UNLESS SPECIFIED)		DIMENSION STYLE MM ONLY	SCALE 20:1	DESIGN UNITS METRIC	THIRD ANGLE PROJECTION	
	10 UNDER	± 0.30	DRAWN BY CWLAM	DATE 2007/11/05	TITLE 1.20MM PITCH, W-T-B RECEPTACLE CONNECTOR TERMINAL		
	10 OVER 30 UNDER	± ---	CHECKED BY KSSHANTHA	DATE 2007/12/07	MOLEX INCORPORATED		
	30 OVER	± ---	APPROVED BY NAGESGKN	DATE 2007/12/07	DOCUMENT NO. SD-78172-008	SHEET NO. 1 OF 3	
ANGULAR ±1° DRAFT WHERE APPLICABLE MUST REMAIN WITHIN DIMENSIONS	SEE TABLE		THIS DRAWING CONTAINS INFORMATION THAT IS PROPRIETARY TO MOLEX INCORPORATED AND SHOULD NOT BE USED WITHOUT WRITTEN PERMISSION				

10 9 8 7 6 5 4 3 2 1

F

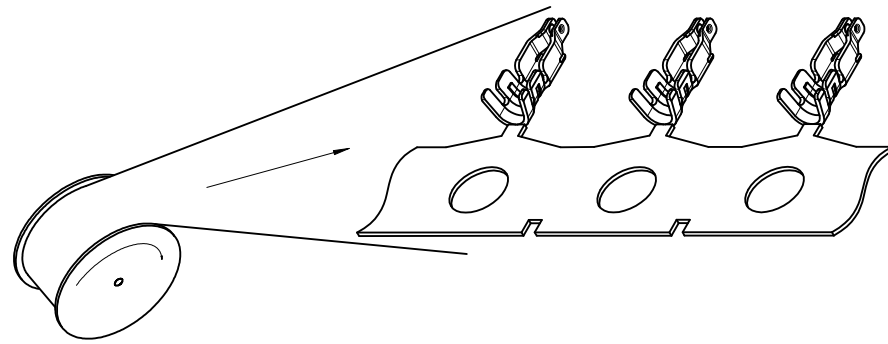
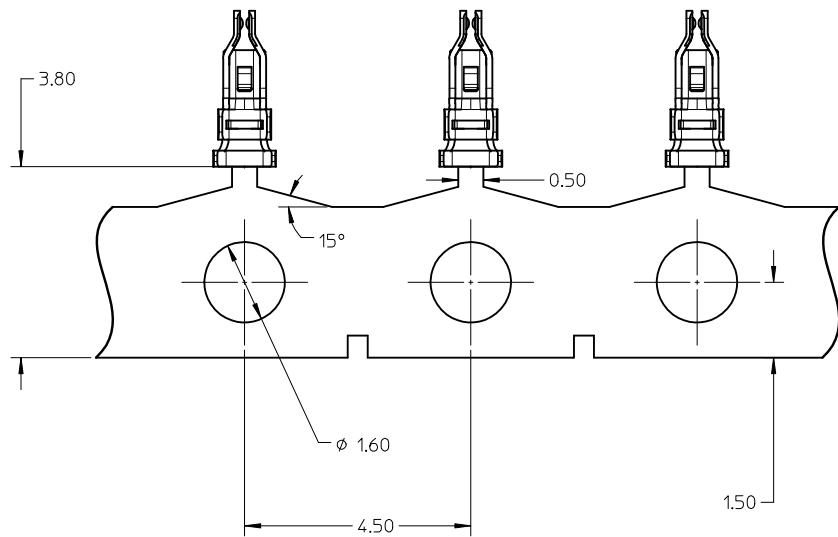
E

D

C

B

A

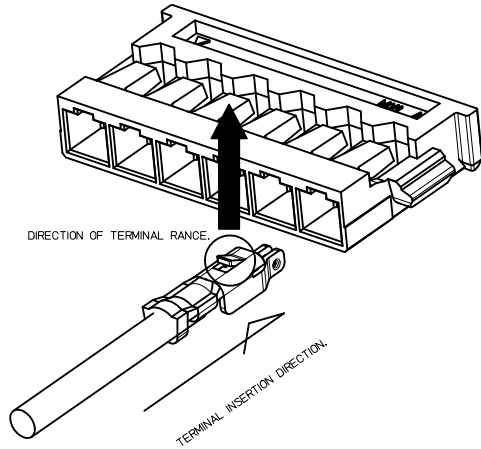


CUSTOMER PULL OUT DIRECTION

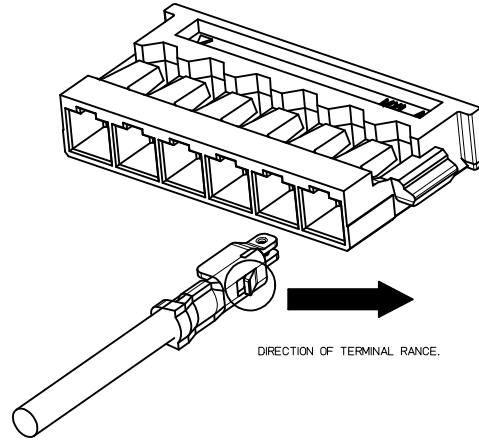
REVISED EC NO: J2011-0660 DRWN: C/LAM CHKD: APPR: NUK/ITA	2010/11/08 2011/04/05	GENERAL TOLERANCES (UNLESS SPECIFIED)		DIMENSION STYLE MM ONLY	SCALE 1:1	DESIGN UNITS METRIC	THIRD ANGLE PROJECTION	
		10 UNDER	± 0.30	DRAWN BY C/LAM	DATE 2007/11/05	TITLE 1.20MM PITCH, W-T-B RECEPTACLE CONNECTOR TERMINAL		
		10 OVER 30 UNDER	± ---	CHECKED BY KSSHANTHA	DATE 2007/12/07	MOLEX INCORPORATED		
		30 OVER	± ---	APPROVED BY NAGESGKN	DATE 2007/12/07	DOCUMENT NO. SD-78172-008	SHEET NO. 2 OF 3	
ANGULAR ±1 °		DRAFT WHERE APPLICABLE MUST REMAIN WITHIN DIMENSIONS		SIZE A3	THIS DRAWING CONTAINS INFORMATION THAT IS PROPRIETARY TO MOLEX INCORPORATED AND SHOULD NOT BE USED WITHOUT WRITTEN PERMISSION			

TERMINAL INSERTION DIRECTION.

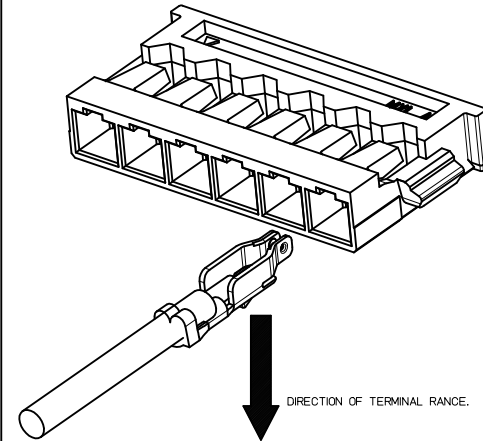
NOTE THE DIRECTION OF THE TERMINAL RANGE WHEN THE TERMINAL ENTERS THE HOUSING. (REFER TO THE BELOW FIGURE.)
6 CKTS SHOWN AS ILLUSTRATION PURPOSE ONLY.



CORRECT



WRONG



WRONG

REVISED EC NO: J2011-0660 DRWN: CWLAM 2010/11/08 CHKD: APPR: NUKITA 2011/04/05	GENERAL TOLERANCES (UNLESS SPECIFIED)		DIMENSION STYLE MM ONLY	SCALE 20:1	DESIGN UNITS METRIC	THIRD ANGLE PROJECTION
	10 UNDER	± 0.30	DRAWN BY CWLAM	DATE 2007/11/05	TITLE 1.20MM PITCH, W-T-B RECEPTACLE CONNECTOR TERMINAL	
	10 OVER 30 UNDER	± ---	CHECKED BY KSSHANTHA	DATE 2007/12/07		
	30 OVER	± ---	APPROVED BY NAGESGKN	DATE 2007/12/07	MOLEX INCORPORATED DOCUMENT NO. SD-78172-008 SHEET NO. 3 OF 3	
	ANGULAR ±1 °		MATERIAL NO. SEE TABLE			
DRAFT WHERE APPLICABLE MUST REMAIN WITHIN DIMENSIONS		SIZE A3	THIS DRAWING CONTAINS INFORMATION THAT IS PROPRIETARY TO MOLEX INCORPORATED AND SHOULD NOT BE USED WITHOUT WRITTEN PERMISSION			