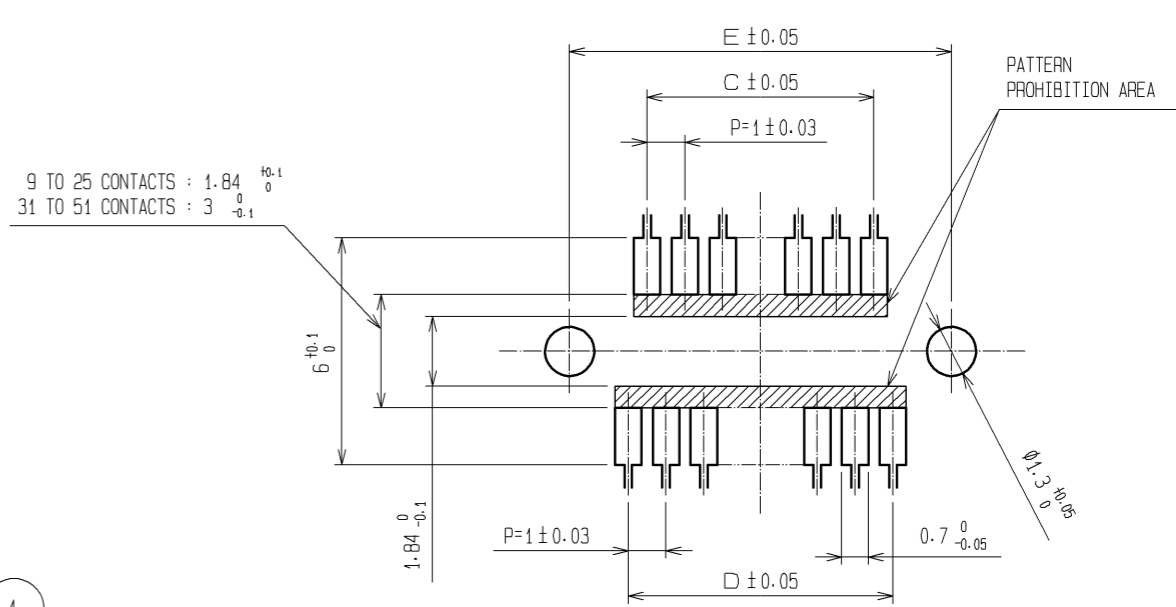


RECOMMENDED PATTERN



PART No.	CODE No.	NUMBER OF CONTACTS	A	B	C	D	E
DF9A-9S-1V(69)	-	9	8.3	6.5	3	4	7.1
DF9A-11S-1V(69)	-	11	9.3	7.5	4	5	8.1
DF9A-13S-1V(69)	CL540-0006-7-69	13	10.3	8.5	5	6	9.1
DF9A-15S-1V(69)	CL540-0007-0-69	15	11.3	9.5	6	7	10.1
DF9A-17S-1V(69)	-	17	12.3	10.5	7	8	11.1
DF9A-19S-1V(69)	-	19	13.3	11.5	8	9	12.1
DF9A-21S-1V(69)	CL540-0010-4-69	21	14.3	12.5	9	10	13.1
DF9A-23S-1V(69)	-	23	15.3	13.5	10	11	14.1
DF9A-25S-1V(69)	CL540-0012-0-69	25	16.3	14.5	11	12	15.1
DF9A-31S-1V(69)	CL540-0013-2-69	31	19.3	17.5	14	15	18.1
DF9A-41S-1V(69)	CL540-0222-2-69	41	24.3	22.5	19	20	23.1
DF9A-51S-1V(69)	CL540-0014-5-69	51	29.3	27.5	24	25	28.1

NOTES 1 : LEAD CO-PLANARITY INCLUDE REINFORCED METAL FITTINGS SHALL BE 0.1mm MAX.
 2 HRS MARK AND CAV NO. ARE INDICATED IN APPROX POSITION SHOWN.
 3 9 TO 25 CONTACT CONNECTORS HAVE ONE LOCK AT CENTER OF HOUSING.
 31 TO 51 CONTACT CONNECTORS HAVE TWO LOCKS AS PER DRAWING.

NO.	MATERIAL	FINISH . REMARKS	NO.	MATERIAL	FINISH . REMARKS
2	PHOSPHOR BRONZE	CONTACT AREA:GOLD PLATED 0.2μm min LEAD AREA:TIN PLATED 1μm min UNDER PLATING:NICKEL 0.3μm min	7	PS	REINFORCEMENT COLLAR
			6	PS	BLACK(PLASTIC REEL)
			5	POLYIMIDE	BROWN(HEAT-RESISTANCE TAPE)
			4	POLYESTER	CLEAR(COVER TAPE)
1	POLYAMIDE	BEIGE. UL94V-0	3	PS	CLEAR(EMBOSSED CARRIER TAPE)

UNITS	SCALE	COUNT	DESCRIPTION OF REVISIONS	DESIGNED	CHECKED	DATE
mm	5 : 1	△				

APPROVED : KH. IKEDA	12.01.16	DRAWING NO.	EDC3-162417-03
CHECKED : AR. TAKAHASHI	12.01.16	PART NO.	DF9A-*S-1V(69)
DESIGNED : SH. HOSODA	12.01.16	CODE NO.	CL540-
DRAWN : KR. AJITO	12.01.16		

