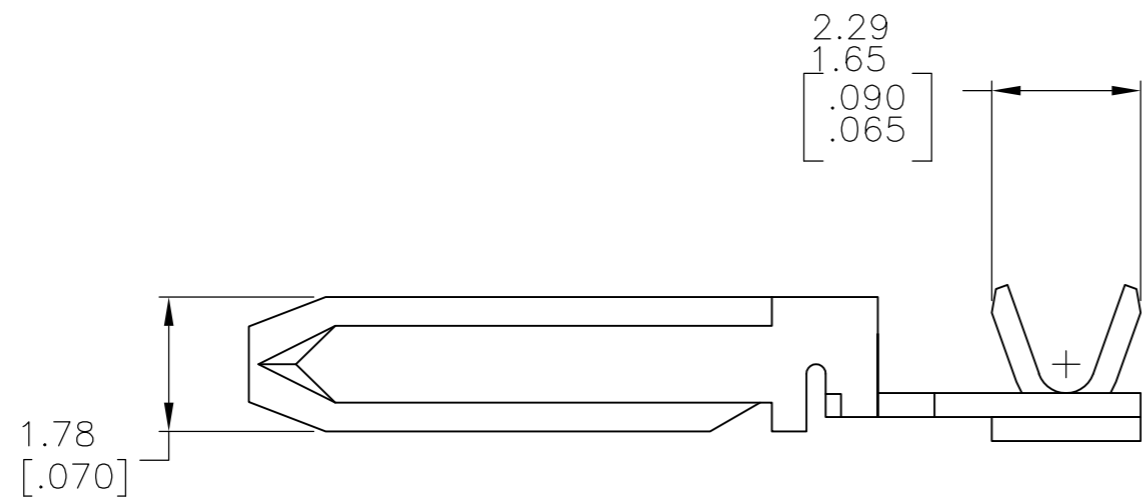
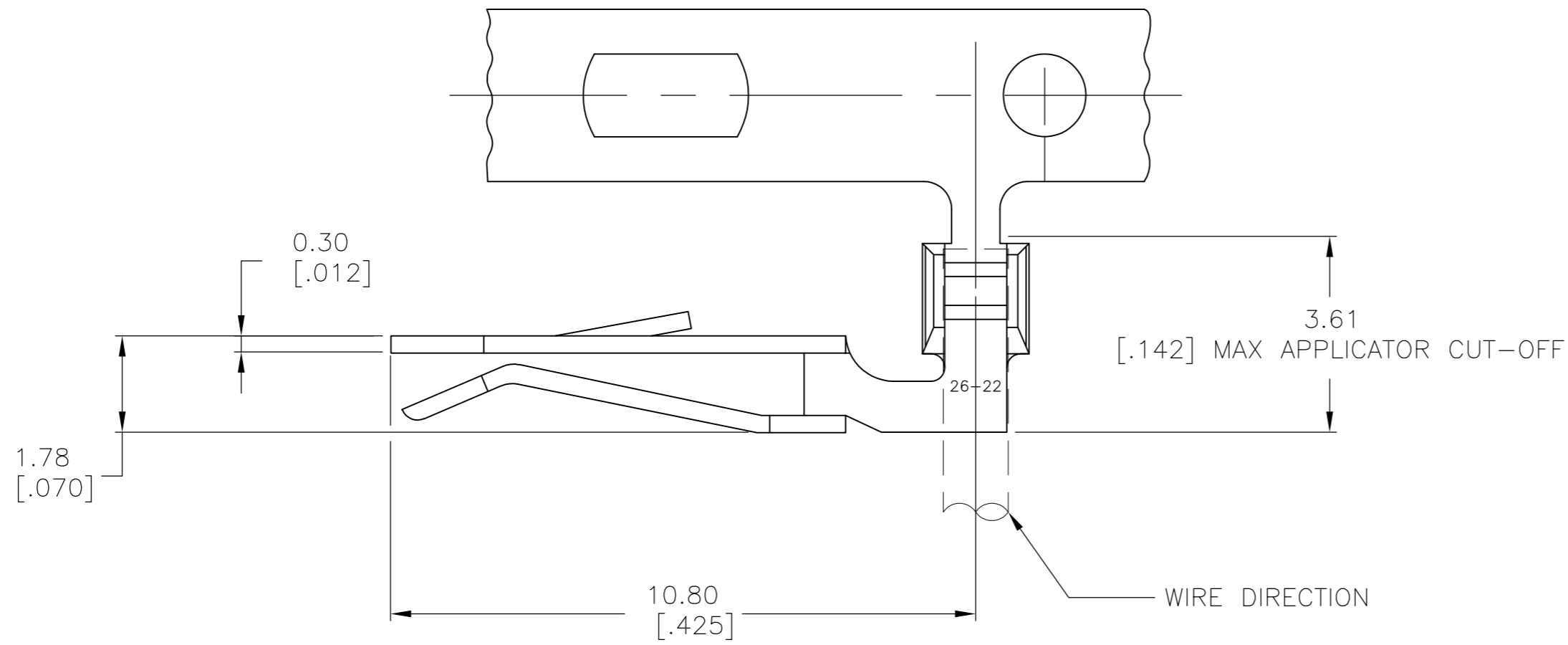


THIS DRAWING IS UNPUBLISHED. RELEASED FOR PUBLICATION
 © COPYRIGHT BY TYCO ELECTRONICS CORPORATION. ALL RIGHTS RESERVED.

LOC	DIST	REVISIONS			
P	LTR	DESCRIPTION	DATE	DWN	APVD
CM	0	H	REVISED PER ECO-07-010173	01MAY07	KW DB

1. DIMENSION IN BRACKET ARE IN INCHES.
2. WIRE RANGE: 26-22 AWG (0.12-0.4 mm²)



	TIN	640708-2
SUPERSEDED BY 640708-2	TIN-LEAD	640708-1
	FINISH	PART NO

THIS DRAWING IS A CONTROLLED DOCUMENT.		DWN	B. LEWIS	23JAN92	Tyco Electronics Corporation Harrisburg, PA 17105-3608					
DIMENSIONS: mm [INCHES]		CHK	R. SWING	23JAN92						
TOLERANCES UNLESS OTHERWISE SPECIFIED:		APVD	G. MILLER	23JAN92						
0 PLC ± - 1 PLC ± - 2 PLC ± - 3 PLC ± 0.25[.010] 4 PLC ± - ANGLES ± -		PRODUCT SPEC	NAME			CONTACT, CRIMP SNAP-IN, MTA-100				
MATERIAL		APPLICATION SPEC	-		SIZE	CAGE CODE	DRAWING NO	RESTRICTED TO		
0.30[.012] THK COPPER ALLOY		FINISH	0.00203[.000080] THK MATTE TIN		WEIGHT	A2 00779 C-640708		-		
CUSTOMER DRAWING					SCALE	10:1	SHEET	1 OF 1	REV	H

