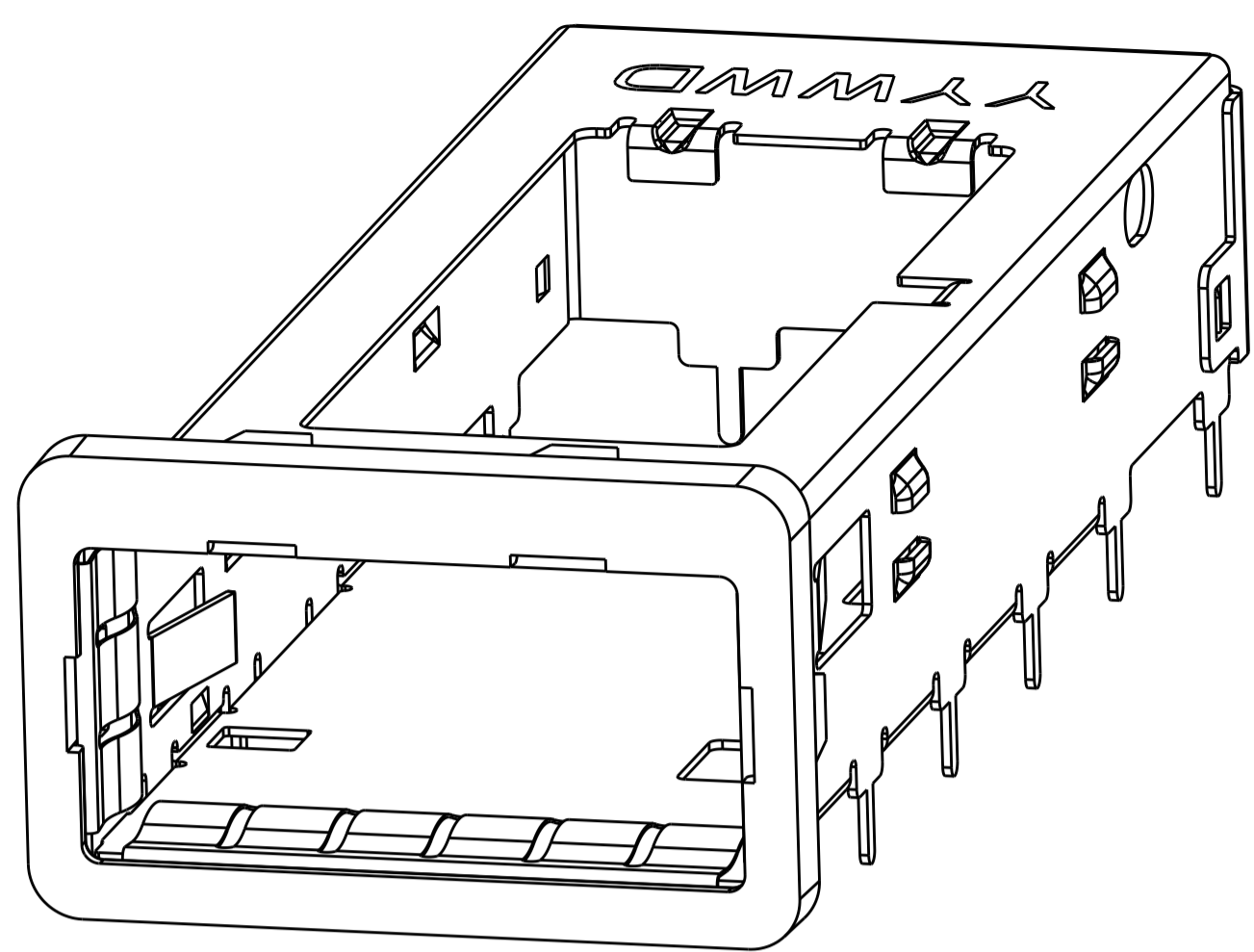
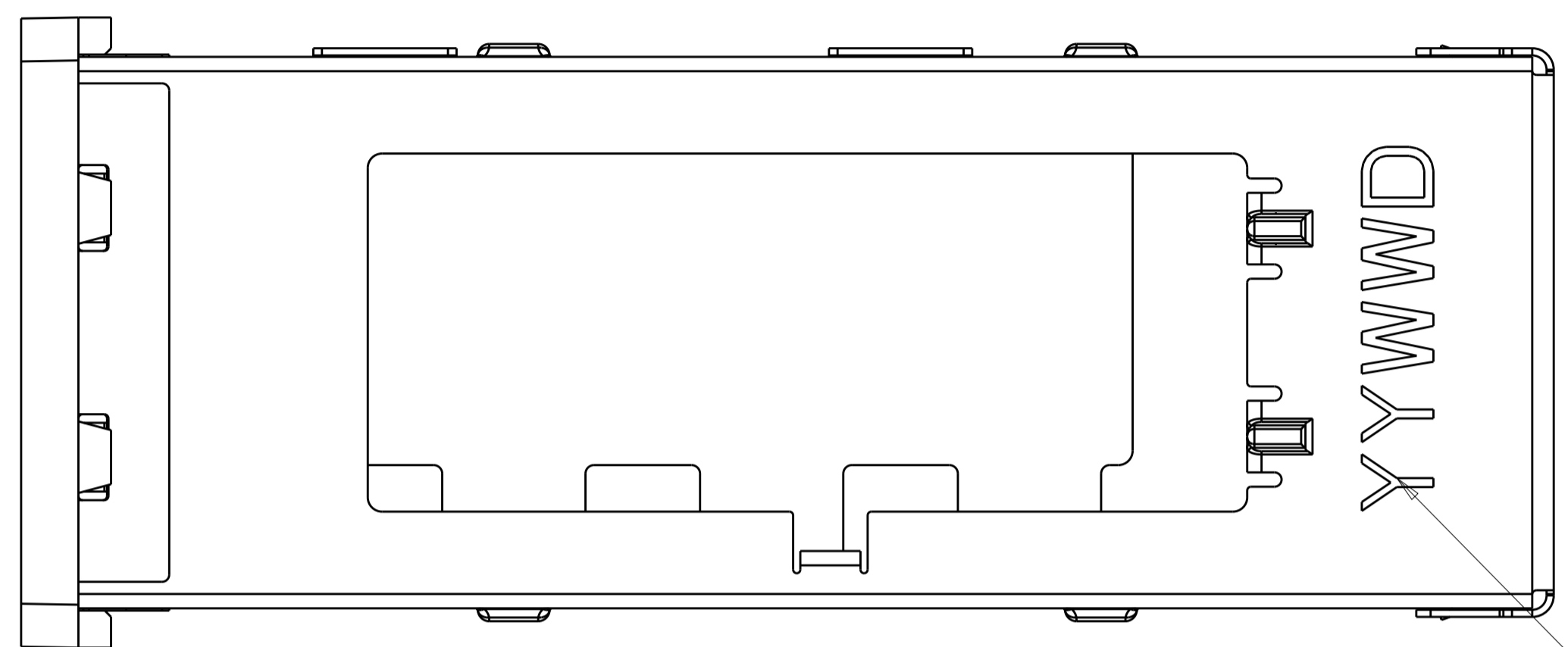


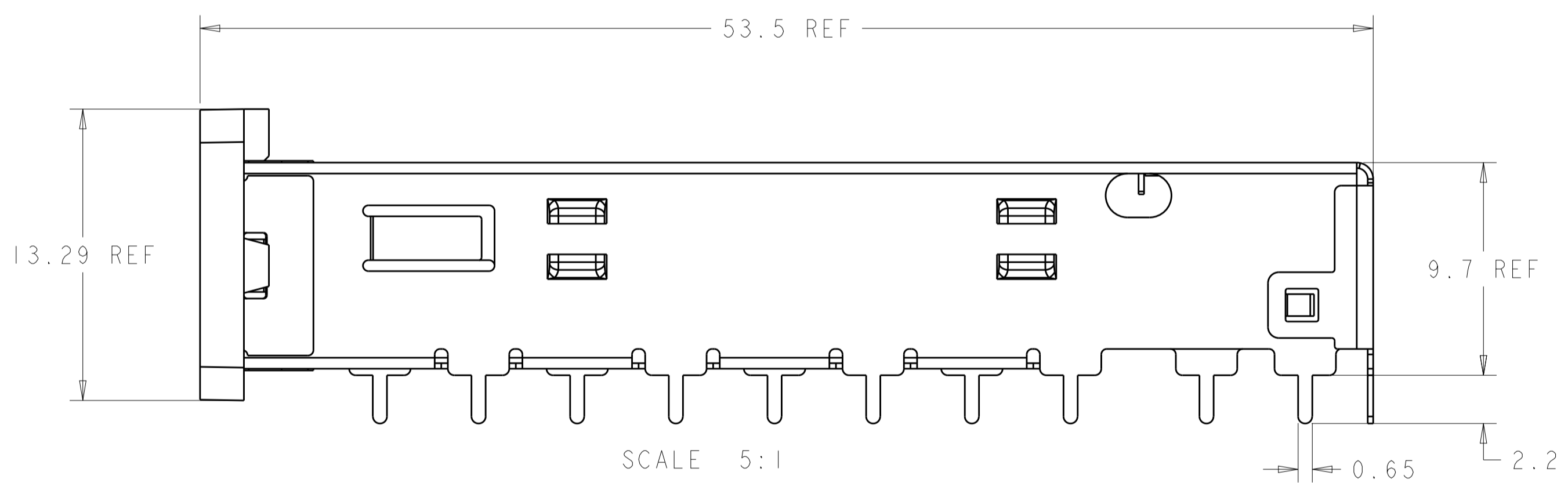
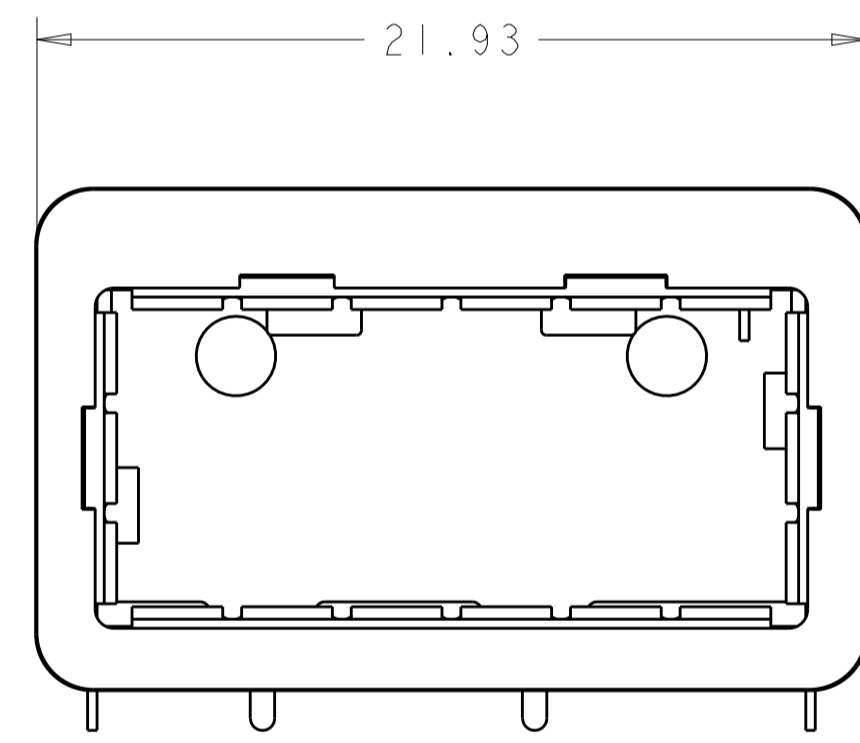
REVISIONS				
P.	LTN	DESCRIPTION	DATE	APPROV
1		INITIAL RELEASE	13SEP2013	RG AC
2		REVISED PER ECO-14-018993	2APR2015	RG MC



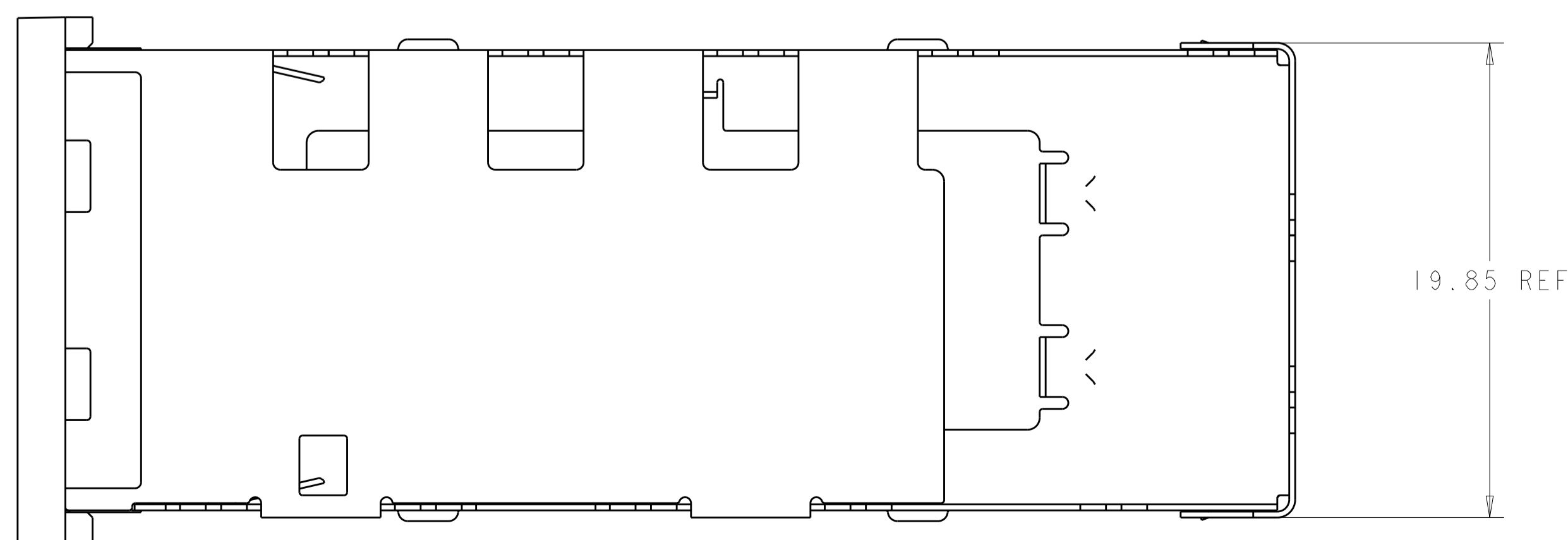
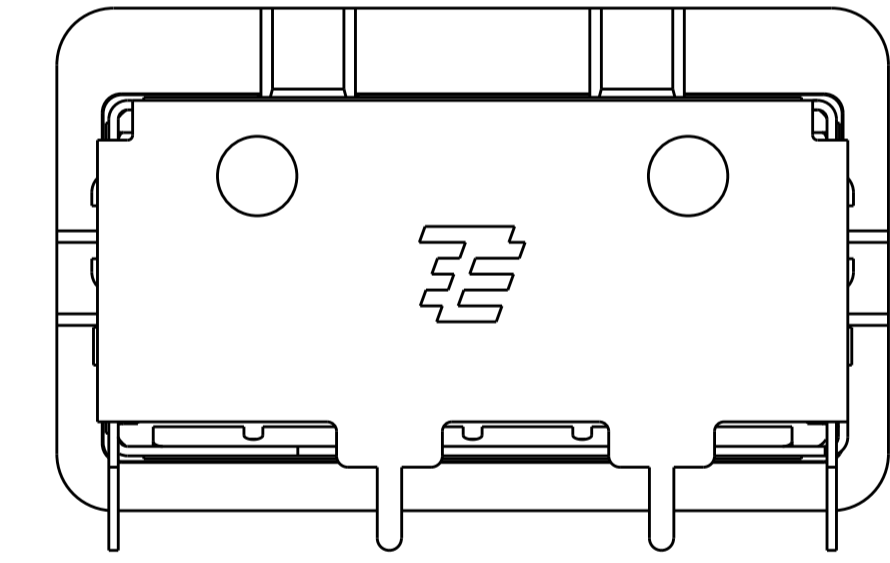
ISOMETRIC VIEW
SCALE 5:1



- 1 SURFACE TRACES PERMITTED WITHIN THIS LENGTH EXCEPT WHERE CAGE STANDOFFS, SHOWN IN DETAIL J, CONTACT PC BOARD.
- 2 MINIMUM PITCH DIMENSION.
- 3. MATES WITH QSFP MSA COMPATIBLE TRANSCEIVER.
- 4 REFERENCE APPLICATION SPEC 114-13218 FOR RECOMMENDED DRILL HOLE DIAMETER AND PLATING THICKNESS.
- 5 DATUM AND BASIC DIMENSIONS ESTABLISHED BY CUSTOMERS.
- 6 DIMENSION C IS THE NOMINAL THICKNESS OF CUSTOMER SUPPLIED PC BOARD, SINGLE SIDED PC BOARD MINIMUM THICKNESS: 1.45
- 7 DATUM -A- IS TOP SURFACE OF THE HOST BOARD.
- 8 DATE CODE (YYWWD) MARKED APPROXIMATELY AS SHOWN.
- 9 CAGE MATERIAL: 0.25 THICK COPPER ALLOY
EMI SPRING MATERIAL: COPPER ALLOY
FRONT FLANGE MATERIAL: ZINC ALLOY.
- 10 EMI SPRING FINISH: 2µm TIN
FRONT FLANGE FINISH: 3µm MIN THICK TIN OVER 1.27µm MIN THICK NICKEL OVER 5.08µm MIN THICK COPPER.



SCALE 5:1

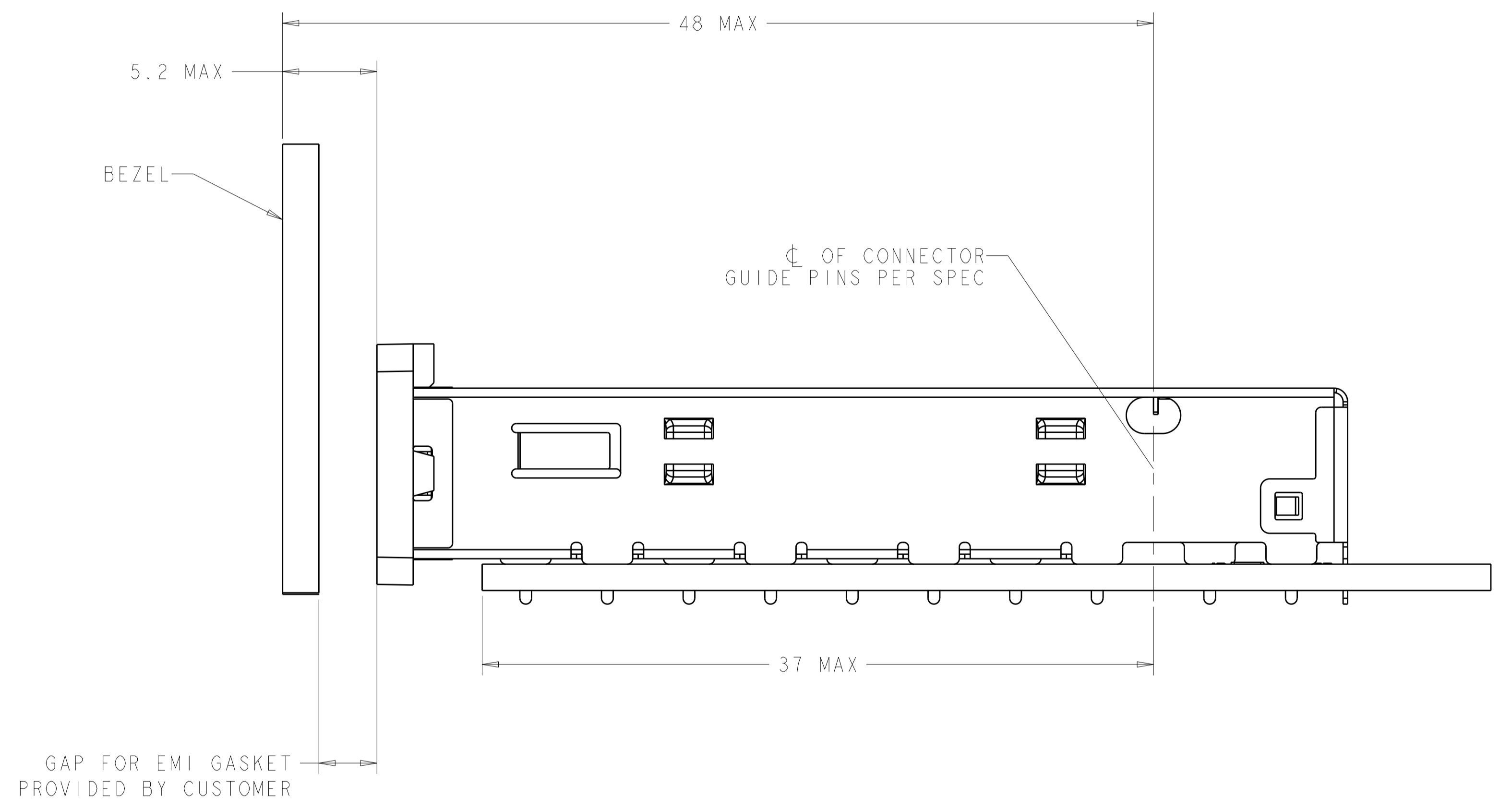
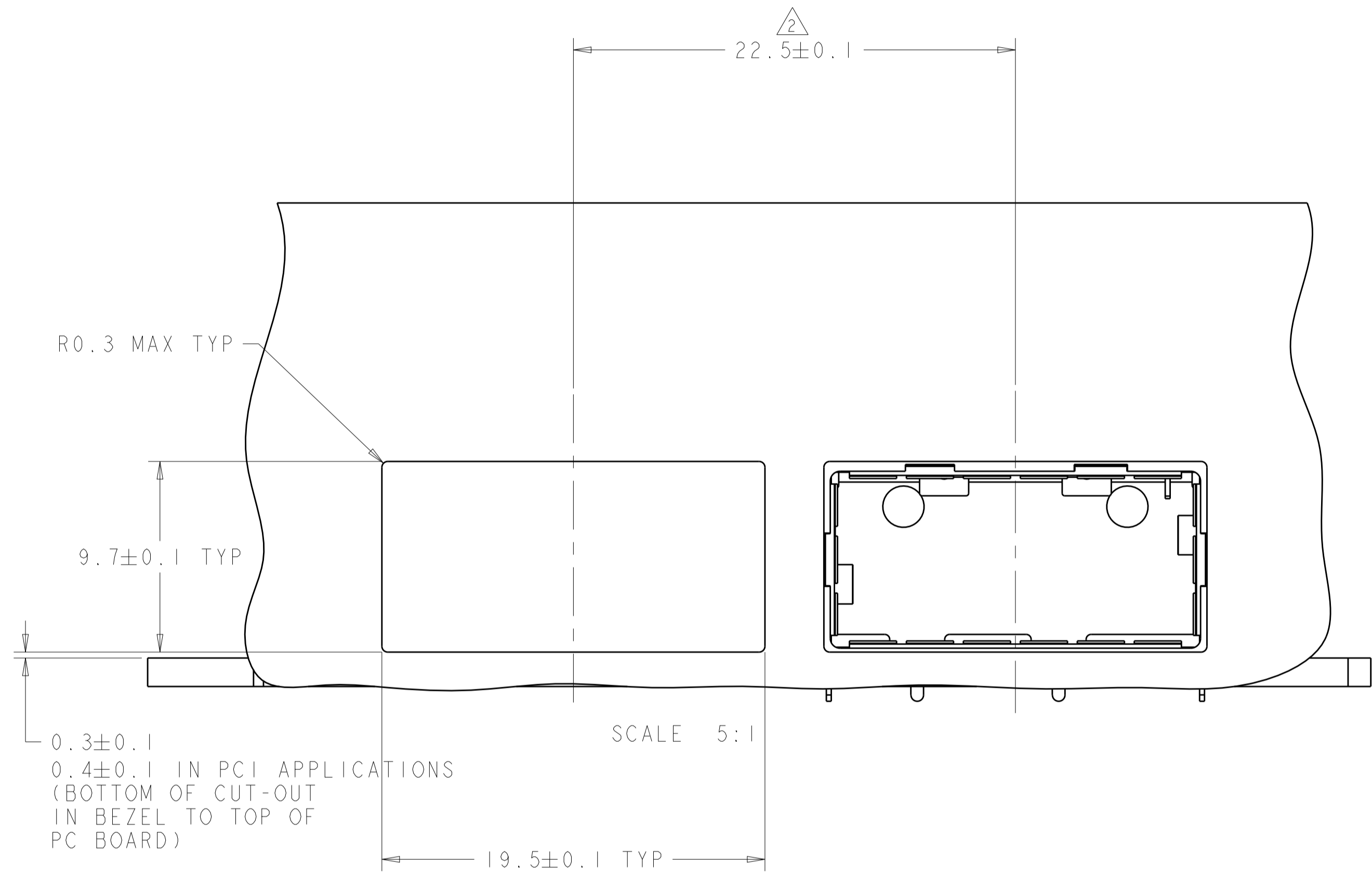


19.85 REF

2170396-1
PART NUMBER

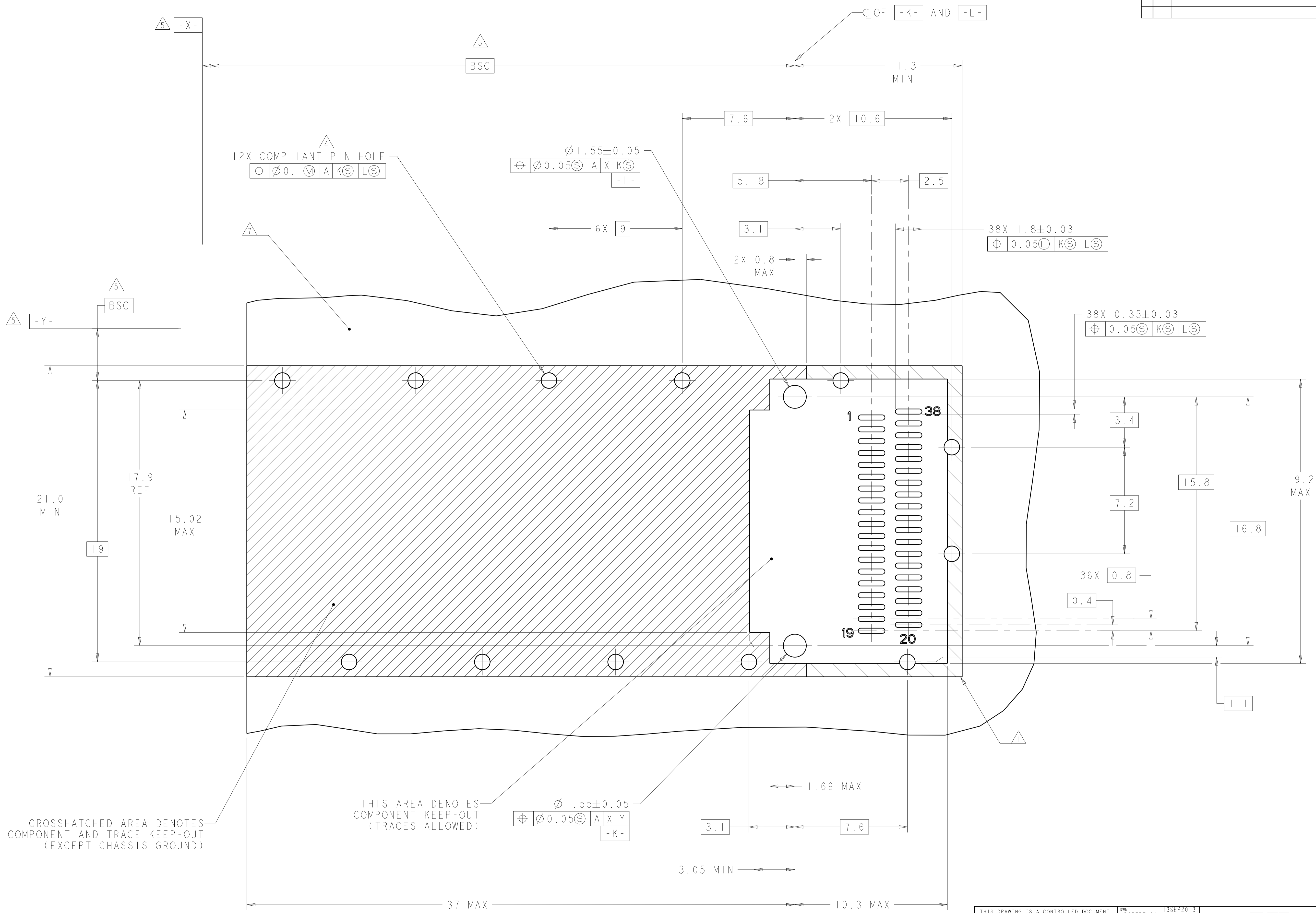
THIS DRAWING IS A CONTROLLED DOCUMENT.		OWN: ROBERT GAN 13SEP2013	STE	
DIMENSIONS:		CHK: JASON YANG 13SEP2013	TE Connectivity	
TOLERANCES UNLESS OTHERWISE SPECIFIED:		APPR: AILEY CAI 13SEP2013	NAME: CAGE ASSEMBLY, BEZEL, QSFP	
mm	0 PLC ±0.5	PRODUCT SPEC	108-2286	
	1 PLC ±0.13	APPLICATION SPEC	114-13218	
	2 PLC ±0.013	SIZE: CAGE CODE DRAWING NO	A100779C=2170396	
	3 PLC ±0.001	RESTRICTED TO	Customer Drawing	
	4 PLC ±0.0001	SCALE	2:1	
	ANGLES ±0.001	SHEET	1 of 3	
	FINISH	REV	2	

REVISIONS				
P.	LTN	DESCRIPTION	DATE	APVD
-	-	SEE SHEET 1	-	-



THIS DRAWING IS A CONTROLLED DOCUMENT.		OWN: ROBERT GAN 13SEP2013	TE Connectivity
DIMENSIONS: mm		CHK: JASON YANG 13SEP2013	
TOLERANCES UNLESS OTHERWISE SPECIFIED:		APVD: AILEY CAI 13SEP2013	NAME: CAGE ASSEMBLY, BEHIND BEZEL, QSFP
0 PLC ±	1 PLC ±0.5	PRODUCT SPEC	SIZE: CAGE CODE DRAWING NO
2 PLC ±0.13	3 PLC ±0.013	108-2286	RESTRICTED TO
4 PLC ±0.001	ANGLES ±0.0001	APPLICATION SPEC	A100779C=2170396
MATERIAL: -	FINISH: -	WEIGHT: -	SCALE: 2:1 SHEET 2 OF 3 REV 2
Customer Drawing			

REVISIONS				
P.	LTN.	DESCRIPTION	DATE	APVD.
-	-	SEE SHEET 1	-	-



RECOMMENDED SINGLE-SIDE
 PC BOARD LAYOUT
 SCALE 8:1

THIS DRAWING IS A CONTROLLED DOCUMENT.		OWN: ROBERT GAN 13SEP2013	TE Connectivity
DIMENSIONS: mm		CHK: JASON YANG 13SEP2013	
TOLERANCES UNLESS OTHERWISE SPECIFIED:		APVD: AILEY CAI 13SEP2013	NAME: CAGE ASSEMBLY, BEHIND BEZEL, QSFP
0 PLC ±0.5 2 PLC ±0.13 3 PLC ±0.013 4 PLC ±0.001 ANGLES ±0.0001		PRODUCT SPEC: 108-2286	SIZE: CAGE CODE DRAWING NO: A100779
MATERIAL: -		APPLICATION SPEC: 114-13218	RESTRICTED TO: -
FINISH: -		WEIGHT: -	SCALE: 2:1 SHEET 3 OF 3 REV 2
Customer Drawing		Customer Drawing	