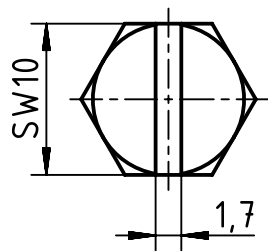
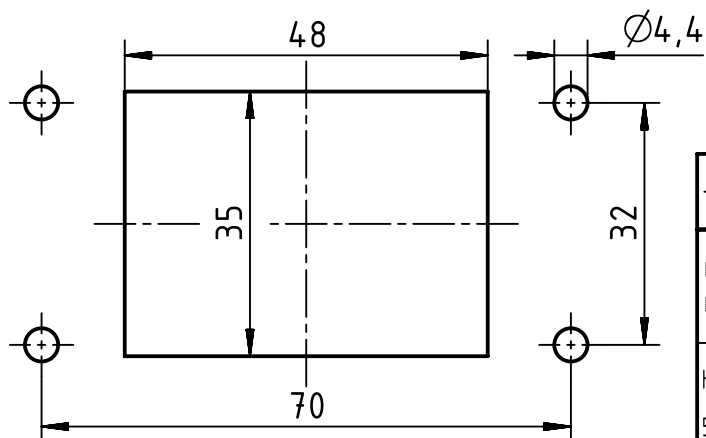
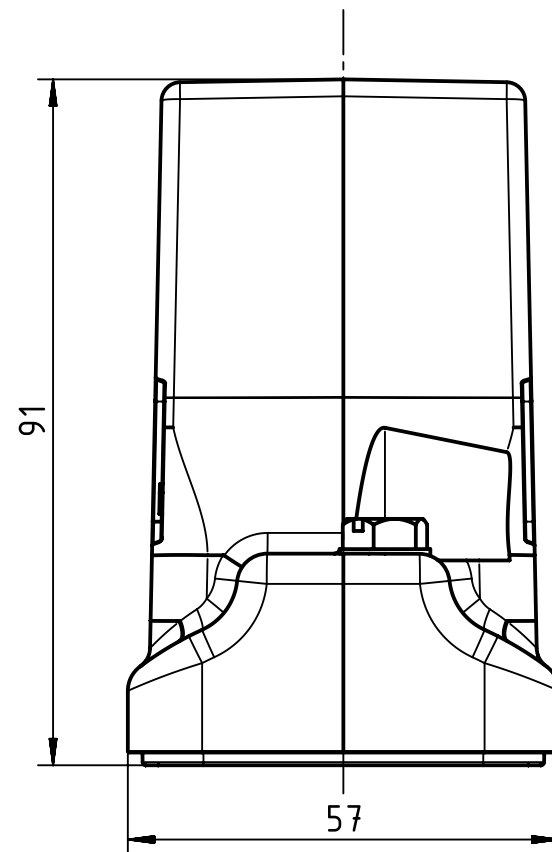
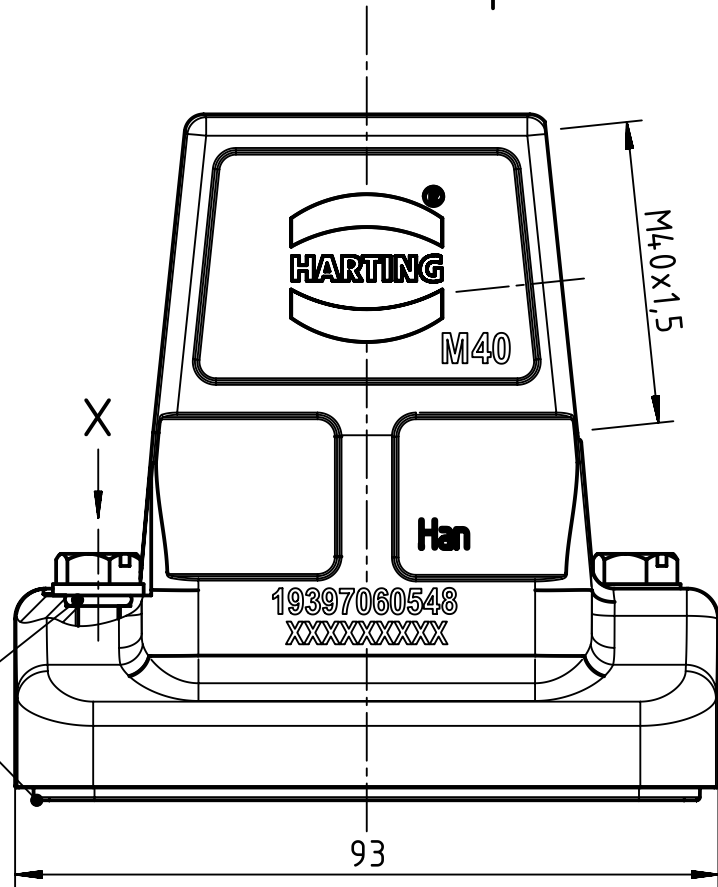


X (2:1)



Panel cut out

Seal



	All rights reserved Department EL PD - CN HARTING (Zhuhai) Manufacturing Co., Ltd. 519085 Zhuhai, China	All Dimensions in mm Original Size DIN A4	Scale 1:1 Free size tol.	Ref. Sub.
		Created by LONGL Inspected by WENE Standardisation SCHMIDTM	Date 2017-03-20 State Final Release	
Title Han 6HP Direct/M-HSE-M40			Doc-Key / ECM-Nr. 100664129/UGD/005/C 500000116980	
Type TB		Number 19 39 706 0548		Rev. C Page 1/1