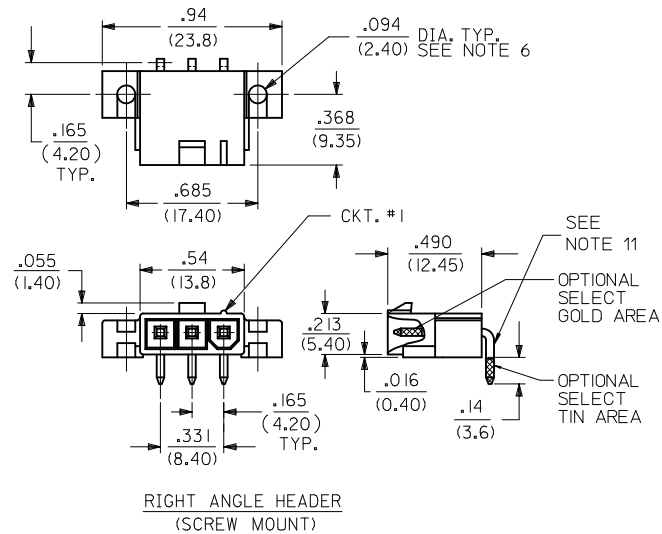
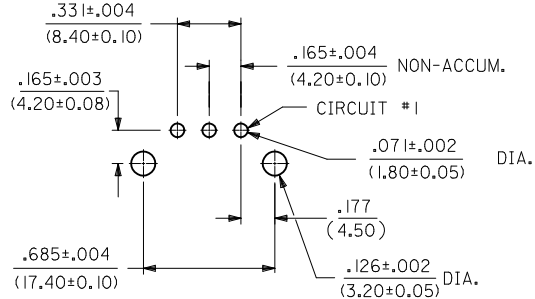


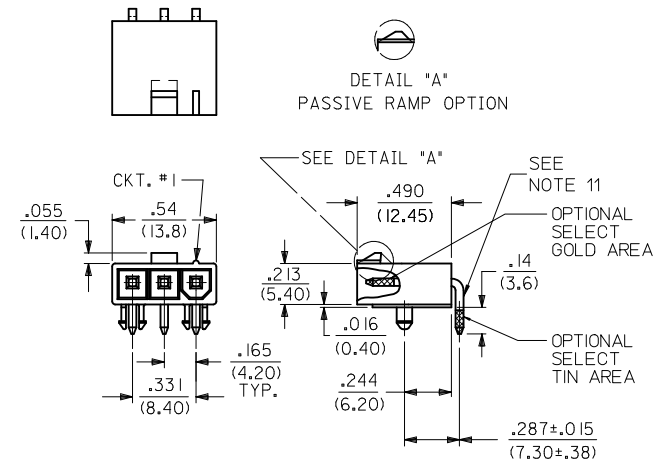
PART NUMBER	ENGINEERING NUMBER	MOUNT OPTION	PLATING	MAT'L.
NO E.D.P.	5569-03A3GS2-225	3	15 GOLD	225
NO E.D.P.	5569-03A3GS-225	3	30 GOLD	225
NO E.D.P.	5569-03A4GS2-225	4	15 GOLD	225
NO E.D.P.	5569-03A4GS-225	4	30 GOLD	225
NO E.D.P.	5569-03A3MS-225	3	TIN/NICKEL	225
50-36-1769	5569-03A4MS-225	4	TIN/NICKEL	225
NO E.D.P.	5569-03A5GS2-225	5	15 GOLD	225
NO E.D.P.	5569-03A5GS-225	5	30 GOLD	225
NO E.D.P.	5569-03A5MS-225	5	TIN/NICKEL	225



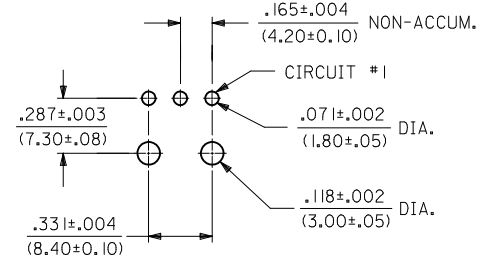
RIGHT ANGLE HEADER  
(SCREW MOUNT)



RECOMMENDED HOLE LAYOUT FOR  
.070/(1.78) MAX. THICK P.C. BOARD  
VIEWED FROM COMPONENT SIDE



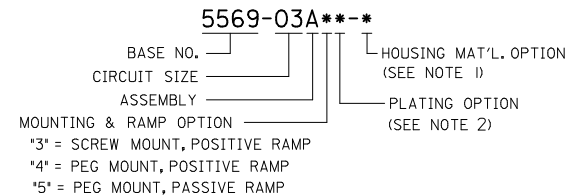
RIGHT ANGLE HEADER  
(PEG MOUNT)



RECOMMENDED HOLE LAYOUT FOR  
.070/(1.78) MAX. THICK P.C. BOARD  
VIEWED FROM COMPONENT SIDE

- NOTES:
- MATERIAL: HOUSING: \*225\* = UNFILLED NYLON 6, UL94V-0, IEC 60335-1 4TH EDITION GLOW WIRE CAPABLE, COLOR - BLACK. TERMINAL MATERIAL: BRASS ALLOY
  - TERMINAL PLATING: "MS" = .000100/(0.00254) MIN. MATTE TIN OVER .000050/(0.00127) MIN. NICKEL OVERALL. "GS" = .000030/(0.00076) MIN. SELECT GOLD, .000100/(0.00254) MIN. SELECT MATTE TIN OVER .000050/(0.00127) MIN. NICKEL OVERALL "GS2" = .000015/(0.00038) MIN. SELECT GOLD, .000100/(0.00254) MIN. SELECT MATTE TIN OVER .000050/(0.00127) MIN. NICKEL OVERALL.
  - PRODUCT SPECIFICATION: PS-5556-001.
  - PACKAGING SPECIFICATION: PK-5569-002.
  - PART MATES WITH MOLEX RECEPTACLE 5557 SERIES.
  - PART IS DESIGNED FOR USE WITH 4-40 OR M3 SCREWS.
  - DISCOLORATION IN THE BANDOLIER CARRIER AREA OF THE PIN IS INHERENT TO THE PLATING PROCESS AND IS DUE TO THE MASKING EFFECT OF THE CARRIER. THIS DISCOLORATION IS IN A NON-FUNCTIONAL AREA OF THE PIN AND WILL NOT AFFECT THE PERFORMANCE OF THE HEADER ASSEMBLY.
  - CONNECTORS ARE NOT TO BE MATED AND UNMATED WHILE CIRCUITS ARE LIVE.
  - PARTS ARE NOT DESIGNED FOR CURRENT SHARING.
  - PART CONFORMS TO CLASS "B" REQUIREMENTS OF COSMETIC SPECIFICATION PS-45499-002.
  - FORMING MARKS ON PINS ARE ACCEPTABLE

LEGEND



CHANGE PLATING EC NO: UCP2012-0155 DRAWN: NGUYEN 2011/07/22 CHKD: J. BELL 2011/07/22 APPR: FSMITH 2011/10/28	QUALITY SYMBOLS ▽=0 ▽=0 ▽=0	GENERAL TOLERANCES (UNLESS SPECIFIED)		DIMENSION STYLE IN/MM		SCALE 2:1	DESIGN UNITS METRIC	THIRD ANGLE PROJECTION	
		4 PLACES ± --- ± ---	3 PLACES ± --- ± .005	2 PLACES ± 0.13 ± .01	1 PLACE ± 0.25 ± ---	ANGULAR ± 5 °	DRAWN BY TRBENES	DATE 4/28/09	CHECKED BY JBELL
DRAFT WHERE APPLICABLE MUST REMAIN WITHIN DIMENSIONS		SEE CHART		MATERIAL NO. SD-5569-03A***-225		DOCUMENT NO. SD-5569-03A***-225		SHEET NO. 1 OF 1	
THIS DRAWING CONTAINS INFORMATION THAT IS PROPRIETARY TO MOLEX INCORPORATED AND SHOULD NOT BE USED WITHOUT WRITTEN PERMISSION									