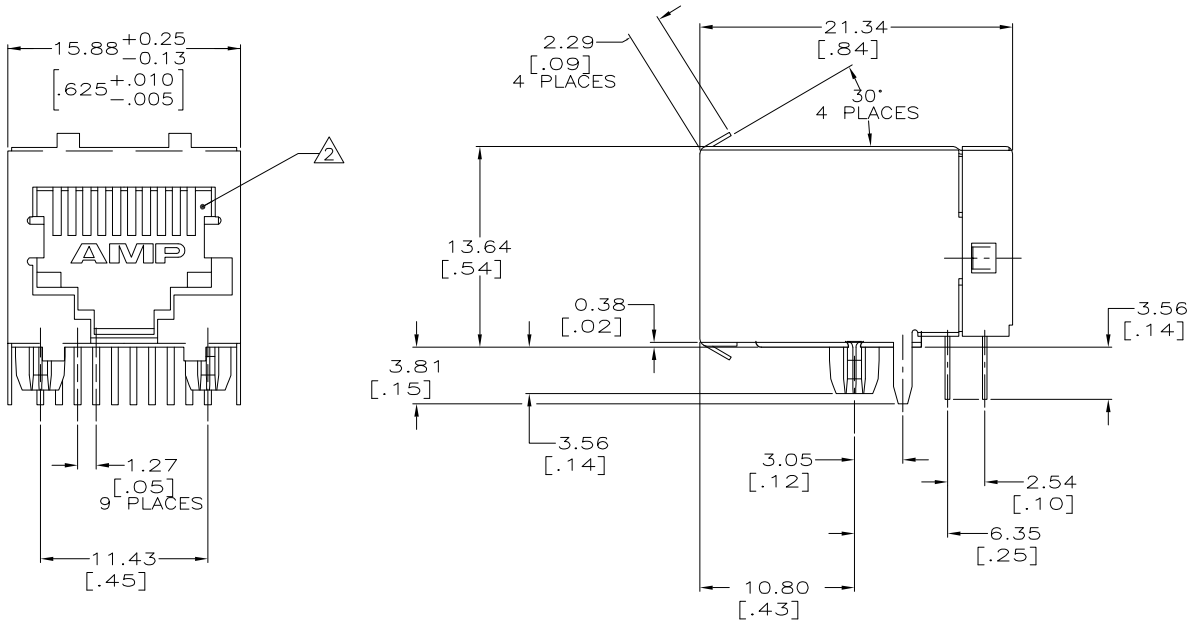


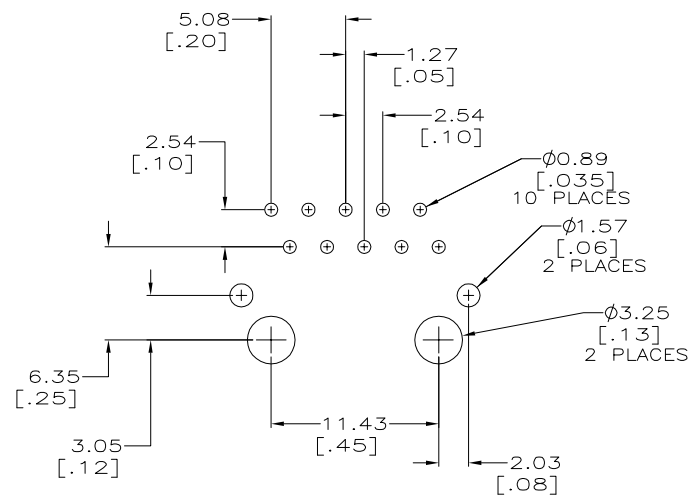
THIS DRAWING IS UNPUBLISHED. RELEASED FOR PUBLICATION
 BY TYCO ELECTRONICS CORPORATION. ALL RIGHTS RESERVED.

LOC		DIST		REVISIONS				
P	LTR	DESCRIPTION			DATE	DWN	APVD	
AA	22	B1	REV PER	ECR-09-004284	16APR2009	TY	SY	

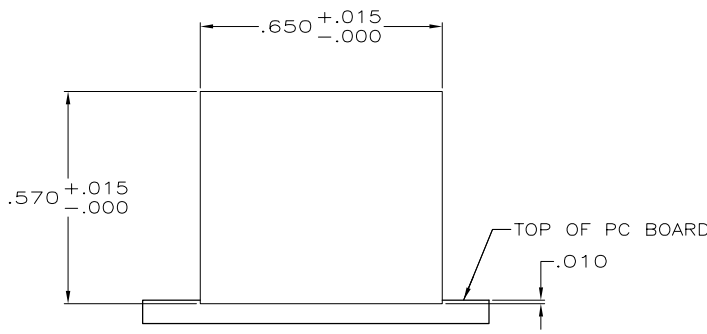


1. MATERIALS:
 HOUSING - PCT POLYESTER, BLACK, IR REFLOW COMPATIBLE, UL 94V-0.
 TERMINALS 0.33 [.013] THICK PHOS BRONZE PLATED WITH 1.27µm [.000050] HARD GOLD IN LOCALIZED AREA AND 3.81µm [.000150] MATTE TIN IN SOLDER AREA OVER 1.27µm [.000050] MINIMUM THICK NICKEL UNDERPLATE.
 SHIELD - 0.25 [.010] THICK COPPER ALLOY PLATED WITH 1.27µm [.000050] MINIMUM NICKEL AND 2.03 µm [.000080] MINIMUM HOT TIN DIP ON PCB GROUND TABS.

△ JACK CAVITY CONFORMS TO FCC RULES AND REGULATIONS, PART 68 SUBPART F.



SUGGESTED PC BOARD LAYOUT
 VIEW SHOWN IS TOP (COMPONENT SIDE) OF PC BOARD



SUGGESTED PANEL CUTOUT

5558070-1
 PART NUMBER

THIS DRAWING IS A CONTROLLED DOCUMENT.		DWN S. MAYBERRY/A. MAYER	25MAY2005	Tyco Electronics Corporation Harrisburg, Pa 17105-3608
DIMENSIONS: mm		CHK J. WESTMAN	25MAY2005	
TOLERANCES UNLESS OTHERWISE SPECIFIED:		APVD S. FLICKINGER	25MAY2005	NAME
0 PLC ± -		PRODUCT SPEC		MODULAR JACK ASSEMBLY, 10 POSITION
1 PLC ± -		108-1163		SIDE ENTRY, LOW PROFILE, FULLY SHIELDED,
2 PLC ± 0.25[.01]		APPLICATION SPEC		PANEL GROUND
3 PLC ± 0.13[.005]		114-2048		SIZE CAGE CODE DRAWING NO RESTRICTED TO
4 PLC ± -		A2 00779 C=5558070		WEIGHT
ANGLES ± -		CUSTOMER DRAWING		SCALE 4:1 SHEET 1 OF 1 REV B1
MATERIAL FINISH		SEE NOTE 1		