

MATERIALS AND FINISHES

BODY: ZINC ALLOY  
PLATED NICKEL

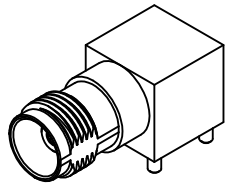
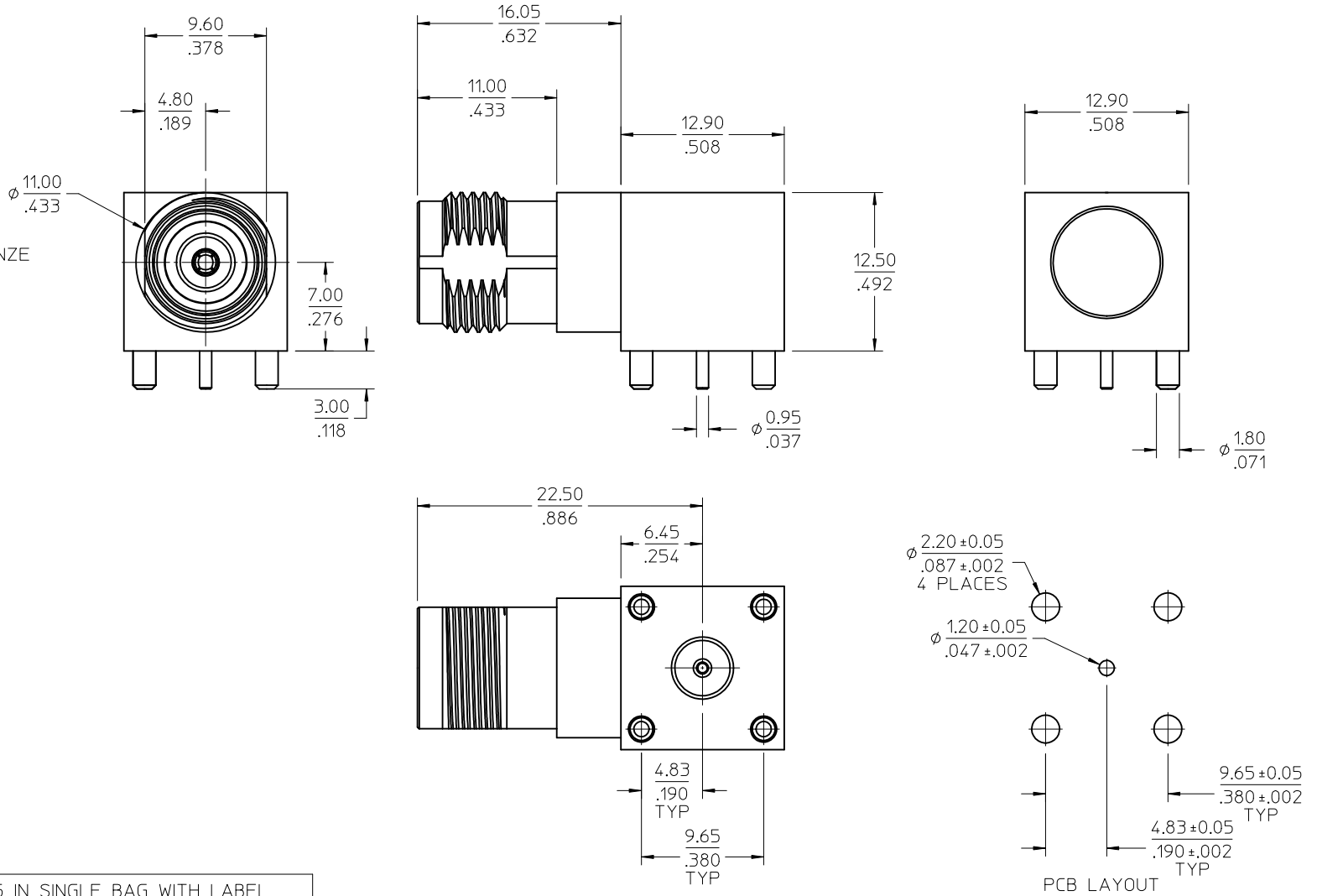
RING, CAP: BRASS  
PLATED NICKEL

LEGS: BRASS  
PLATED TIN

CONTACT FRONT: PHOSPHOR BRONZE  
PLATED GOLD

CONTACT REAR: BRASS  
PLATED GOLD

INSULATORS: TEFLON



73216-2710	1 PIECE 73100-0135 IN SINGLE BAG WITH LABEL
73100-0135	STANDARD
PART NO.	PACKAGING

PS-89675-1400	PRODUCT SPECIFICATION
MIL-STD-348A, FIG. 313.2	INTERFACE
SPECIFICATION	DESCRIPTION

CHG: REDREW IN SD. ADDED 73216-2710 FOR SINGLE BAG OPTION.	EC NO: URF2011-0573	2011/03/31
	DRWN: AROBERTSON	2011/03/31
	CHKD: SSS	2011/03/31
	APPR: JWIENER	2011/04/04
REV	A1	

QUALITY SYMBOLS	GENERAL TOLERANCES (UNLESS SPECIFIED)
▽=0	mm INCH
▽=0	4 PLACES ± --- ± ---
	3 PLACES ± --- ± ---
	2 PLACES ± --- ± ---
	1 PLACE ± --- ± ---
	ANGULAR ± 2 °
	DRAFT WHERE APPLICABLE MUST REMAIN WITHIN DIMENSIONS

DRAWN BY	DATE	TITLE
AROBERTSON	2011/03/31	TNC JACK RA PCB TH 50 OHM TNC-J/PCB
CHECKED BY	DATE	
SSS	2011/03/31	
APPROVED BY	DATE	
JWIENER	2011/04/04	
MATERIAL NO.	DOCUMENT NO.	SHEET NO.
SEE TABLE	SD-73100-0135	1 OF 1

DIMENSION STYLE	SCALE	DESIGN UNITS	THIRD ANGLE PROJECTION
MM/IN		METRIC	
MOLEX INCORPORATED			
THIS DRAWING CONTAINS INFORMATION THAT IS PROPRIETARY TO MOLEX INCORPORATED AND SHOULD NOT BE USED WITHOUT WRITTEN PERMISSION			

MATERIALS AND FINISHES

BODY: ZINC ALLOY  
PLATED NICKEL

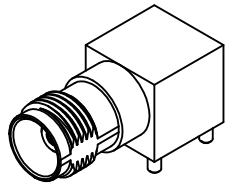
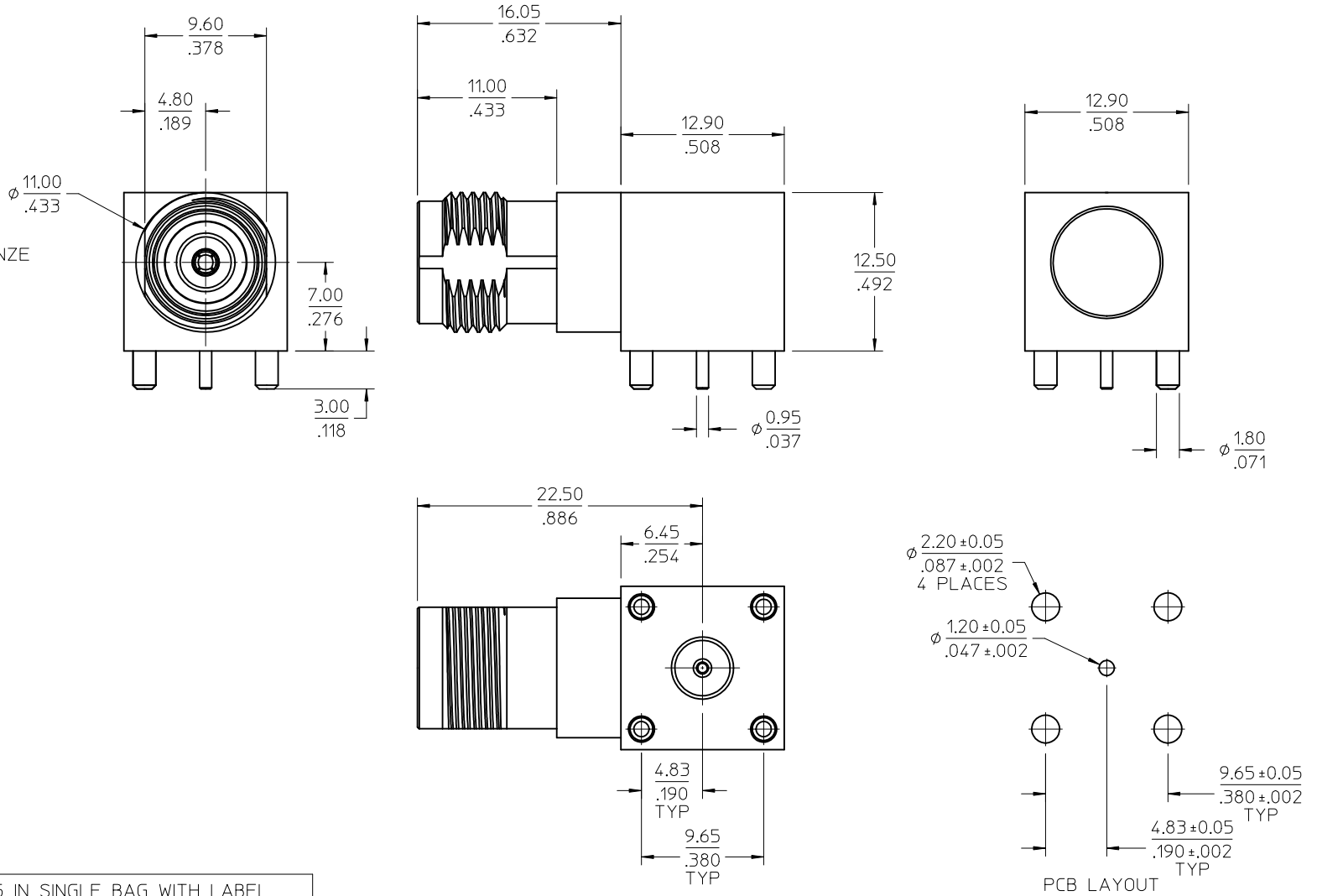
RING, CAP: BRASS  
PLATED NICKEL

LEGS: BRASS  
PLATED TIN

CONTACT FRONT: PHOSPHOR BRONZE  
PLATED GOLD

CONTACT REAR: BRASS  
PLATED GOLD

INSULATORS: TEFLON



73216-2710	1 PIECE 73100-0135 IN SINGLE BAG WITH LABEL
73100-0135	STANDARD
PART NO.	PACKAGING

PS-89675-1400	PRODUCT SPECIFICATION
MIL-STD-348A, FIG. 313.2	INTERFACE
SPECIFICATION	DESCRIPTION

CHG: RELEASE DRAWING.	EC NO: URF2011-0573	QUALITY SYMBOLS	GENERAL TOLERANCES (UNLESS SPECIFIED)	DIMENSION STYLE	SCALE	DESIGN UNITS	THIRD ANGLE PROJECTION
DRWN: AROBERTSON 2011/04/01	CHKD: SSS 2011/04/01	▽=0	mm INCH	MM/IN	METRIC	METRIC	☉
APPR: JWIENER 2011/04/04	REV	▽=0	4 PLACES ± --- ± ---	DRAWN BY DATE	TITLE	TNC JACK RA	
			3 PLACES ± --- ± ---	AROBERTSON 2011/04/01	MOLEX INCORPORATED	PCB TH 50 OHM	
			2 PLACES ± --- ± ---	SSS 2011/04/01		TNC-J/PCB, EWR-4676	
			1 PLACE ± --- ± ---	APPROVED BY DATE	DOCUMENT NO.	SD-73216-271	SHEET NO.
			ANGULAR ± 2 °	JWIENER 2011/04/04			1 OF 1
			DRAFT WHERE APPLICABLE MUST REMAIN WITHIN DIMENSIONS	SIZE	THIS DRAWING CONTAINS INFORMATION THAT IS PROPRIETARY TO MOLEX INCORPORATED AND SHOULD NOT BE USED WITHOUT WRITTEN PERMISSION		