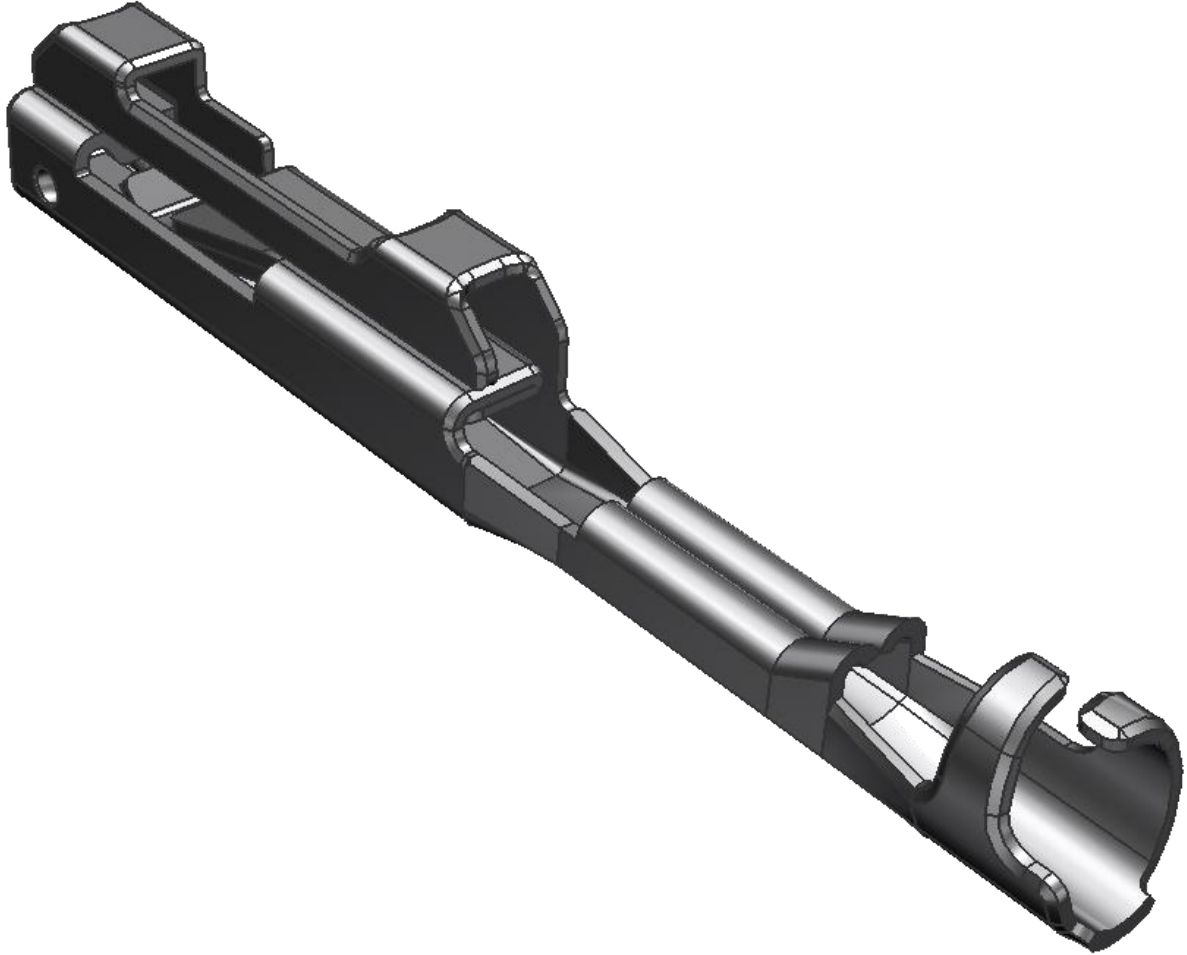




PRODUCT SPECIFICATION



CTX50 MAT SEALED RECEPTACLE TERMINAL

REVISION: B	ECR/ECN INFORMATION: EC No: 10831180 DATE: 3/28/2017	TITLE: CTX50 MAT SEALED RECEPTACLE TERMINAL	SHEET No. 1 of 6
DOCUMENT NUMBER: PS-34905-0001	CREATED / REVISED BY: P.Baldota/S.Jazrawi	CHECKED BY: E.Hepler	APPROVED BY: Y.Lepottier



PRODUCT SPECIFICATION

Table of Contents

1.0	Scope	3
2.0	Product Description.....	3
3.0	Applicable Documents and Specifications.....	4
4.0	Ratings	4
5.0	Performance	6
6.0	Packaging.....	6
7.0	Gages and Fixtures.....	6
8.0	Other Information.....	6

CTX50 MAT SEALED RECEPTACLE TERMINAL

REVISION: B	ECR/ECN INFORMATION: EC No: 10831180 DATE: 3/28/2017	TITLE: CTX50 MAT SEALED RECEPTACLE TERMINAL	SHEET No. 2 of 6
DOCUMENT NUMBER: PS-34905-0001	CREATED / REVISED BY: P.Baldota/S.Jazrawi	CHECKED BY: E.Hepler	APPROVED BY: Y.Lepottier

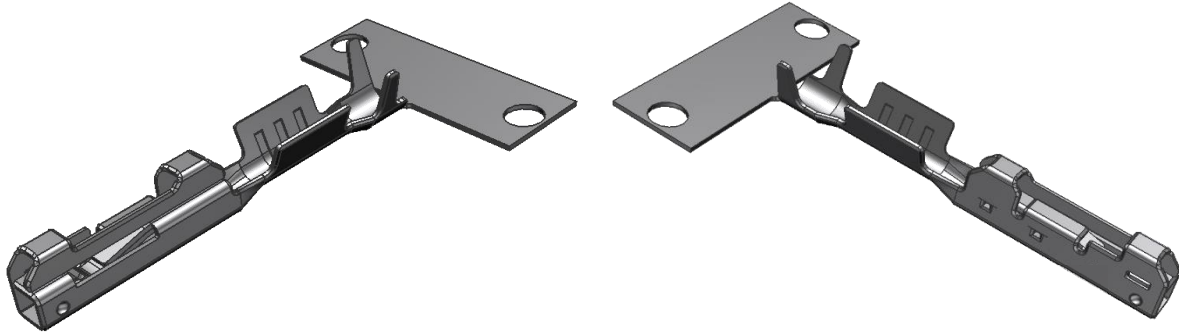


PRODUCT SPECIFICATION

1.0 SCOPE

This Product specification covers the Silver and Tin plated CTX50 MAT SEALED RECEPTACLE Terminal crimped to an array of wires utilizing crimp technology.

2.0 PRODUCT DESCRIPTION



2.1. PRODUCT NAME AND SERIES NUMBER

Refer to listed document number for part availability, dimensions, material, marking information, packaging information, applicable wire size, configuration options, etc.

Product Name	Document Number	Series
CTX50 MAT Sealed Receptacle – S Grip and Standard Performance Sn	349050400 PSD AS-34905-001	34905
CTX50 MAT Sealed Receptacle – S Grip and High Performance Ag		
CTX50 MAT Sealed Receptacle – L Grip and Standard Performance Sn		
CTX50 MAT Sealed Receptacle – L Grip and High Performance Ag		

2.2. FEATURES AND BENEFITS

- High performance copper alloy
- One piece terminal design
- Accepts 0.5 x 0.4mm square blade
- Molex cavity compatible
- High current carrying capability (High Performance Ag)

REVISION: B	ECR/ECN INFORMATION: EC No: 10831180 DATE: 3/28/2017	TITLE: CTX50 MAT SEALED RECEPTACLE TERMINAL	SHEET No. 3 of 6
DOCUMENT NUMBER: PS-34905-0001	CREATED / REVISED BY: P.Baldota/S.Jazrawi	CHECKED BY: E.Hepler	APPROVED BY: Y.Lepottier



PRODUCT SPECIFICATION

3.0 APPLICABLE DOCUMENTS AND SPECIFICATIONS

Document Title	Document Number
UL File Number	Not Applicable
CSA File Number	Not Applicable
TUV License number	Not Applicable
IMDS Report	Available upon request
Environmental Compliance	Available on molex.com
Terminal Test Summary	TS-34905-001
Packaging Specification	PK-3101-319

4.0 RATINGS

4.1. VOLTAGE - OPERATING

Operating Voltage: 14 Volts DC Maximum

4.2. CURRENT RATING

Product Name	Current Rating
CTX50 MAT Sealed Receptacle – S Grip and Standard Performance Sn	4 A
CTX50 MAT Sealed Receptacle – S Grip and High Performance Ag	5 A
CTX50 MAT Sealed Receptacle – L Grip and Standard Performance Sn	5 A
CTX50 MAT Sealed Receptacle – L Grip and High Performance Ag	7.5 A

4.3. TERMINAL CURRENT DERATING CURVES

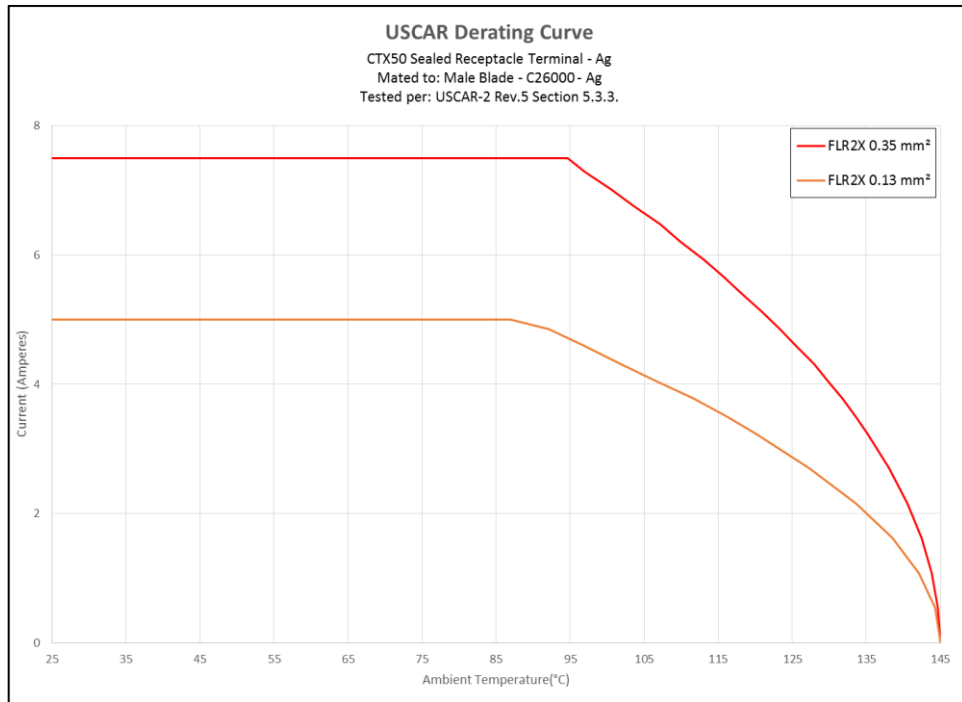
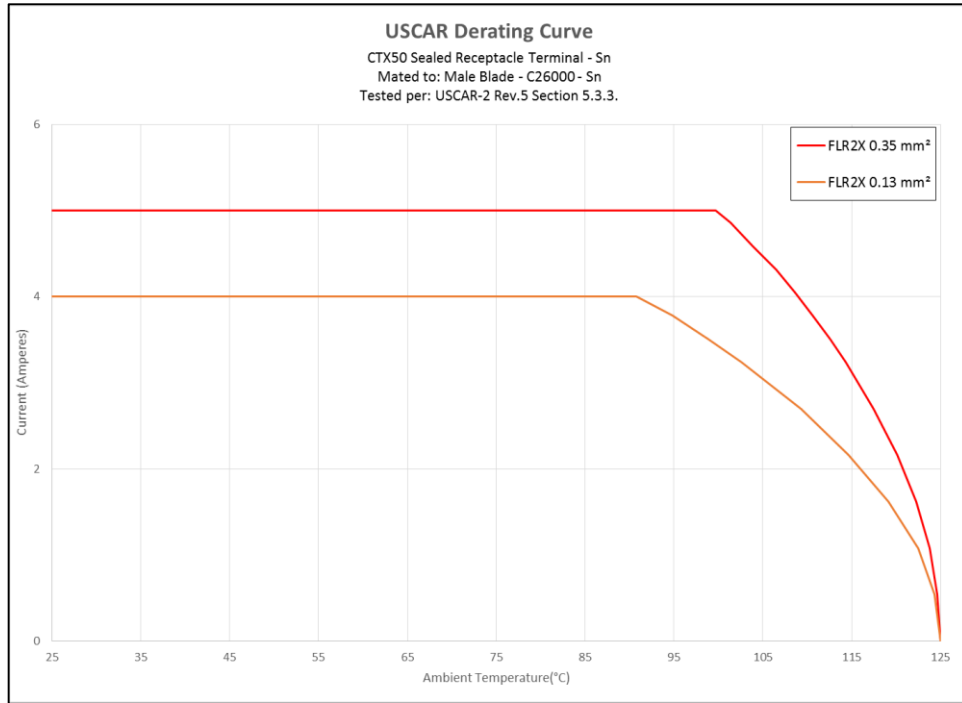
This test is used to determine the maximum test current at which a terminal system can operate in a room temperature environment before excessive thermal degradation and/or resistance begins to occur. Temperature Rise (Y axis) vs. Current (X axis) shall be plotted for each applicable conductor size.

CAUTION: These graphs are NOT to be used for actual terminal application in a vehicle. This test is conducted on the terminals alone. This will eliminate the discrepancy that may be introduced by the variations in the heat dissipating characteristics due to differing connector housing designs and sizes. This test cannot establish the Maximum Current Capability of a specific terminal application. For specific applications, several factors other than current load must be considered (see SAE/USCAR-2 appendix F for more information).

REVISION: B	ECR/ECN INFORMATION: EC No: 10831180 DATE: 3/28/2017	TITLE: CTX50 MAT SEALED RECEPTACLE TERMINAL	SHEET No. 4 of 6
DOCUMENT NUMBER: PS-34905-0001	CREATED / REVISED BY: P.Baldota/S.Jazrawi	CHECKED BY: E.Hepler	APPROVED BY: Y.Lepottier



PRODUCT SPECIFICATION



REVISION:	ECR/ECN INFORMATION:	TITLE:	SHEET No.
B	EC No: 10831180 DATE: 3/28/2017	CTX50 MAT SEALED RECEPTACLE TERMINAL	5 of 6
DOCUMENT NUMBER:	CREATED / REVISED BY:	CHECKED BY:	APPROVED BY:
PS-34905-0001	P.Baldota/S.Jazrawi	E.Hepler	Y.Lepottier



PRODUCT SPECIFICATION

4.4. TEMPERATURE

4.4.1. For Standard Performance Sn

Non-operating temperature: - 40 °C to + 105 °C

Operating temperature: - 40 °C to + 105 °C

4.4.2. For High Performance Ag

Non-operating temperature: - 40 °C to + 125 °C

Operating temperature: - 40 °C to + 125 °C

**For terminal validation information contact your Molex Sales Engineer

**For connectors system level performance see related product specification

5.0 PERFORMANCE

THIS PRODUCT CONFORMS TO USCAR 21 REV. 2 AND GMW 3191 2007.

6.0 PACKAGING

- Parts should be packaged to protect against damage during handling, transit and storage. Please refer to PK-31300-516
- Terminals on reels should be stored in original packaging until ready for use. Storage temperature is recommended between 65 and 95 °F (18 and 35 °C) and storage humidity at less than 85% relative humidity. Under these conditions Molex recommended shelf life is 12 months from manufacturing date on terminal reel

7.0 GAGES AND FIXTURES

Gages and Fixtures are referenced in the appropriate control plans of the receptacle terminals. For terminal electrical checking, please refer to the related connector application specification

8.0 OTHER INFORMATION

Molex represents and warrants to Buyer for a period of one (1) year from the date of delivery of the Products to Buyer that

- 1) the Products shall conform to the MOLEX specifications for the Products in force at the date of delivery of the Products to Buyer, and
- 2) the Products shall be of free from material defects in materials and manufacturing.

EXCEPT AS EXPRESSLY PROVIDED ABOVE, MOLEX MAKES NO WARRANTY, EXPRESS OR IMPLIED, REGARDING THE PRODUCTS. ALL IMPLIED WARRANTIES, INCLUDING, BUT NOT LIMITED TO, THE IMPLIED WARRANTIES OF FITNESS FOR A PARTICULAR PURPOSE, ARE HEREBY DISCLAIMED. IN ADDITION, MOLEX EXPRESSLY DISCLAIMS ANY WARRANTY OBLIGATIONS IN THOSE INSTANCES WHERE THE FAILURES RESULTED FROM THE MODIFICATION OF THE PRODUCTS BY BUYER OR ITS CUSTOMERS, IMPROPER HANDLING, USE OR INSTALLATION OF THE PRODUCTS BY BUYER OR ITS CUSTOMERS, OR ANY OTHER CAUSE BEYOND THE CONTROL OF MOLEX.

REVISION: B	ECR/ECN INFORMATION: EC No: 10831180 DATE: 3/28/2017	TITLE: CTX50 MAT SEALED RECEPTACLE TERMINAL	SHEET No. 6 of 6
DOCUMENT NUMBER: PS-34905-0001	CREATED / REVISED BY: P.Baldota/S.Jazrawi	CHECKED BY: E.Hepler	APPROVED BY: Y.Lepottier