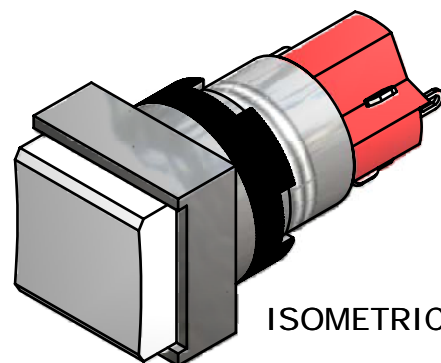
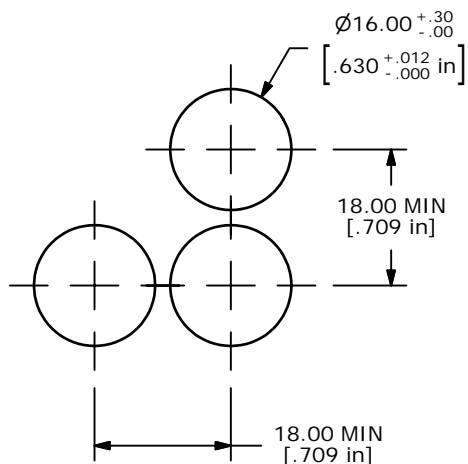
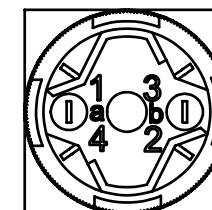
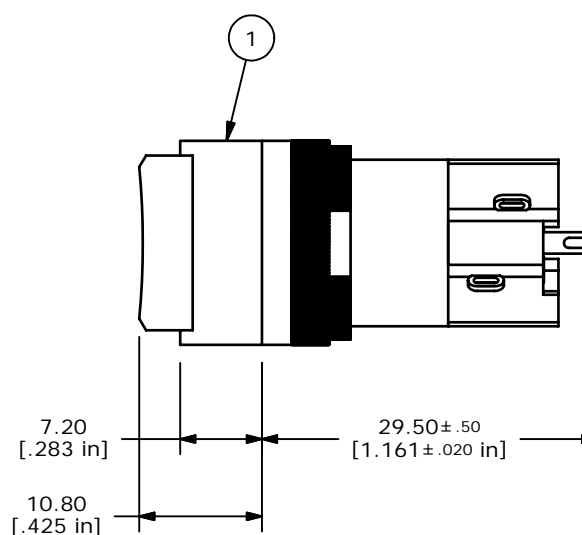
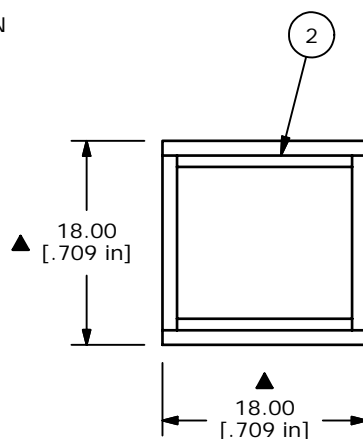
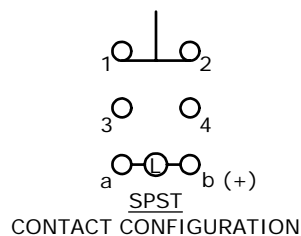


PARTS LIST			
ITEM	QTY	PART NUMBER	DESCRIPTION
1	1	F040008	D16OAS11
2	1	F050305	50-003-05 TRANSPARENT WHITE



ISOMETRIC

PANEL MOUNTING



NOTE:

1. ALL DIMENSIONS IN MM [INCH]
2. GENERAL TOLERANCE: X.X=±0.4
X.XX=±0.25
3. TERMINAL NUMBERS FOR REF ONLY
4. RATING: 5A @ 250 VAC
6A @ 24 VDC
5. ELECTRICAL LIFE: 2,000,000 OPERATIONS
6. INSULATION RESISTANCE: 1,000 MEGA-OHM MIN.
7. OPERATING TEMP.: -25°C to 70°C
- ▲8. LAMP VOLTAGE: NONE
9. ▲ DENOTES CRITICAL PARAMETER.
10. PACKAGE: BOX/20 PIECES PER BOX
11. 2002/95/EC (ROHS) COMPLIANT



A	17373	RELEASED FOR PRODUCTION	6/13/07	TN
REV	PCR NO	DESCRIPTION	DATE	BY

TITLE D16OAS110WHT				
SCALE	DATE	DR	DWG	REV
1.5:1	6/13/2007	TN	XF0723P	A

THE INFORMATION CONTAINED IN THIS DOCUMENT IS PROPRIETARY TO E-SWITCH AND IS NOT TO BE COPIED OR TRANSFERRED