

## D-SUB panel mounting frames - VS-25-A-DEVNET-S - 1652253

Please be informed that the data shown in this PDF Document is generated from our Online Catalog. Please find the complete data in the user's documentation. Our General Terms of Use for Downloads are valid (<http://download.phoenixcontact.com>)



D-SUB panel mounting frame, for DeviceNet, shell size 3, header, screw connection, unshielded, connection direction straight, IP67 degree of protection



DeviceNet™

### Key commercial data

Packing unit	1 1
Weight per Piece (excluding packing)	23.1 GRM
Custom tariff number	85369010
Country of origin	Germany

### Technical data

#### Mechanical characteristics

Number of positions	5
Connection method	Screw connection
Conductor cross section	0.2 mm <sup>2</sup> ... 2.5 mm <sup>2</sup>
Connection cross section AWG	24 ... 12

#### Ambient conditions

Ambient temperature (operation)	-40 °C ... 80 °C
Degree of protection	IP67

#### Material data

Inflammability class according to UL 94	V0
Housing material	PA
Contact carrier material	PBT
Contact material	Cu alloy
Contact surface material	Gold-plated

#### Electrical characteristics

## D-SUB panel mounting frames - VS-25-A-DEVNET-S - 1652253

### Technical data

#### Electrical characteristics

Number of positions	5
Rated current	8 A
Surge voltage category	III
Pollution degree	3
Rated voltage (III/3)	250 V
Rated current	8 A

### Classifications

#### eCl@ss

eCl@ss 4.0	27140816
eCl@ss 4.1	27260701
eCl@ss 5.0	27260701
eCl@ss 5.1	27260701
eCl@ss 6.0	27261203
eCl@ss 7.0	27440202
eCl@ss 8.0	27440202

#### ETIM

ETIM 2.0	EC000437
ETIM 3.0	EC000437
ETIM 4.0	EC000437
ETIM 5.0	EC002310

#### UNSPSC

UNSPSC 6.01	31261501
UNSPSC 7.0901	31261501
UNSPSC 11	31261501
UNSPSC 12.01	31261501
UNSPSC 13.2	31261501

### Accessories

Accessories

Protective cover

## D-SUB panel mounting frames - VS-25-A-DEVNET-S - 1652253

### Accessories

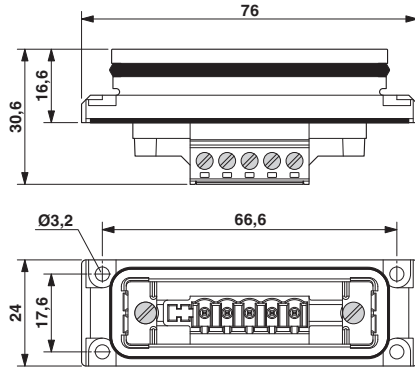
D-SUB protective cover - VS-25-SD - 1652211



D-SUB protective cover, shell size 3, IP54 degree of protection, for panel mounting frame and sleeve housing VS-25-...

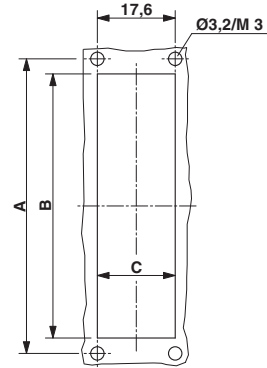
### Drawings

Dimensioned drawing



D-SUB panel mounting frame

Dimensioned drawing



Panel cutout: VS-25-A...