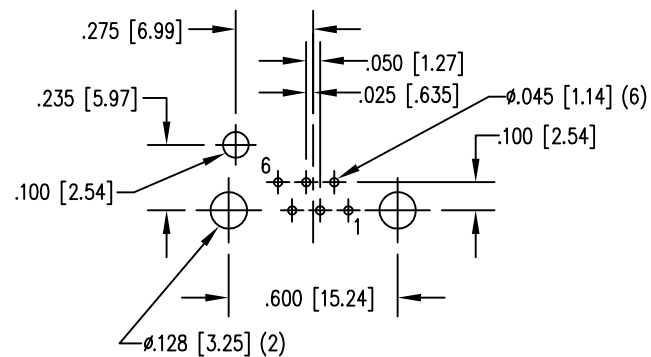
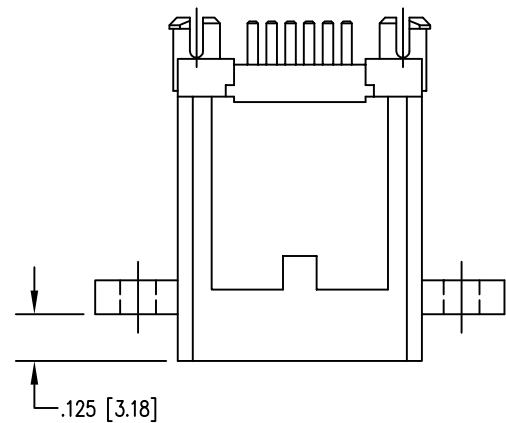
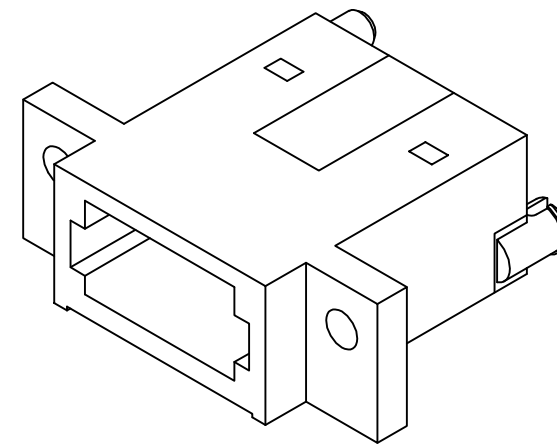
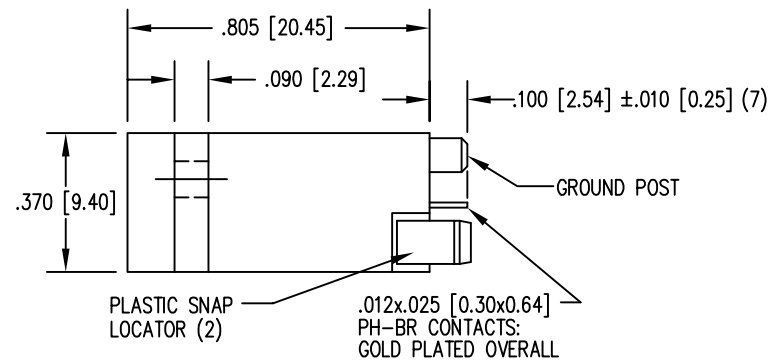
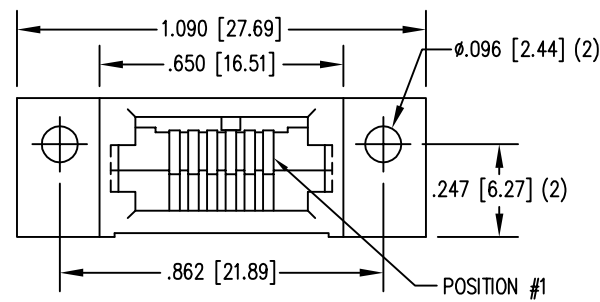
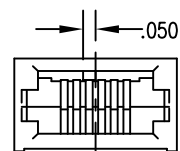
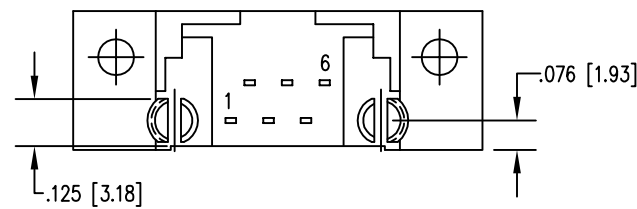


| DATE | REV | ECN | APP'D. BY |
|---------|-----|-------|-----------|
| 1/25/06 | A4 | 7453 | JM |
| 4/11/06 | A5 | 7579 | TRM |
| 1/13/15 | A6 | 10183 | TRM |



PC BOARD TOP VIEW



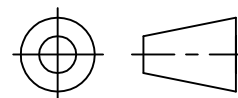
DIMENSIONS FOR KEY-3

NOTES:

- CONNECTOR MATERIALS:
HOUSING: THERMOPLASTIC UL94 V-0
CONTACTS/SHIELD: COPPER ALLOY
SHIELD PLATING: NICKEL OR TIN
CONTACT PLATING: SELECTIVE GOLD IN CONTACT AREA
SEE CHART FOR PART NUMBER
- FOR PRODUCT SPECIFICATIONS SEE PR026-01.

| | |
|-----------------------------------|----------------------|
| 30 MICRO-INCHES [0.76um] | SS-620606-FF-P1-3-4/ |
| CONTACT PLATING IN MATING AREA | PART NUMBER |

THIRD ANGLE PROJECTION



1118 Susquehanna Trail South
Glen Rock, PA 17327-9199
(717) 235-7512

<http://www.stewartconnector.com>

DO NOT SCALE DRAWING
DRAWING IS SUBJECT TO
CHANGE WITHOUT NOTICE

TITLE: 6 X6 COMPU-SHIELD JACK FINAL ASSY, FLANGED,
KEYED, #4-40 TAP ON ø.096 HOLES

DIMENSIONS: INCHES [METRIC]

THIS DRAWING AND THE SUBJECT MATTER SHOWN THEREON ARE
CONFIDENTIAL AND THE PROPRIETARY PROPERTY OF STEWART CONNECTOR
AND SHALL NOT BE REPRODUCED, COPIED, OR USED IN ANY MANNER WITHOUT
PRIOR WRITTEN CONSENT OF STEWART CONNECTOR. THIS PRODUCT
MAY BE PROTECTED BY ONE OR MORE OF THE FOLLOWING US PATENTS:
5791942 6217391 6368159 6419526 6602097 687722
6964587 7048590 7086909 7568950 7686650
OTHER PATENTS MAY BE PENDING.

DRN BY: KRL DATE 1/25/06

APPD BY: TRM DATE 4-11-06

DWG NO. CT620010 REV. A6

SHEET NO. 1 OF 1

