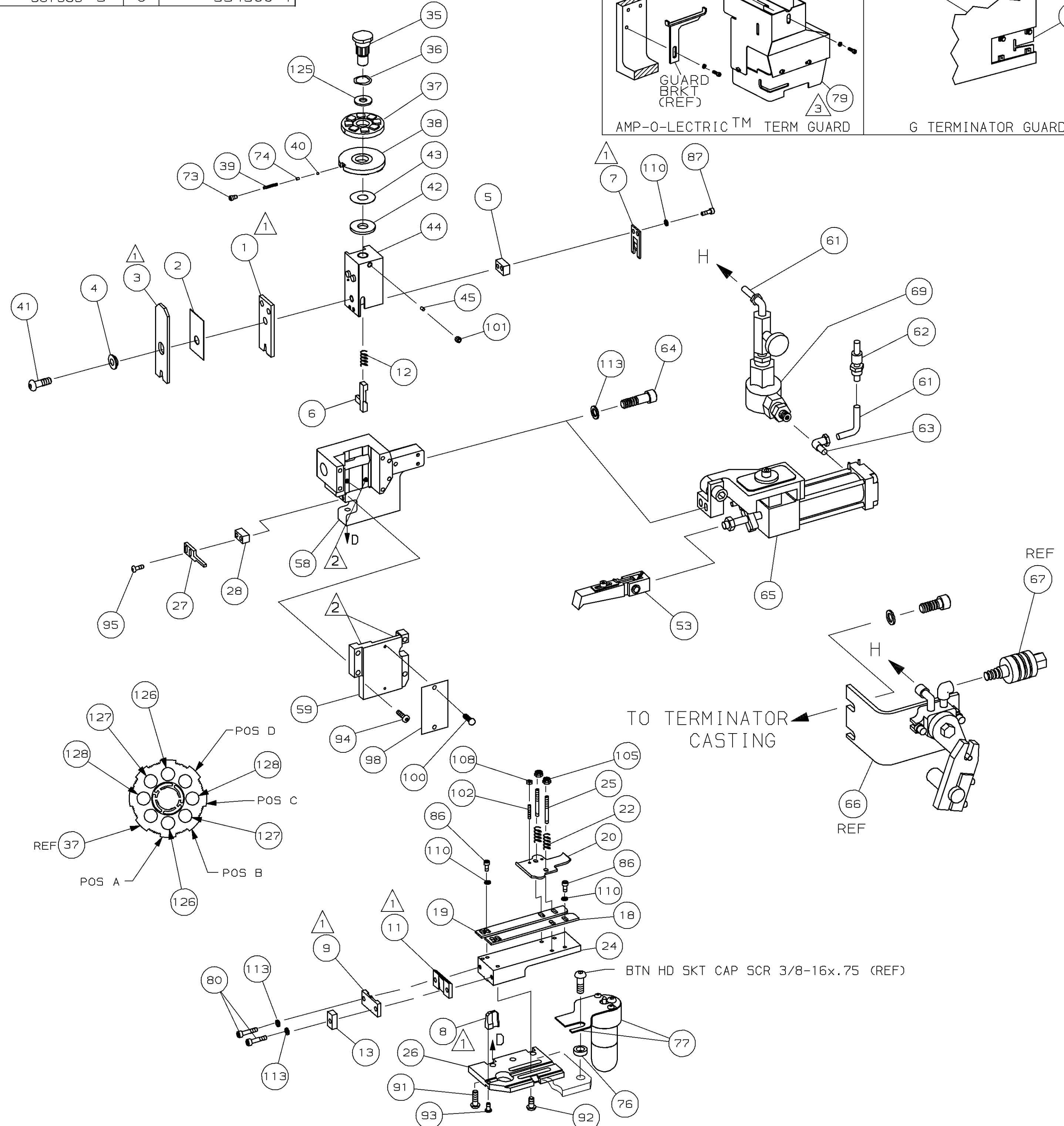
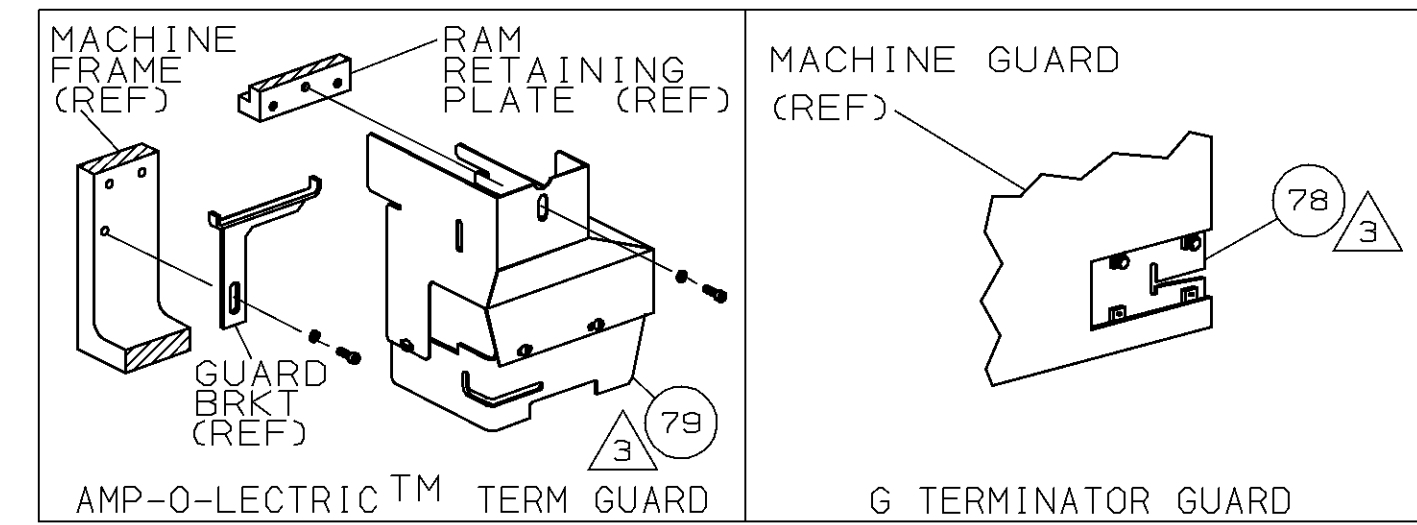


| PART NUMBER | REV | FIRST USED |
|-------------|-----|------------|
| 567385-2 | C | 565435-5 |
| 567385-3 | C | 354500-1 |



- ① RECOMMENDED SPARE PARTS.
- ② GREASE LIGHTLY.
- ③ GUARD MUST BE IN PLACE WHEN OPERATING APPLICATOR IN A BENCH MACHINE.
- ④ SEE DRAWING FOR COMPONENTS

TERMINAL NAME: RING ANTIROTATION AMPLIVAR™

| |
|--------|
| 485045 |
| 485046 |
| 485079 |

CRIMPING DATA

| PAD LTR | CRIMP HEIGHT | WIRE SIZE |
|---------|--------------|-----------|
| A | .084 ±.002 | 14 |
| B | .078 ±.002 | 16 |
| C | .073 ±.002 | 18 |
| D | NOT | USED |

| CRIMP | SIZE | TYPE | RANGE |
|-------|-------|-----------|--------------------|
| WIRE | .130 | F | 18-14 MAG |
| INSUL | .180 | 0 | .080-.120 |
| FEED | 1.000 | APPL INST | SET UP GAGE LAYOUT |
| | | | 458638-1 L1393 |

WIRE STRIP LENGTH -

| QTY | REV | U/M | DWG SIZE | PART NO | DESCRIPTION | ITEM NO | |
|-----|-------|-------|----------|---------------|-------------|------------------------------|----|
| -2 | | | | BENCH MODEL K | AIRFEED | | |
| -3 | | | | BENCH MODEL G | AIRFEED | | |
| ④ | - | 1 | - | C | 692655-5 | AIR FEED VALVE ASSY | 70 |
| | - | REF | - | A | 24042-2 | VALVE, SHUT OFF | 67 |
| ④ | - | REF | - | C | 692655-6 | AIR FEED VALVE ASSY | 66 |
| ④ | 1 | 1 | - | B | 460277-2 | AIR FEED ASSY | 65 |
| | 2 | 2 | - | A | 3-21000-9 | SCR,SHC 10-32x1.00 AIR ASSY | 64 |
| | 1 | - | - | A | 22294-6 | ELBOW, TUBING 1/8NPT - 1/4 T | 63 |
| | 1 | - | - | A | 23238-1 | QUICK DISCONNECT | 62 |
| | 12.00 | 12.00 | IN | A | 27319-4 | TUBING, POLY-FLO Ø.25 | 61 |
| | | | | | | | 60 |
| | 1 | 1 | - | C | 454220-1 | CAP, RAM | 59 |
| | 1 | 1 | - | D | 453736-1 | HOUSING | 58 |
| | | | | | | | 57 |
| | | | | | | | 56 |
| | | | | | | | 55 |
| | | | | | | | 54 |
| ④ | 1 | 1 | - | B | 460680-1 | FEED FINGER ASSY | 53 |
| | | | | | | | 52 |
| | | | | | | | 51 |
| | | | | | | | 50 |
| | | | | | | | 49 |
| | | | | | | | 48 |
| | | | | | | | 47 |
| | | | | | | | 46 |
| | 1 | 1 | - | A | 690191-1 | PLUG, NYLON | 45 |
| | 1 | 1 | - | C | 455674-1 | RAM | 44 |
| | 1 | 1 | - | A | 690125-1 | WASHER, LAMINATED | 43 |
| | 1 | 1 | - | A | 690124-9 | WASHER, RAM | 42 |
| | 1 | 1 | - | A | 7-21002-9 | BOLT, CRIMPER (5/16-24x1.00) | 41 |
| | 1 | 1 | - | A | 23241-6 | BALL, STEEL | 40 |
| | 1 | 1 | - | A | 690170-1 | SPRING, COMPRESSION | 39 |
| | 1 | 1 | - | C | 690142-1 | DISC, INSULATION | 38 |
| | 1 | 1 | - | D | 354777-1 | WIRE DISC, PLASTIC | 37 |
| | 1 | 1 | - | A | 22480-5 | WASHER, SPRING | 36 |
| | 1 | 1 | - | B | 690212-1 | POST, RAM | 35 |
| | | | | | | | 34 |
| | | | | | | | 33 |
| | | | | | | | 32 |
| | | | | | | | 31 |
| | | | | | | | 30 |
| | | | | | | | 29 |
| | 1 | 1 | - | B | 3-690451-2 | SPACER, STRIPPER | 28 |
| | 1 | 1 | - | A | 240639-1 | STRIPPER | 27 |
| | 1 | 1 | - | D | 455676-1 | PLATE, BASE | 26 |
| | 2 | 2 | - | A | 22354-8 | DRAG, STUD | 25 |
| | 1 | 1 | - | B | 455678-1 | PLATE, STRIP GUIDE | 24 |
| | | | | | | | 23 |
| | 2 | 2 | - | A | 4-22281-1 | SPRING, DRAG | 22 |
| | | | | | | | 21 |
| | 1 | 1 | - | A | 454177-1 | DRAG, STOCK | 20 |
| | 1 | 1 | - | B | 4-458030-4 | GUIDE, STRIP (REAR) | 19 |
| | 1 | 1 | - | C | 4-458031-4 | GUIDE, STRIP (FRONT) | 18 |
| | | | | | | | 17 |
| | | | | | | | 16 |
| | | | | | | | 15 |
| | | | | | | | 14 |
| | 1 | 1 | - | C | 690481-2 | SPACER, HOLD DOWN | 13 |
| | 1 | 1 | - | A | 23846-1 | SPRING, HOLD DOWN | 12 |
| | 1 | 1 | - | B | 240644-1 | PLATE, REAR SHEAR | 11 |
| | | | | | | | 10 |
| ① | 1 | 1 | - | B | 690496-4 | PLATE, FRONT SHEAR | 9 |
| ① | 1 | 1 | - | D | 1-459866-6 | ANVIL | 8 |
| ① | 1 | 1 | - | B | 690474-3 | BLADE, SLUG | 7 |
| ① | 1 | 1 | - | D | 455892-2 | HOLD DOWN, TERMINAL | 6 |
| | 1 | 1 | - | C | 1-240641-5 | SPACER, SLUG BLADE | 5 |
| | 1 | 1 | - | B | 238009-1 | SPACER, BLOCK CRIMPER | 4 |
| | 1 | 1 | - | C | 456135-4 | CRIMPER, INSULATION | 3 |
| | 1 | 1 | - | B | 455888-8 | SPACER, CRIMPER | 2 |
| ① | 1 | 1 | - | C | 456424-6 | CRIMPER, WIRE | 1 |

| QTY | REV | U/M | DWG SIZE | PART NO | DESCRIPTION | ITEM NO |
|-----|-----|-----|----------|------------|---------------------------------|---------|
| 2 | 2 | - | C | 7-354778-5 | PIN, WIRE DISC (.2870)C | 129 |
| 2 | 2 | - | C | 6-354778-5 | PIN, WIRE DISC (.2820)B | 127 |
| 2 | 2 | - | C | 5-354778-3 | PIN, WIRE DISC (.2760)A | 126 |
| 1 | 1 | - | A | 986950-1 | WASHER, FLAT PRECISION | 125 |
| | | | | | | 124 |
| | | | | | | 123 |
| | | | | | | 122 |
| | | | | | | 121 |
| | | | | | | 120 |
| | | | | | | 119 |
| | | | | | | 118 |
| | | | | | | 117 |
| | | | | | | 116 |
| | | | | | | 115 |
| | | | | | | 114 |
| 4 | 4 | - | A | 21024-5 | WASHER, LOCK (NO.10) SHEAR PL | 113 |
| | | | | | | 112 |
| | | | | | | 111 |
| 6 | 6 | - | A | 21024-4 | WASHER, LOCK (NO.8) SHEAR BL | 110 |
| | | | | | | 109 |
| 2 | 2 | - | A | 21018-4 | NUT, HEX (4-40) DRAG | 108 |
| | | | | | | 107 |
| | | | | | | 106 |
| 2 | 2 | - | A | 21022-2 | NUT, HEX SL (8-32) DRAG STUD | 105 |
| | | | | | | 104 |
| | | | | | | 103 |
| 2 | 2 | - | A | 4-21078-8 | SKT SKT SET (4-40x.75) DRAG | 102 |
| 1 | 1 | - | A | 21009-2 | SCR, SKT SET (1/4-20x.25) RAM | 101 |
| 2 | 2 | - | A | 21017-2 | SCR, DRIVE (#2x.19) ID PLATE | 100 |
| | | | | | | 99 |
| 1 | 1 | - | B | 461264-1 | PLATE, IDENTIFICATION | 98 |
| | | | | | | 97 |
| | | | | | | 96 |
| 2 | 2 | - | A | 2-21002-2 | SCR, BHC (8-32x.50) STRIPPER | 95 |
| 4 | 4 | - | A | 2-21002-9 | SCR, BHC (10-32x.75) CAP | 94 |
| 1 | 1 | - | A | 22733-8 | SCR, BHC (8-32x.38 LW) ANVIL | 93 |
| 4 | 4 | - | A | 3-21002-3 | SCR, BHC (1/4-20x.50) ST 6D PL | 92 |
| 3 | 3 | - | A | 2-22733-8 | SCR, BHC (1/4-20x.62) HSG | 91 |
| | | | | | | 90 |
| | | | | | | 89 |
| | | | | | | 88 |
| 2 | 2 | - | A | 2-21000-8 | SCR, SHC (8-32x.62) SLUG BLADE | 87 |
| 4 | 4 | - | A | 2-21000-5 | SCR, SHC (8-32x.25) STRIP GUIDE | 86 |
| | | | | | | 85 |
| | | | | | | 84 |
| | | | | | | 83 |
| | | | | | | 82 |
| | | | | | | 81 |
| 2 | 2 | - | A | 3-21000-8 | SCR, SKT CAP (10-32x.88) SH PL | 80 |
| - | 1 | - | A | 455750-8 | GUARD ASSY | 79 |
| REF | - | - | A | 679532-1 | INSERT, GUARD | 78 |
| - | 1 | - | C | 465184-9 | LUBRICATOR ASSY | 77 |
| - | 1 | - | A | 454406-1 | SPACER, LUB BRACKET | 76 |
| | | | | | | 75 |
| 1 | 1 | - | A | 690603-1 | SPRING, ASSIST | 74 |
| 1 | 1 | - | A | 23030-1 | SCR, SKT CAP (6-32x.25) CP DSC | 73 |
| | | | | | | 72 |
| | | | | | | 71 |

| QTY | REV | U/M | DWG SIZE | PART NO | DESCRIPTION | ITEM NO |
|-----|-----|-----|----------|---------|-------------|---------|
| -3 | -2 | | | | | |

| QTY | REV | U/M | DWG SIZE | PART NO | DESCRIPTION | ITEM NO |
|-----|-----|-----|----------|---------|-------------|---------|
| -3 | -2 | | | | | |

THIS DRAWING IS A CONTROLLED DOCUMENT

THIS DRAWING IS UNPUBLISHED. MAY 15, 1998 RELEASED FOR PUBLICATION BY AMP INCORPORATED. ALL INTERNATIONAL RIGHTS RESERVED. © COPYRIGHT 1998

LOC A
DIST 66

DIMENSIONS IN INCHES. DO NOT SCALE PRINT. TOLERANCES UNLESS OTHERWISE SPECIFIED:
 2 PLC DEC ±.25
 3 PLC DEC ±.
 4 PLC DEC ±.
 ANGLES ±.
 SURF TEXTURE: REMOVE BURRS, BREAK SHARP EDGES R.015 MAX

MATL - HT TR - FIN -

DR 8/30/94 APP 8-30-94
 D.SALTZER T.BEDDICK
 CHK 8-30-94 REL 12/22/94
 C.ERISMAN B. MORGAN

AMP Incorporated Harrisburg, PA 17105-3608

NAME END FEED HDM APPLICATOR MACHINE REF
 SCALE - DWG NO 567385 SHEET 1 OF 1 REV C

CAGE CODE 00779 CUSTOMER AND ASSEMBLY DRAWING RESTRICTED TO