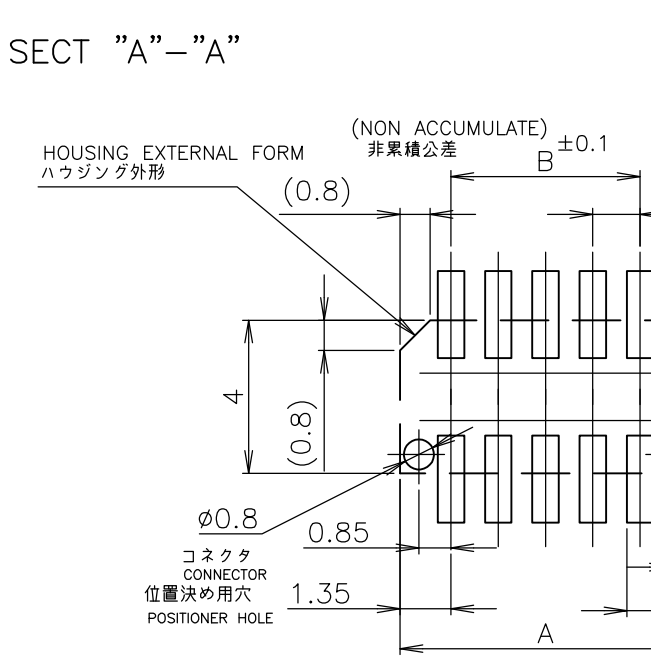
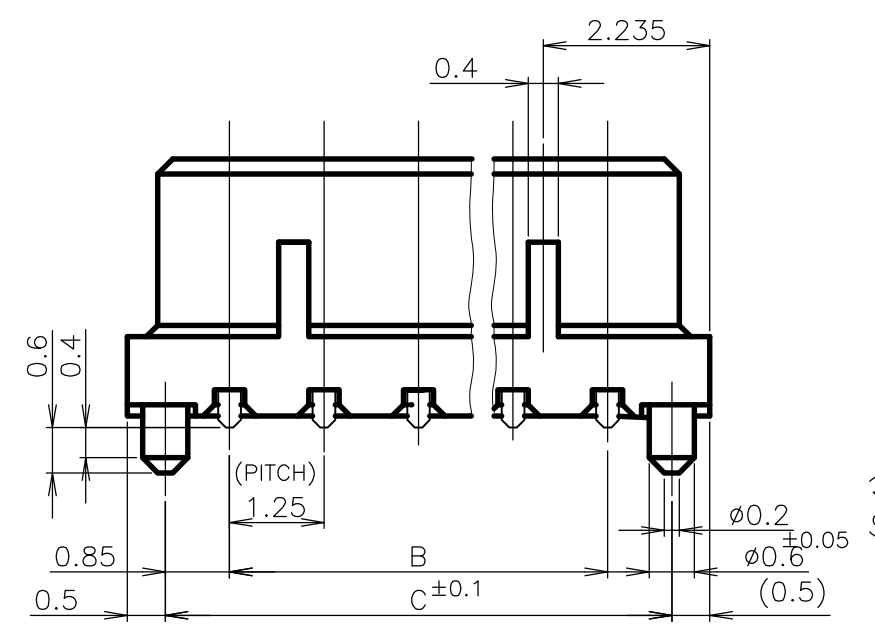
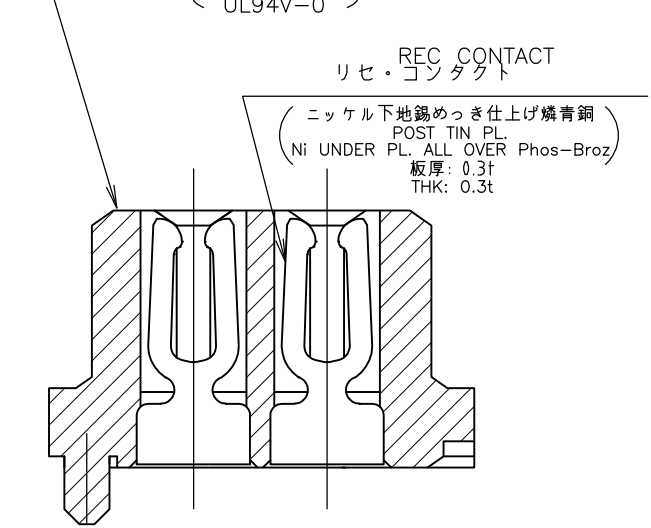
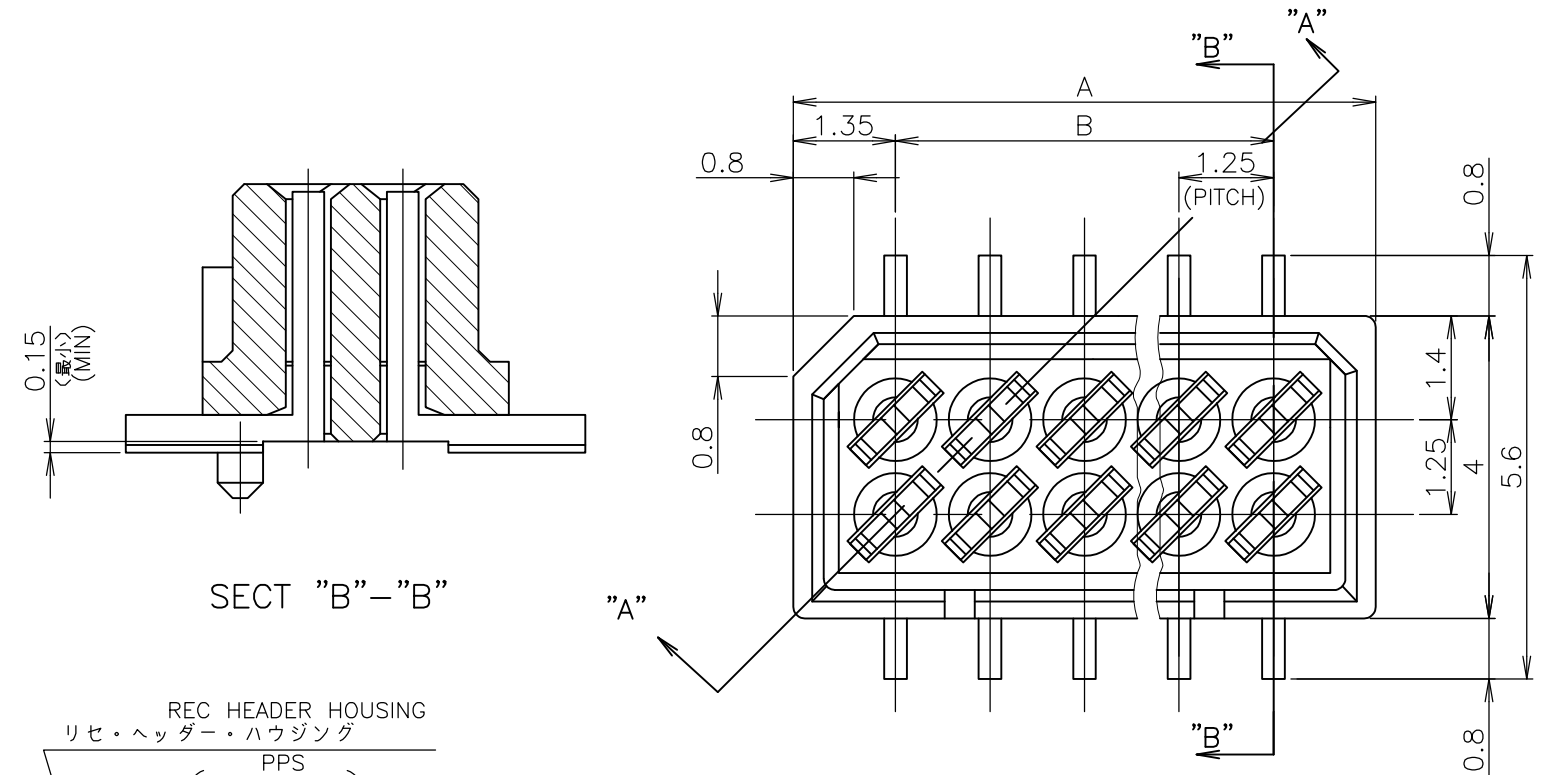


THIS DRAWING IS UNPUBLISHED. RELEASED FOR PUBLICATION ? . ? .
 © COPYRIGHT ? By Tyco Electronics Japan G.K. ALL RIGHTS RESERVED.

REVISIONS				
P	LTR	DESCRIPTION	DATE	DWN APVD
G		変更 ECR-16-003360	07MAR2017	WL SY

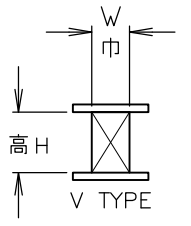


1 嵌合相手製品型番及び、嵌合時寸法は
 MATING COUNTER PART NUMBER AND DIMENSIONS
 表-1 参照のこと。
 AFTER MATING: SEE TABLE 1.

嵌合時寸法: 巾(mm)×高さ(mm)
 DIMENSIONS AFTER MATING: WIDE(mm) x HEIGHT(mm)

MATING COUNTER CONN 嵌合相手側コネクタ POST HDR ASSY		高さ H	REC HDR ASSY SMT V TYPE WITH BOSS X-176311-X	
製品型番	P/N			
DIP TYPE	X-174643-X	3.95	5.6 (巾W) x 5.0 (高さH)	
		5.95	5.6 (巾W) x 7.0 (高さH)	
	X-176320-X	8.85	5.6 (巾W) x 10.0 (高さH)	
X-176871-X	9.85	5.6 (巾W) x 11.0 (高さH)		
SMT TYPE	ボス無 WITHOUT BOSS ボス付 WITH BOSS	X-174645-X	3.95	5.6 (巾W) x 5.0 (高さH)
		X-174621-X	5.45	5.6 (巾W) x 6.5 (高さH)
	X-174645-X X-174821-X	5.95	5.6 (巾W) x 7.0 (高さH)	
		6.85	5.6 (巾W) x 8.0 (高さH)	
	X-176769-X X-176140-X	8.85	7.0 (巾W) x 10.0 (高さH)	
		9.35	7.0 (巾W) x 10.5 (高さH)	
	X-178041-X X-176757-X	9.85	7.0 (巾W) x 11.0 (高さH)	

TABLE 1 SMT TYPEは、巾及び高さ寸法に
 SMT TYPE INCLUDE DIMENSIONS
 半田付タイン部寸法を含みます。
 OF SOLDER DIP TIME.



OBSOLETE	19.20	17.50	20.20	30	6-	-0
	16.70	15.00	17.70	26	5-	-6
	15.45	13.75	16.45	24	5-	-4
OBSOLETE	14.20	12.50	15.20	22	5-	-2
黒色 BLACK	10.45	8.75	11.45	16	4-	176311-6
色別 COLOR	C	B	A	極数 Pos.		型番 P/N

THIS DRAWING IS A CONTROLLED DOCUMENT.

DIMENSIONS: 単位: 珪 mm	TOLERANCES UNLESS OTHERWISE SPECIFIED: 一般公差	DWN S.KANEKI 22JUN89	TE Connectivity 1.25 F-P CONNECTOR B-T-B DOUBLE ROW REC HDR ASSY (V) SMT TYPE WITH BOSS IMPROVED
	0-PLC ± 1-PLC ± 2-PLC ± 3-PLC ± 4-PLC ± ANGLES ±	CHK J.TANIGAWA 22JUN89	
		APVD N.ONOUE 22JUN89	
MATERIAL 材料	FINISH 仕上	NAME 名称	

AS SHOWN 図中参照 AS SHOWN 図中参照

PRODUCT SPEC 製品規格	SIZE A3	CAGE CODE 00779	DRAWING NO C-176311	RESTRICTED TO
APPLICATION SPEC 取付適用規格	WEIGHT 0.000000	SCALE 尺度 10:1	SHEET 1 OF 1	REV G

CUSTOMER DRAWING