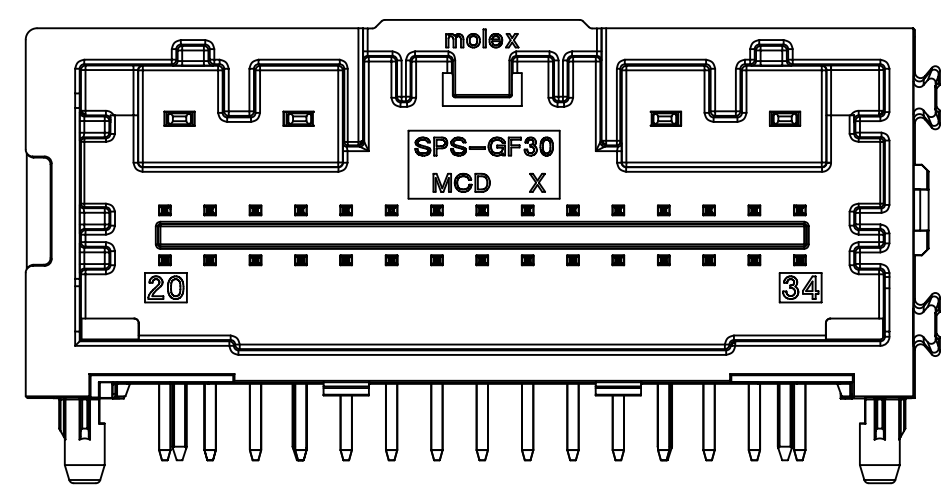
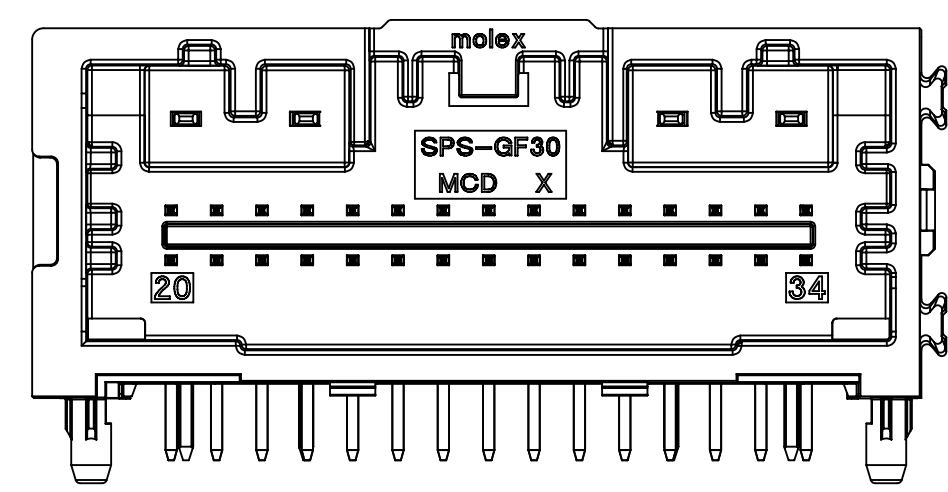


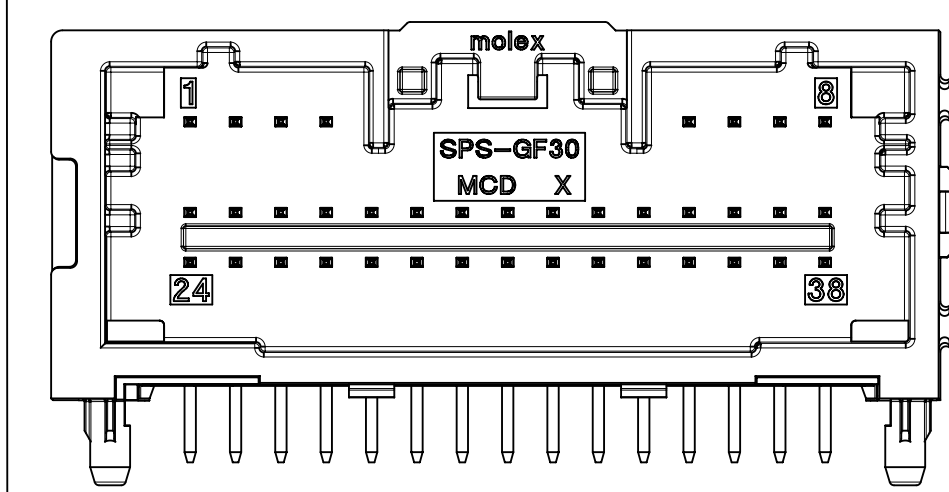
34WAY POLARIZATION OPTION 'A'
P/N: 34961-0340



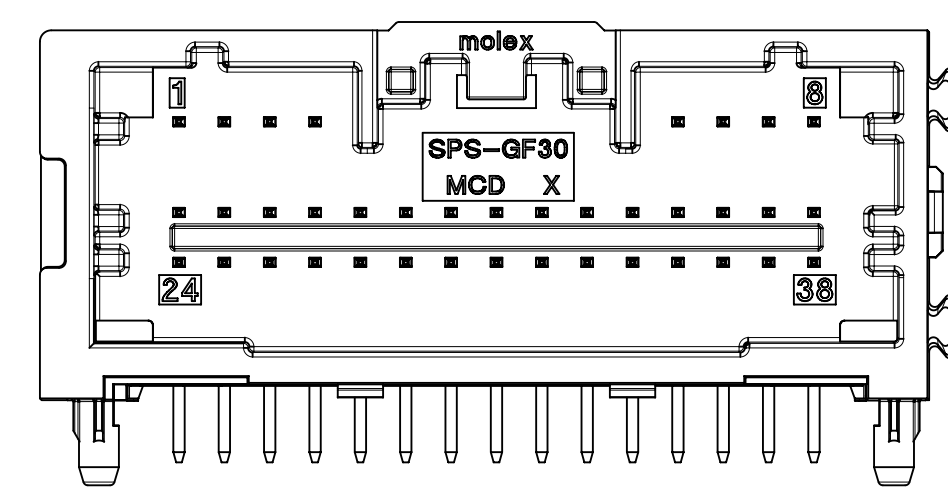
34WAY POLARIZATION OPTION 'B'
P/N: 34961-0341



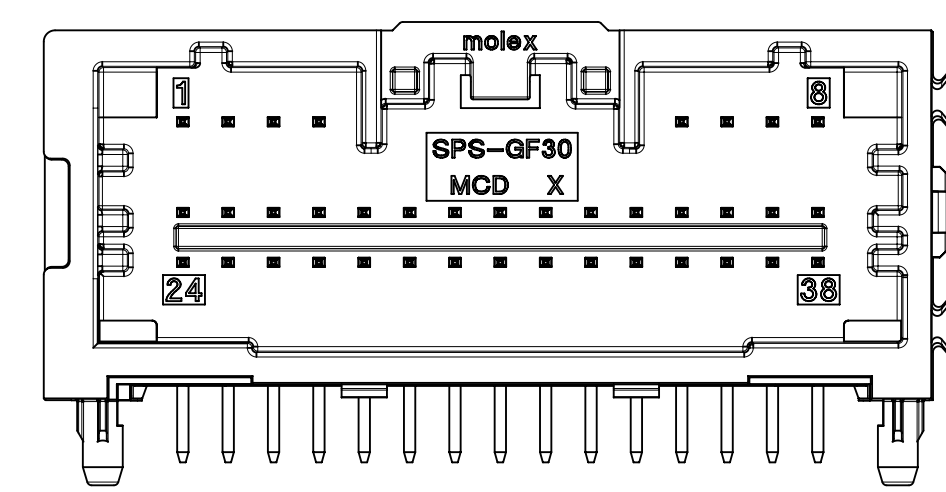
34WAY POLARIZATION OPTION 'C'
P/N: 34961-0342



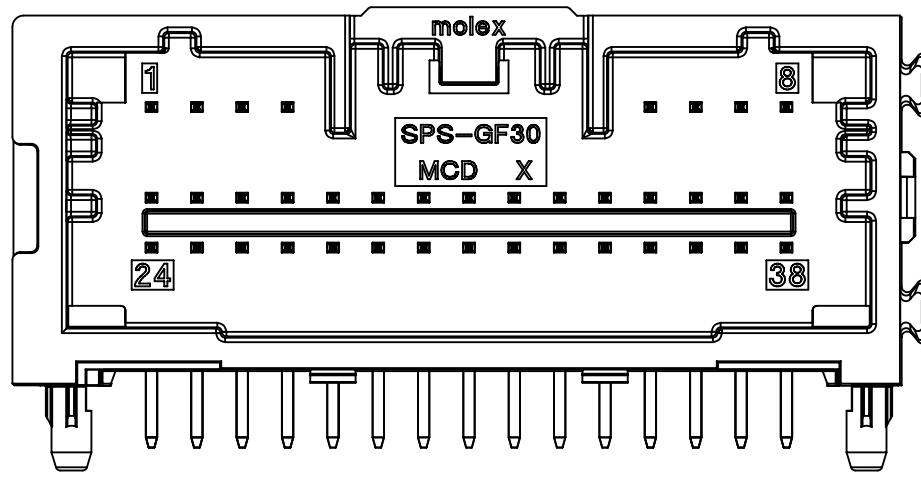
38WAY POLARIZATION OPTION UPDATED 'A'
P/N: 34961-0383



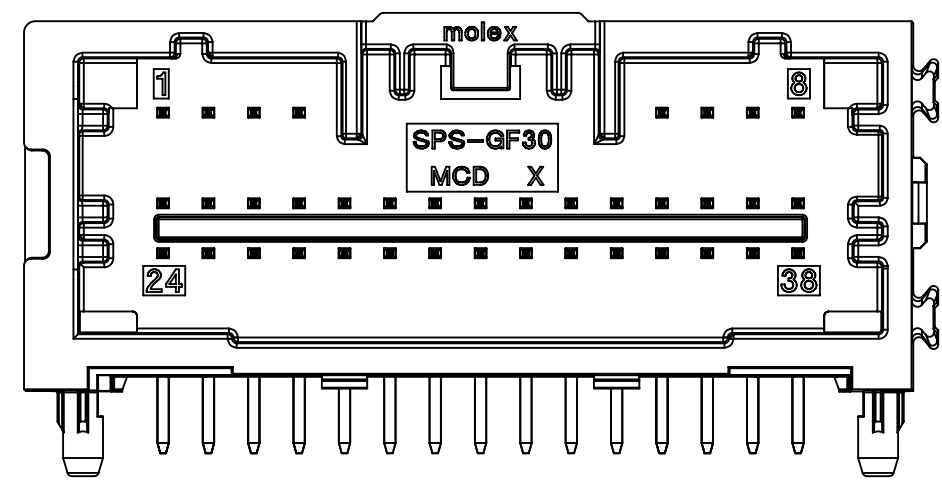
38WAY POLARIZATION OPTION UPDATED 'B'
P/N: 34961-0384



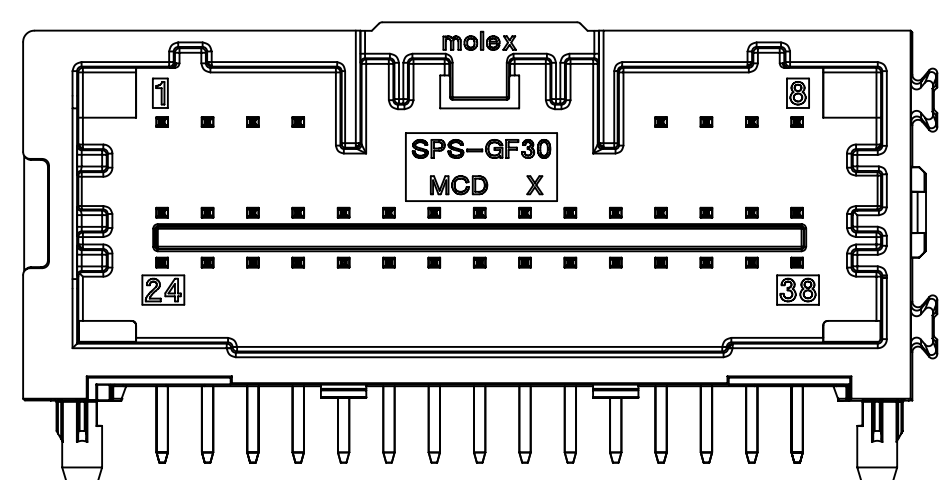
38WAY POLARIZATION OPTION UPDATED 'C'
P/N: 34961-0385



38WAY POLARIZATION OPTION 'A'
P/N: 34961-0380



38WAY POLARIZATION OPTION 'B'
P/N: 34961-0381



38WAY POLARIZATION OPTION 'C'
P/N: 34961-0382

NOTES: VALID UNLESS OTHERWISE SPECIFIED

1. GENERAL:

a. CONNECTOR HEADER MUST BE VALIDATED TO THE FOLLOWING FUNCTIONAL REQUIREMENTS:

VALIDATION SPECIFICATION = GMW3191 JUNE 2012

SOLDERABILITY = SMES-152

b. APPLICATION REQUIREMENTS (REFERENCE ONLY) FOR:

SEE APPLICATION SPECIFICATION = AS-34959-001

SEE PRODUCT SPECIFICATION = PS-34959-001

MATES WITH: SD-34959-030

c. PACKAGING SPECIFICATION PER MOLEX DRAWING PK-XXXXX-XXX

2. DESIGN: MATERIALS:

a. SHROUD (PLASTIC HOUSING):
RESIN - SPS 30%GF

b. PIN ALIGNMENT PLATE:
RESIN - SPS 30%GF

c. 0.50MM BLADES:
BASE MATERIAL: C26800
PLATING TYPE: AS NOTED

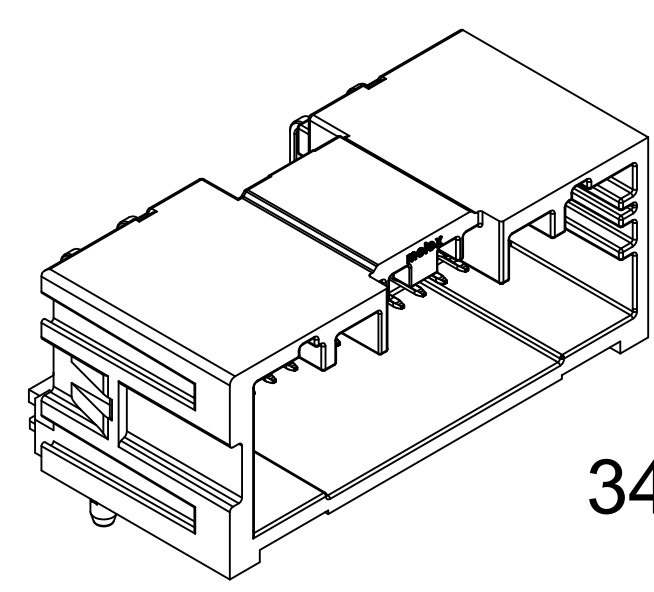
d. 1.20MM BLADES:
BASE MATERIAL: C26800
PLATING TYPE: AS NOTED

3. PLATING REQUIREMENTS:

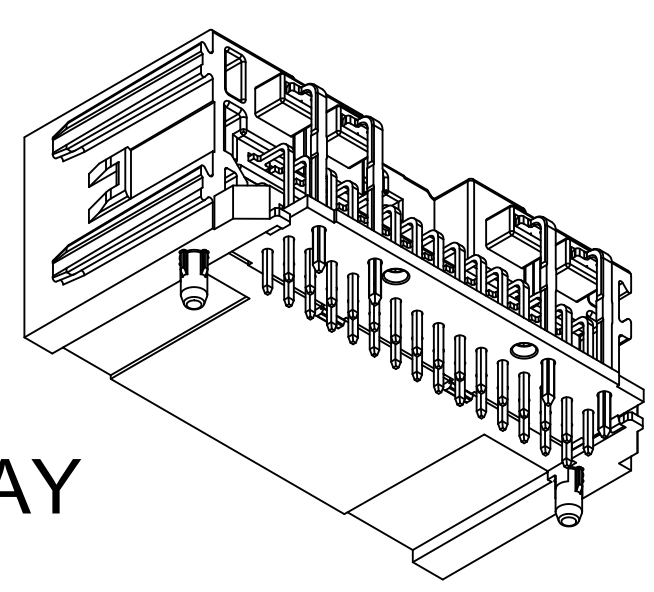
a. UNDERPLATING - OVERALL NICKEL

b. OVERPLATING - OVERALL TIN

MATERIAL NUMBER			CKT SIZE	DESCRIPTION	POL	COLOR	STATUS
TRAY PACKAGING PK-31302-070	TUBE PACKAGING PK-31301-688	TAPE AND REEL PK-47799-0001					
34961-0340	34961-7340	34961-8340	34	34CKT MINI50 RIGHT ANGLE HEADER ASSEMBLY	A	BLACK	SALEABLE
34961-0341	34961-7341	34961-8341	34	34CKT MINI50 RIGHT ANGLE HEADER ASSEMBLY	B	GREY	SALEABLE
34961-0342	34961-7342	34961-8342	34	34CKT MINI50 RIGHT ANGLE HEADER ASSEMBLY	C	DK GREY	SALEABLE
34961-0380	34961-7380	34961-8380	38	38CKT MINI50 RIGHT ANGLE HEADER ASSEMBLY	A	BLACK	SALEABLE
34961-0381	34961-7381	34961-8381	38	38CKT MINI50 RIGHT ANGLE HEADER ASSEMBLY	B	GREY	SALEABLE
34961-0382	34961-7382	34961-8382	38	38CKT MINI50 RIGHT ANGLE HEADER ASSEMBLY	C	DK GREY	SALEABLE
34961-0383	34961-7383	34961-8383	38	38CKT MINI50 RIGHT ANGLE HEADER ASSEMBLY	UPDATED A	BLACK	OK To Tool
34961-0384	34961-7384	34961-8384	38	38CKT MINI50 RIGHT ANGLE HEADER ASSEMBLY	UPDATED B	GREY	OK To Tool
34961-0385	34961-7385	34961-8385	38	38CKT MINI50 RIGHT ANGLE HEADER ASSEMBLY	UPDATED C	DK GREY	OK To Tool



34 WAY

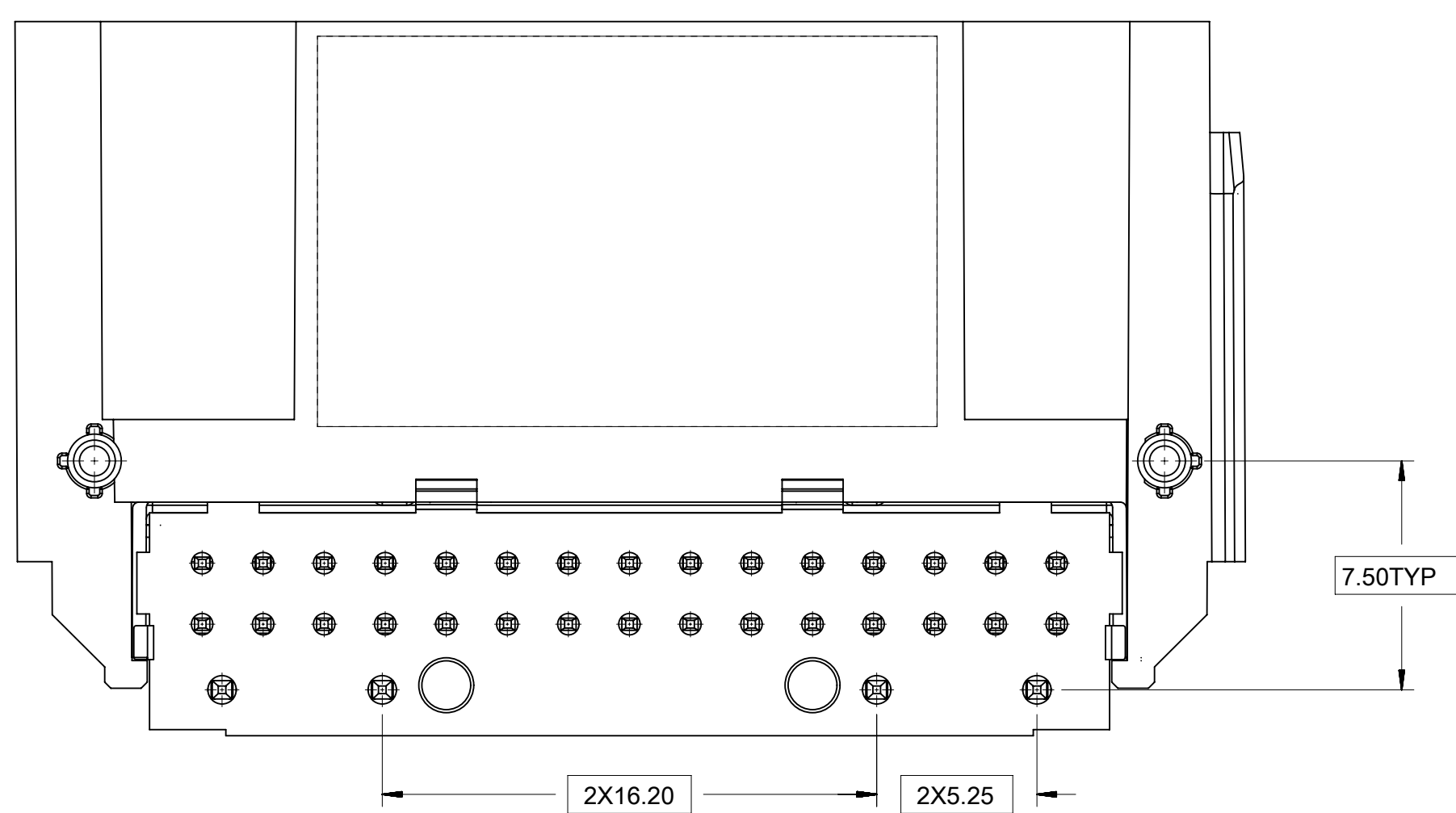
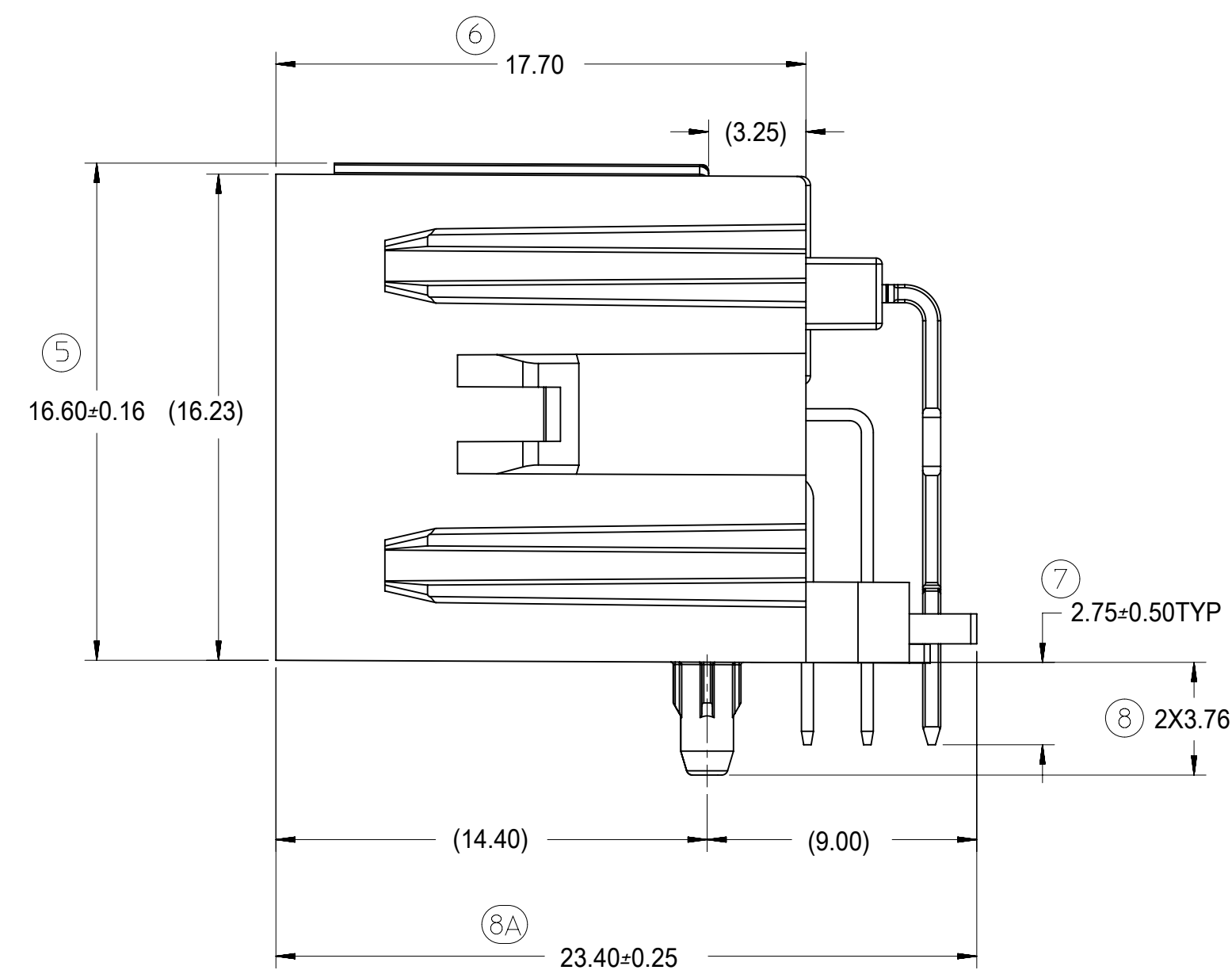
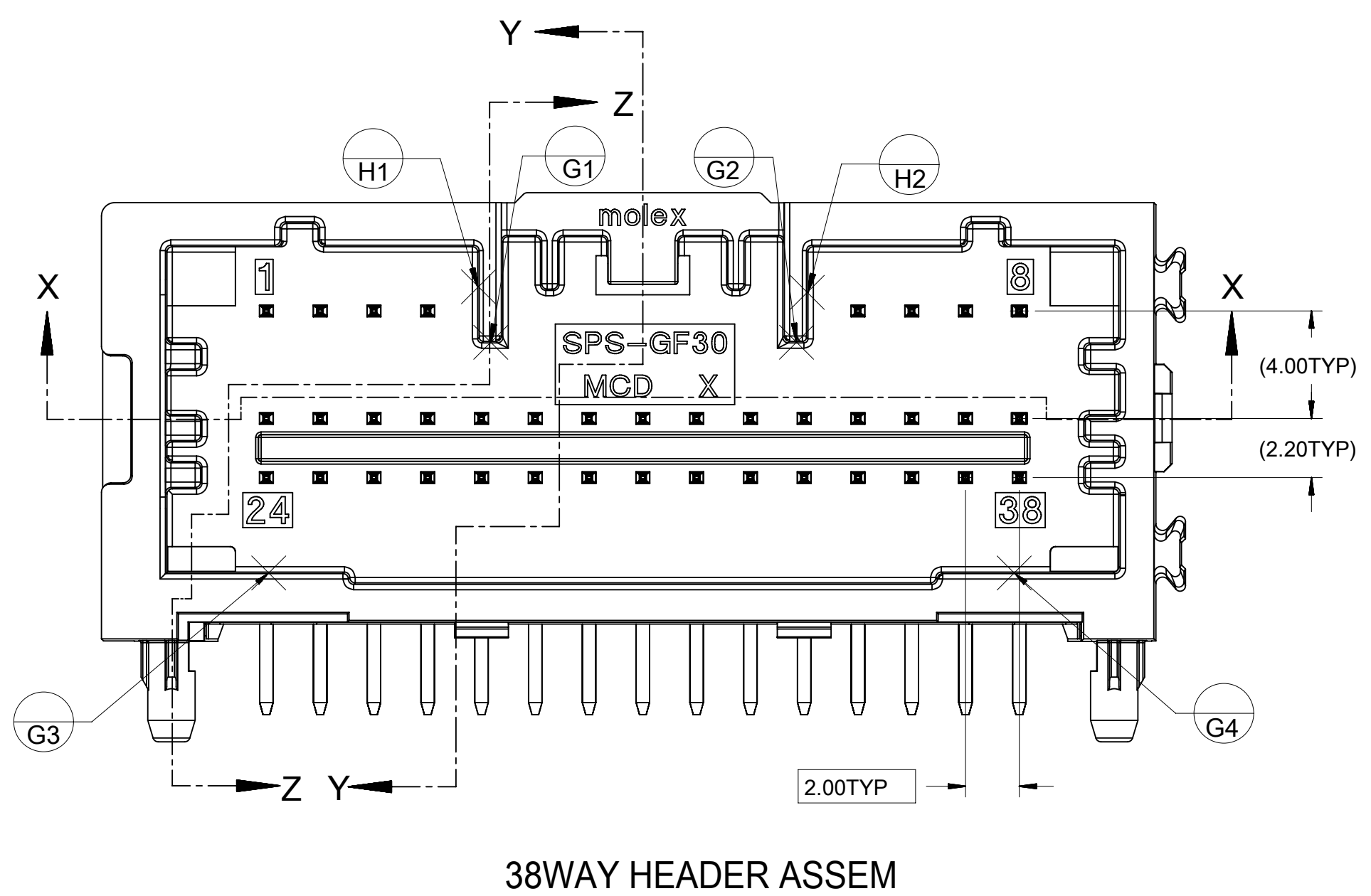
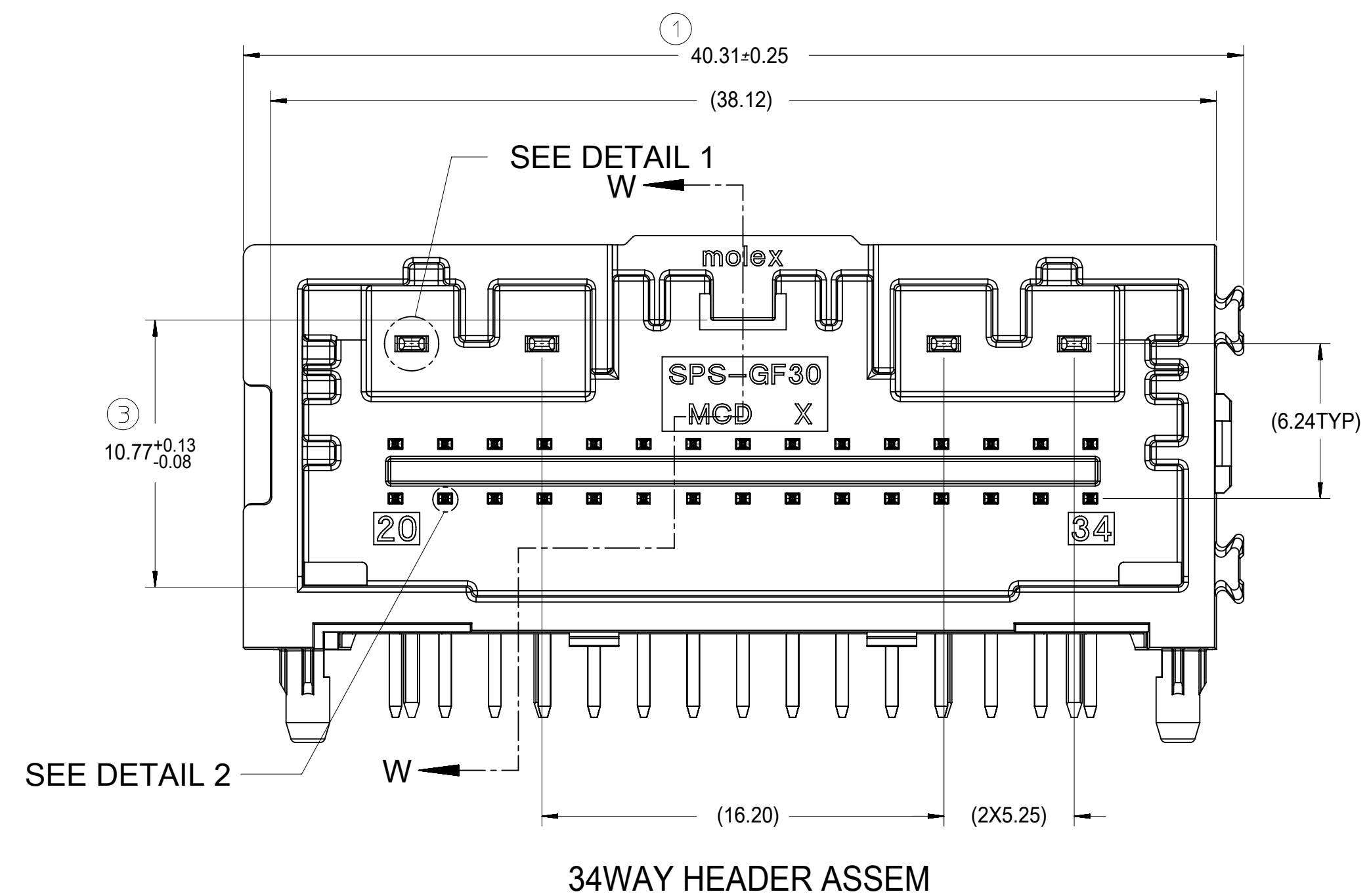


38 WAY

ISOMETRIC VIEW
SCALE 2:1

H	ADDED THE FOLLOW ITEMS TO CUSTOMER DRAWING: 1.ADDED DATUM F,DATUM G AND DATUM H,SEE SHEET 2 AND SHEET 3. 2.ADDED NEW UPWARD VIEW FOR 38WAY HEADER ASSEM. SEE SHEET 2. 3.ADDED NEW VIEW SECTION X-X,SECTION Y-Y,SECTION Z-Z AND SECTION W-W, SEE SHEET 3.	10904363
G	ADDED NEW VIEW OF UPDATED POL A & B C, SEE SHEET 1. ADDED NEW P/N: 34961-0383 \ 34961-0384 \ 34961-0385 \ 34961-7383 \ 34961-7384 \ 34961-7385 \ 34961-8383 \ 34961-8384 \ 34961-8385 IN THE BOM ON SHEET 1. ADDED PRODUCT STATUS IN BOM.	10885609
REV	REV DESCRIPTION	ECN SAP NO.

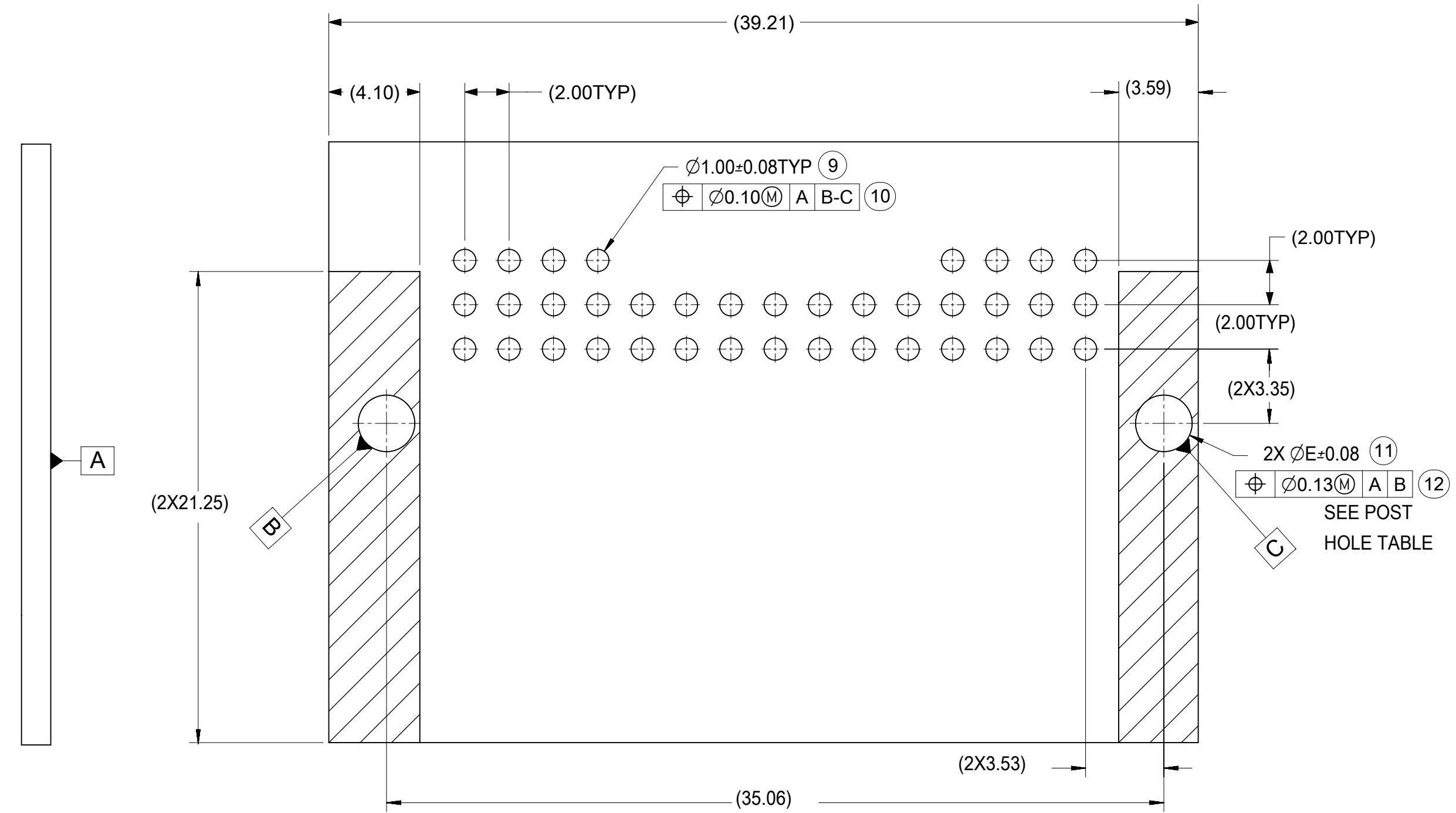
SYMBOLS		THIS DRAWING CONTAINS INFORMATION THAT IS PROPRIETARY TO MOLEX ELECTRONIC TECHNOLOGIES, LLC AND SHOULD NOT BE USED WITHOUT WRITTEN PERMISSION		CURRENT REV DESC:			
▽ = 0	DIMENSION UNITS	SCALE	mm	1:1	EC NO: 178280 DRWN: YPENG47 2018/06/22 CHK'D: CDZHANG 2018/06/22 APPR: JDENG02 2018/06/22 INITIAL REVISION: DRWN: JFISCHER01 2012/11/21 APPR: KDEKOSKI 2012/12/21		34 & 38 CKT MINI50 RIGHT ANGLE HEADER ASSEMBLY SALES DRAWING
▽ = 0	GENERAL TOLERANCES (UNLESS SPECIFIED)						
▽ = 0	ANGULAR TOL	±	1.0°				
▽ = 0	4 PLACES	±					
▽ = 0	3 PLACES	±					
▽ = 0	2 PLACES	±					
▽ = 0	1 PLACE	±					
▽ = 0	0 PLACES	±					
■ = 0	DRAFT WHERE APPLICABLE MUST REMAIN WITHIN DIMENSIONS	THIRD ANGLE PROJECTION	DRAWING	SERIES			
▽ = 0			D-SIZE	34961			
DOCUMENT STATUS		P1	RELEASE DATE	2018/06/22	11:08:51		
DOCUMENT NUMBER		DOC TYPE		DOC PART	REVISION		
SD-34961-030		PSD		001	H		
MATERIAL NUMBER		CUSTOMER		SHEET NUMBER			
34961		GENERAL MARKET		1 OF 4			



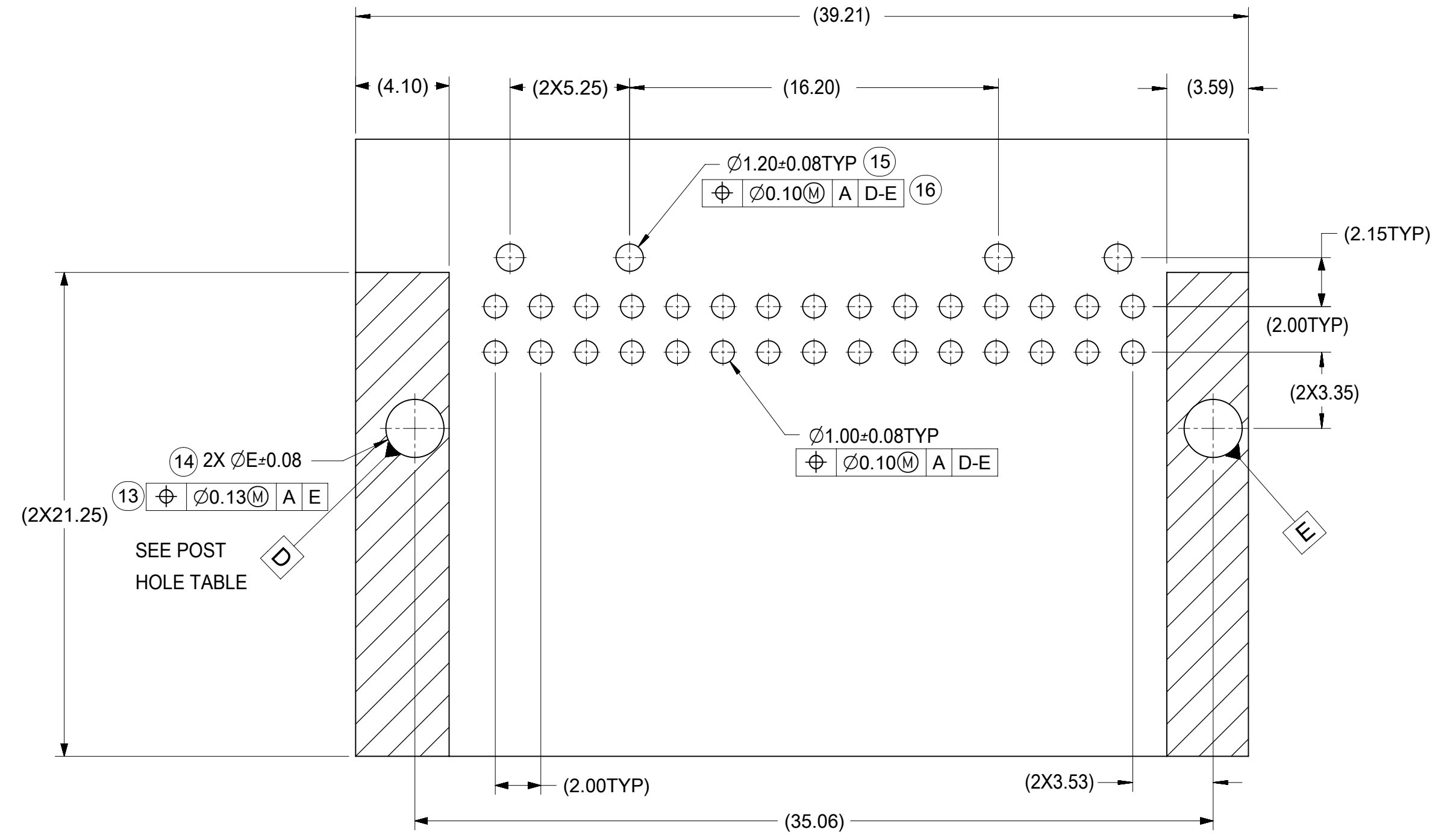
DIN 16901	CODE LETTER	NOMINAL DIMENSION RANGE													
		OVER UP TO	0	1	3	6	10	15	22	30	40	53	70	90	120
PRECISION	A		.10	.12	.14	.16	.20	.22	.24	.26	.28	.31	.35	.40	.50
ENGINEERING	B		.05	.06	.07	.08	.10	.12	.14	.16	.18	.21	.25	.30	.40

A: FOR NON-MOLD RELATED DIMENSIONS (ACROSS PARTING LINE)
 B: FOR MOLD RELATED DIMENSIONS (WITHIN MOLD COMPONENTS)

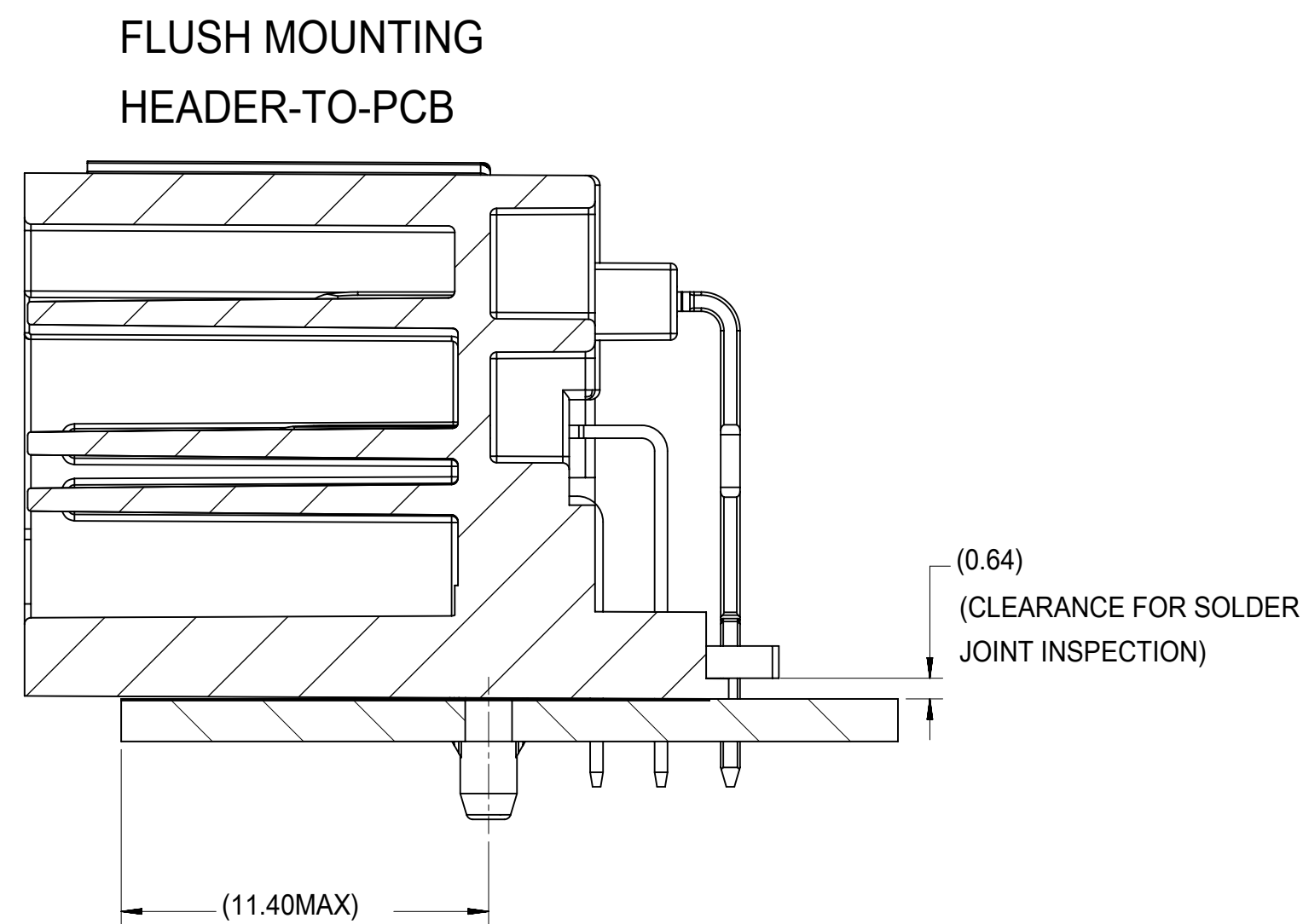
SYMBOLS = 0 = 0 = 0 = 0 = 0 = 0 = 0 = 0	THIS DRAWING CONTAINS INFORMATION THAT IS PROPRIETARY TO MOLEX ELECTRONIC TECHNOLOGIES, LLC AND SHOULD NOT BE USED WITHOUT WRITTEN PERMISSION		CURRENT REV DESC:		<p>34 & 38 CKT MINI50 RIGHT ANGLE HEADER ASSEMBLY SALES DRAWING</p> <p>PRODUCT CUSTOMER DRAWING</p> <table border="1"> <tr> <td>DOCUMENT NUMBER</td> <td>DOC TYPE</td> <td>DOC PART</td> <td>REVISION</td> </tr> <tr> <td>SD-34961-030</td> <td>PSD</td> <td>001</td> <td>H</td> </tr> </table>	DOCUMENT NUMBER	DOC TYPE	DOC PART	REVISION	SD-34961-030	PSD	001	H
	DOCUMENT NUMBER	DOC TYPE	DOC PART	REVISION									
	SD-34961-030	PSD	001	H									
	DIMENSION UNITS	SCALE	mm 10:1										
	GENERAL TOLERANCES (UNLESS SPECIFIED)		EC NO: 178280										
	ANGULAR TOL ± 1.0°		DRWN: YPENG47 2018/06/22										
	4 PLACES ±		CHK'D: CDZHANG 2018/06/22										
	3 PLACES ±		APPR: JDENG02 2018/06/22										
	2 PLACES ±		INITIAL REVISION:										
	1 PLACE ±		DRWN: JFISCHER01 2012/11/21										
0 PLACES ±		2012/12/21											
DRAFT WHERE APPLICABLE MUST REMAIN WITHIN DIMENSIONS		THIRD ANGLE PROJECTION	DRAWING	SERIES	MATERIAL NUMBER	CUSTOMER	SHEET NUMBER						
			D-SIZE	34961		GENERAL MARKET	2 OF 4						



REFERENCE 38WAY PCB LAYOUT




REFERENCE 34WAY PCB LAYOUT



POST HOLE TABLE:

FOR DIM E:	
PRESS FIT:	2.15
DROP IN:	2.55

SYMBOLS ▽ = 0 ▽ = 0 ▽ = 0 ▽ = 0 ▽ = 0 ▽ = 0 ▽ = 0 ▽ = 0 ▽ = 0 ▽ = 0	THIS DRAWING CONTAINS INFORMATION THAT IS PROPRIETARY TO MOLEX ELECTRONIC TECHNOLOGIES, LLC AND SHOULD NOT BE USED WITHOUT WRITTEN PERMISSION		DIMENSION UNITS: mm SCALE: 1:1		CURRENT REV DESC:			
	GENERAL TOLERANCES (UNLESS SPECIFIED)		ANGULAR TOL ± 1.0°		EC NO: 178280		34 & 38 CKT MINI50 RIGHT ANGLE HEADER ASSEMBLY SALES DRAWING	
	4 PLACES ±		3 PLACES ±		DRWN: YPENG47 2018/06/22 CHK'D: CDZHANG 2018/06/22 APPR: JDENG02 2018/06/22		PRODUCT CUSTOMER DRAWING	
	2 PLACES ±		1 PLACE ±		INITIAL REVISION: DRWN: JFISCHER01 2012/11/21 APPR: KDEKOSKI 2012/12/21		DOCUMENT NUMBER: SD-34961-030	
	0 PLACES ±		DRAFT WHERE APPLICABLE MUST REMAIN WITHIN DIMENSIONS		THIRD ANGLE PROJECTION		DOC TYPE: PSD DOC PART: 001 REVISION: H	
	D-DRAWING		SERIES: 34961		MATERIAL NUMBER:		CUSTOMER: GENERAL MARKET	
	SHEET NUMBER: 4 OF 4		SHEET NUMBER:		SHEET NUMBER:		SHEET NUMBER:	
	DOCUMENT STATUS: P1		RELEASE DATE: 2018/06/22 11:08:51		SHEET NUMBER:		SHEET NUMBER:	
	DIMENSION UNITS:		SCALE:		CURRENT REV DESC:		SHEET NUMBER:	