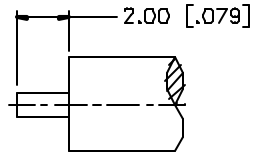
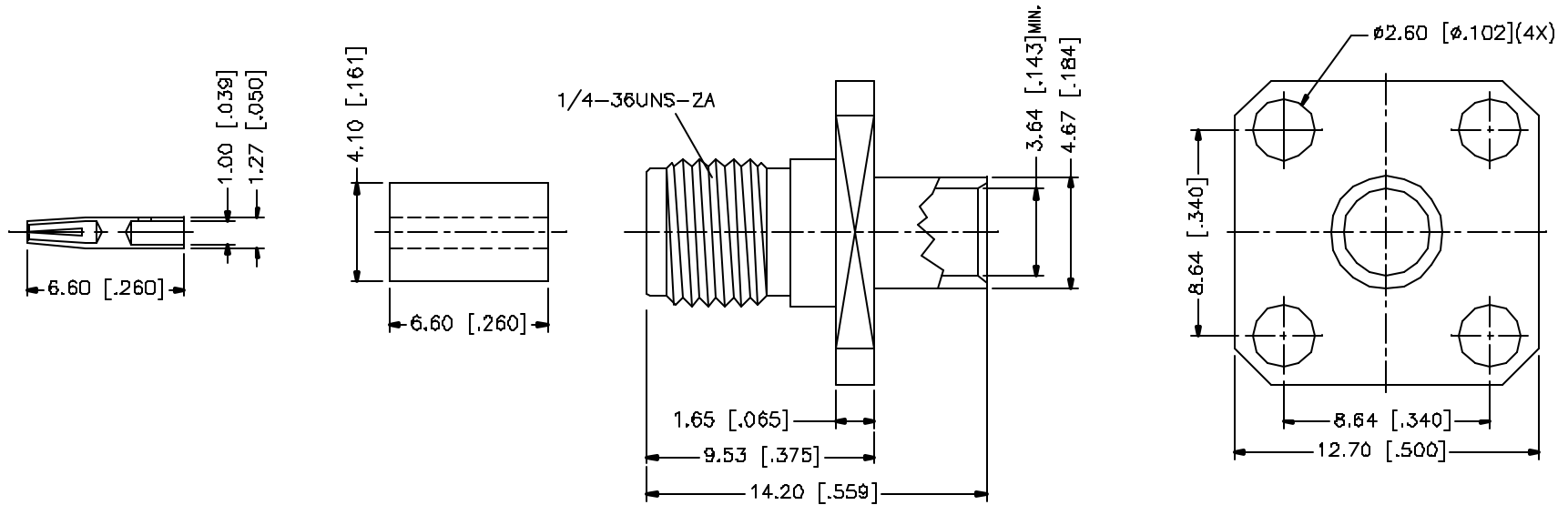


| REV. | DATE | DESCRIPTION |
|------|----------|-----------------------|
| A | 05/24/05 | UPDATE DRAWING FORMAT |



RECOMMENDED
CABLE STRIPPING DIM'S



| | | | | | | | | | | |
|---|-------------|-------------|---------|---------|---|-----------|---------------------|---|--|--------|
| 8 | | | | | <small>UNLESS OTHERWISE SPECIFIED DIMENSIONS ARE IN MILLIMETERS. DIMENSIONS IN [] ARE IN INCHES AND FOR CUSTOMER REFERENCE ONLY.</small> <small>UNLESS OTHERWISE SPECIFIED TOLERANCES FOR MILLIMETERS ARE:</small> 0.5 - 8mm ± 0.20mm 8 - 30mm ± 0.40mm 30 - 120mm ± 0.50mm <small>UNLESS OTHERWISE SPECIFIED TOLERANCES FOR INCHES ARE:</small> .020 - .315 = ± 0.007" .315 - 1.180 = ± 0.015" 1.180 - 4.724 = ± 0.020" | APPROVALS | DATE | <h1 style="color: blue; text-align: center;">Amphenol Connex</h1> | | |
| 7 | | | | DRAWN | | G.R.S. | 05/24/05 | | | |
| 6 | | | | CHECKED | | | | PART DESCRIPTION <h2 style="text-align: center;">SMA 4-HOLE PANEL JACK (FOR .141" SEMI-RIGID CABLE)</h2> | | |
| 5 | | | | ISSUED | | | | | | |
| 4 | | | | SHEET | | 1 OF 1 | | PART NO. <h2 style="text-align: center;">132108</h2> | | |
| 3 | CONTACT PIN | BER. COPPER | GOLD | 1 | | | DWG. NO. 132108.DWG | | | |
| 2 | INSULATOR | TEFLON | NATURAL | 1 | | | | | | REV. A |
| 1 | BODY | BRASS | GOLD | 1 | | | | | | |
| | DESCRIPTION | MATERIAL | FINISH | QTY | DO NOT SCALE DRAWING | CAD FILE | C:/132/132108.DWG | | | |