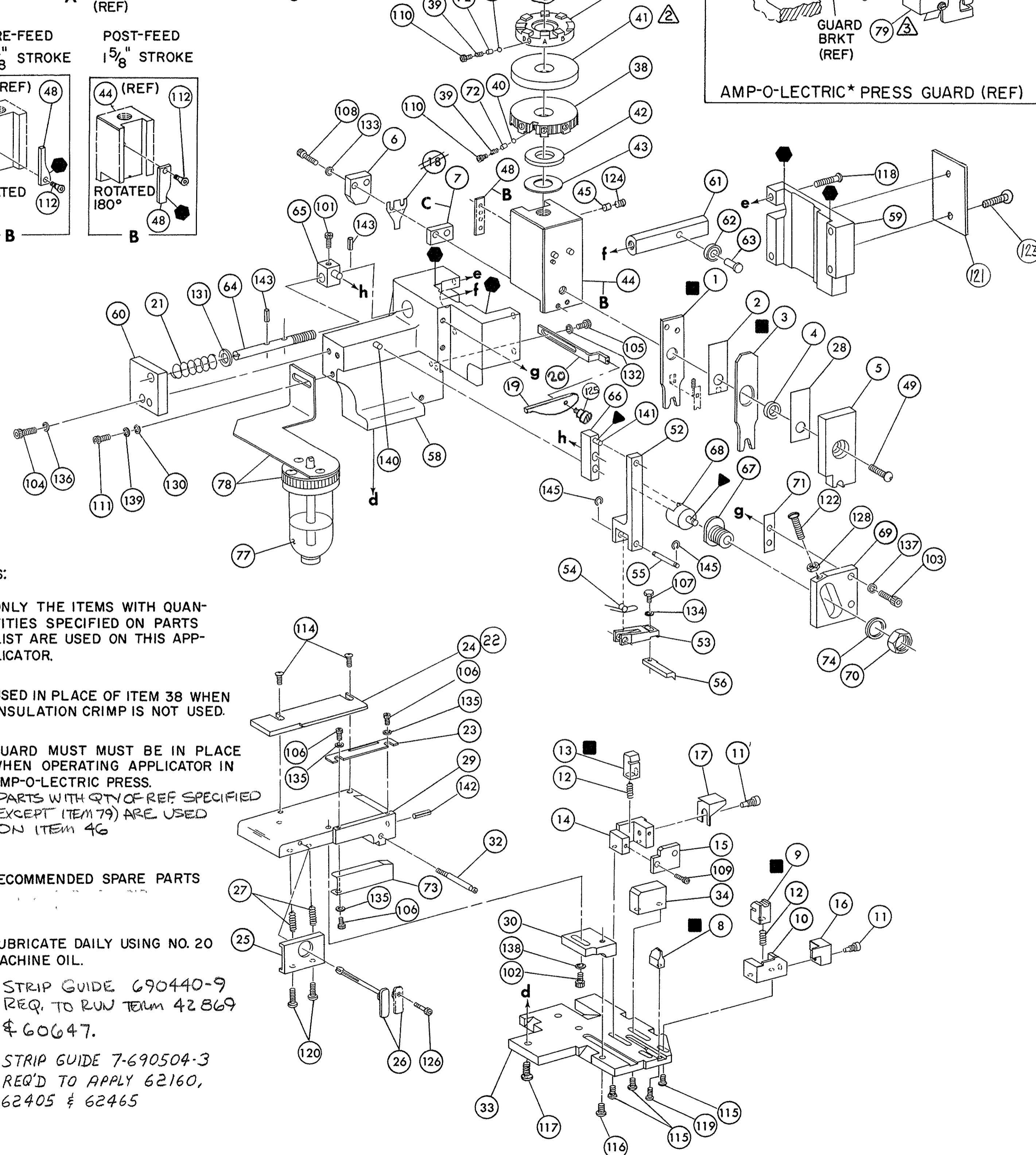
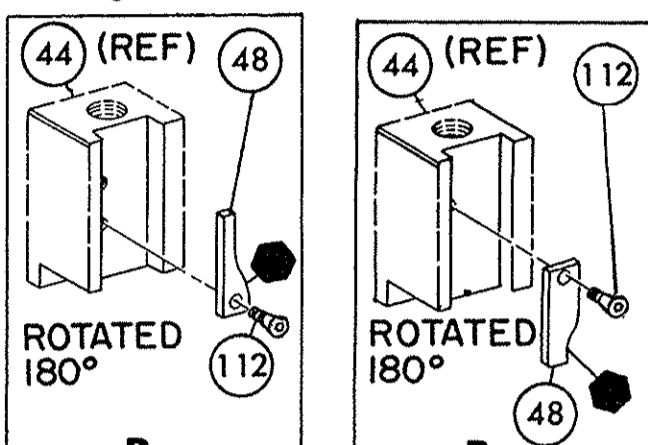


PRE-FEED 1 1/8" STROKE  
POST-FEED 1 5/8" STROKE



NOTES:

1.- ONLY THE ITEMS WITH QUANTITIES SPECIFIED ON PARTS LIST ARE USED ON THIS APPLICATOR.

2.- USED IN PLACE OF ITEM 38 WHEN INSULATION CRIMP IS NOT USED.

3.- GUARD MUST BE IN PLACE WHEN OPERATING APPLICATOR IN AMP-O-LECTRIC PRESS.

4. PARTS WITH QTY OF REF SPECIFIED (EXCEPT ITEM 79) ARE USED ON ITEM 46

KEY:

■ - RECOMMENDED SPARE PARTS

▲ - LUBRICATE DAILY USING NO. 20 MACHINE OIL.

△ STRIP GUIDE 690440-9 REQ. TO RUN TERM 42869 \$ 60647.

△ STRIP GUIDE 7-690504-3 REQ'D TO APPLY 62160, 62405 & 62465

REF	QTY	PART NO	DESCRIPTION	ITEM NO	REF	QTY	PART NO	DESCRIPTION	ITEM NO
REF		21045-3	RING, RETAINING 'C' (.187 DIA) FEED FINGER PIN	145	REF		454220-1	CAP, HOUSING	59
REF		5-21028-1	PIN, SLOT SPR (.125 DIA X .50) ADJ ROD	144	REF		454485-1	HOUSING	58
1		4-21028-0	PIN, SLOT SPR (.093 DIA X .75) STR G PLATE	143					57
REF		1-21030-1	PIN, DOWEL (.187 DIA X .50) LEVER	142	1		690542-1	PAWL, FEED	56
REF		1-21030-6	PIN, DOWEL (.187 DIA X 1.25) HOUSING	141	REF		240624-1	PIN, FEED FINGER	55
		21024-5	WASHER, LOCK (NO 10) LUB ASSY	140	REF		691499-1	SPRING, FEED FINGER	54
1		21024-5	WASHER, LOCK (NO 10) STRIP GUIDE ADJ BLOCK	139	REF		690541-1	FINGER, FEED	53
REF		21024-5	WASHER, LOCK (NO 10) ADJ PLATE	138	REF		455679-1	LEVER, TERMINAL FEED ARM	52
REF		21024-5	WASHER, LOCK (NO 10) FEED GUIDE ROD	137	1		811242-2	BUMPER, HOLDDOWN	51
2		21024-2	WASHER, LOCK (NO 4) FRONT STRIP GUIDE	136	1		690753-1	SPACER, TONKER	50
1		21024-4	WASHER, LOCK (NO 8) FEED FINGER	135	1		7-21002-9	BOLT, CRIMPER	49
2		21024-4	WASHER, LOCK (NO 8) DEPRESSOR	134	1		690602-5	CAM PRE FEED 1 1/8 STROKE	48
1		21024-4	WASHER, LOCK (NO 8) STRIPPER	133					47
REF		21899-4	WASHER, FLAT (5/16 DIA) SCREW ADJ	132	1		459456-1	APPLICATOR, BASIC (SUB ASSY)	46
		21899-2	WASHER, FLAT (NO 10) LUB ASSY	131	1		690191-1	PLUG, NYLON	45
		21068-5	NUT, HEX MACH (6-32) HOLDDOWN	130	1		455673-1	RAM	44
REF		21018-5	NUT, HEX MACH (6-32) FEED ADJ	129	1		690125-1	WASHER, LAMINATED	43
		22353-8	SCR, SHLD. (.187 DIA X .250 LG) DRAG LEVER	128	1		690124-1	WASHER, RAM	42
1		456567-1	SCR, SHLD (.188 X .125) STRIPPER	127	1		690223-1	DISC, SPACER	41
1		21009-2	SCR, SKT SET (1/4-20 X .25) (LOC-WEL) RAM	126	1		23241-6	BALL, STEEL	40
2		21017-2	SCR, DRIVE # 2 X .19	125	1		690170-1	SPRING, COMPRESSION	39
REF		6-23715-5	SCR, RD HD MACH (6-32 X 1.50) FEED ADJ	124					38
1		461264-1	PLATE, IDENTIFICATION	123	1		1-692155-1	DISC, WIRE	37
2		2-21002-9	SCR, BUT HD SKT CAP (10-32 X .75) DRAG	122	1		22480-5	WASHER, SPRING	36
1		22733-8	SCR, BUT HD SKT CAP (8-32 X .38) (LOC-WEL) ANVIL	121	1		690212-1	POST, RAM	35
REF		2-21002-9	SCR, BUT HD SKT CAP (10-32 X .75) CAP	120					34
REF		1-24073-9	SCR, BUT HD SKT CAP (1/4-20 X .75) HOUSING	119	REF		455675-1	PLATE, BASE	33
REF		2-21002-7	SCR, BUT HD SKT CAP (10-32 X .50) SG ADJ BLOCK	118	1		690432-3	SCREW, ADJUSTMENT	32
2		2-21002-2	SCR, BUT HD SKT CAP (8-32 X .50) SHEAR	117					31
2		2-21002-1	SCR, BUT HD SKT CAP (8-32 X .38) R STRIP GUIDE	116	REF		455689-1	BLOCK, STRIP GUIDE ADJ	30
				115	1		455671-1	PLATE, STRIP GUIDE	29
				114					28
				113	2		1-22284-0	SPRING, DRAG	27
				112	1		690546-1	LEVER, DRAG RELEASE	26
				111	1		240792-1	DRAG, STOCK	25
				110	1		7-690504-3	GUIDE, STRIP (REAR)	24
				109	1		690438-1	GUIDE, STRIP (FRONT)	23
				108	1		690440-9	GUIDE, STRIP (REAR)	22
				107	REF		4-22284-9	SPRING, FEED RETURN	21
				106	1		458950-1	ARM, STRIPPER	20
				105	1		458949-1	STRIPPER	19
REF		3-21000-7	SCR, SKT HD CAP (10-32 X .75) FEED ROD GUIDE	104					18
REF		3-21000-6	SCR, SKT HD CAP (10-32 X .62) FEED ADJ BLOCK	103					17
1		3-21000-4	SCR, SKT HD CAP (10-32 X .38) SG ADJ BLOCK	102	1		691667-1	GUARD, CHIP (FRONT)	16
REF		3-21000-4	SCR, SKT HD CAP (10-32 X .38) PIVOT BLOCK	101					15
REF		455749-1	GUARD, WINDOWN	79					14
1		1-465184-0	LUBRICATOR ASSY	78					13
REF		852931-2	OIL, LUBRICATING	77					12
				76	1		5-22280-0	SPRING, SHEAR	11
				75	1		690461-1	STOP, SHEAR	10
				74	1		690459-1	HOLDER, SHEAR (FRONT)	9
				73	1		454276-2	SHEAR, FLOAT (FRONT)	8
				72	1		683403-7	ANVIL	7
REF		690517-1	SPACER	71					6
				70	1		455889-9	DEPRESSOR, SHEAR (FRONT)	5
				69					4
				68					3
				67	1		1-455888-2	SPACER, CRIMPER	2
				66	1		3-456404-2	CRIMPER, INSULATION	1
				65					
				64					
				63					
				62					
				61					
				60					

REMARKS		NO	REV
APPL USED ON MACHINE PART NO		MACH SERIAL NO	DISTRIBUTION
CUSTOMER NAME		APPL SERIAL NO	ORIGINAL
ADDRESS		PURCHASE ORDER	CUSTOMER COPY
CITY		ENG APP	FIELD ENG COPY

CRIMPING DATA				APPLICATOR WILL APPLY	
PAD LTR	CRIMP HEIGHT	WIRE SIZE	WIRE STRIP LENGTH		
A	.042	20	.115-.145	42869	
B	.039	22	.115-.145	60647	
C	.036	24	.115-.145	62160	
D	NOT USED			62405	
				62465	
CRIMP	SIZE	TYPE	FEED	APPL INST	
WIRE	.070	F			
INSUL		++	290	A18040	
WIRE RANGE	INSULATION RANGE	PRESS NO			
74-70		563435-5			
REMARKS					
AMP-O-LECTRIC PRE FEED					

G 0150-6779-96, 085 FB 4-96 SET UP GAGE 10-1  
 F 0130-6825-95 DR 458637-1 45  
 E EC-A-272190 JER 10-108 DR 7-79 APP 719  
 D ECN A-6728 05/14/86 1.000  
 C ECN R-6025 05/14/86 1.000  
 B REV PER ECU R4932 05/14/86 1.000  
 A REV PER ECU R4778 05/14/86 1.000

HI ECN 0150-0049-03 TE 1-83  
 H 0150-8194-97 05 12-97

NAME: MINIATURE QUICK CHANGE APPLICATOR  
 SIDE FEED (PIN RECDT)

AMP INCORPORATED  
 Harrisburg, Pa.

A D No 466374-5 H  
 CUSTOMER AND ASSEMBLY DRAWING

THIS IS A CONTROLLED DOCUMENT.

2002

DIST 66

\* Trademark of AMP Incorporated