

4

3

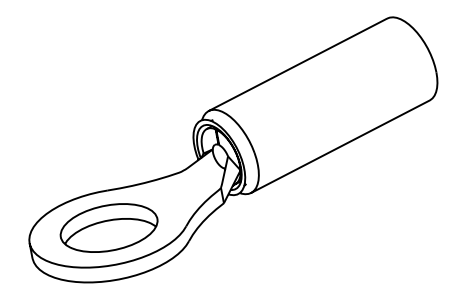
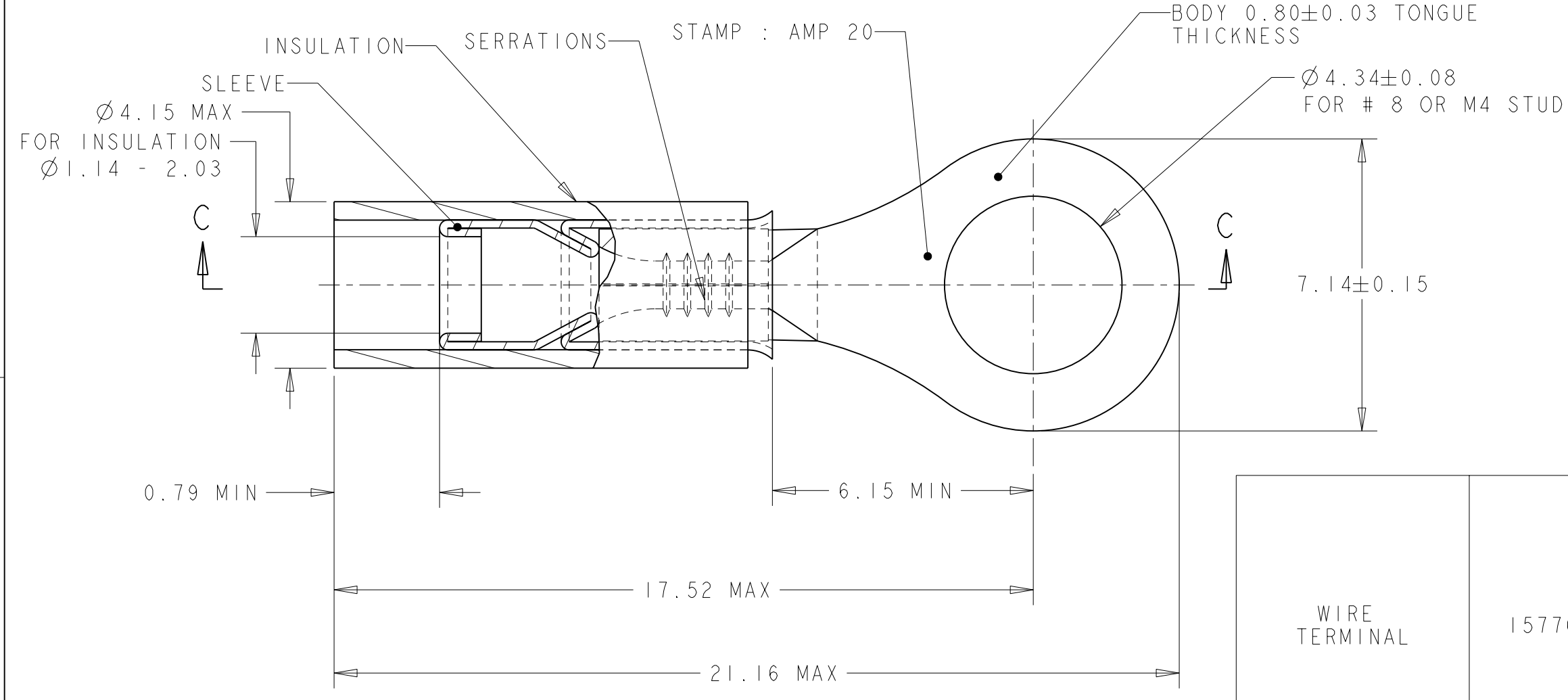
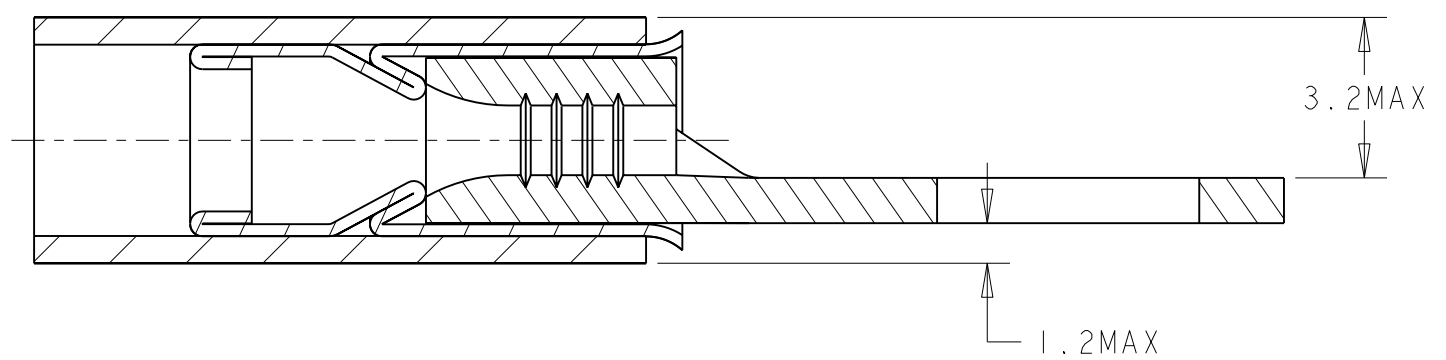
2

1

THIS DRAWING IS UNPUBLISHED. RELEASED FOR PUBLICATION 20  
 © COPYRIGHT 20 BY TYCO ELECTRONICS CORPORATION. ALL RIGHTS RESERVED.

LOC	DIST	REVISIONS			
P	LTR	DESCRIPTION	DATE	DWN	APVD
F	00	B	ECR 07-025006	24OCT2007	JT GR

COUPE C-C



SCALE 3:1

WIRE TERMINAL	1577623-1	BODY : COPPER ANNEALED FINISH : NICKEL PLATED
		SLEEVE : COPPER ANNEALED FINISH : NICKEL PLATED
		INSULATION : PEEK COLOR : GREY
DESCRIPTION	PART NUMBER	MATERIAL & FINISH

THIS DRAWING IS A CONTROLLED DOCUMENT FOR TYCO ELECTRONICS CORPORATION  
 IT IS SUBJECT TO CHANGE AND THE CONTROLLING ENGINEERING ORGANIZATION  
 SHOULD BE CONTACTED FOR THE LATEST REVISION.

DIMENSIONS: mm	TOLERANCES UNLESS OTHERWISE SPECIFIED:
	0 PLC ±- 1 PLC ±0.3 2 PLC ±- 3 PLC ±- 4 PLC ±- ANGLES ±5
MATERIAL SEE TABLE	FINISH SEE TABLE

DWN JJ. DESPRETZ 02NOV2005	 TYCO ELECTRONICS France SAS BP 30039, 95301 CERGY-PONTOISE Cedex
CHK G. ROBERT 02NOV2005	
APVD Y. PETRONIN 02NOV2005	
PRODUCT SPEC 108-15356	
APPLICATION SPEC 114-15102	NAME TERMINAL, PEEK PIDG STRATO, 20 AWG
WEIGHT 0,69 gr	SIZE A3 CAGE CODE 00779 DRAWING NO C-1577623 RESTRICTED TO -
CUSTOMER DRAWING	SCALE 8:1 SHEET 1 OF 1 REV B