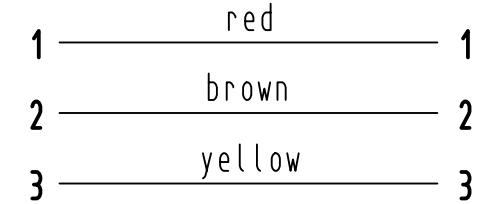


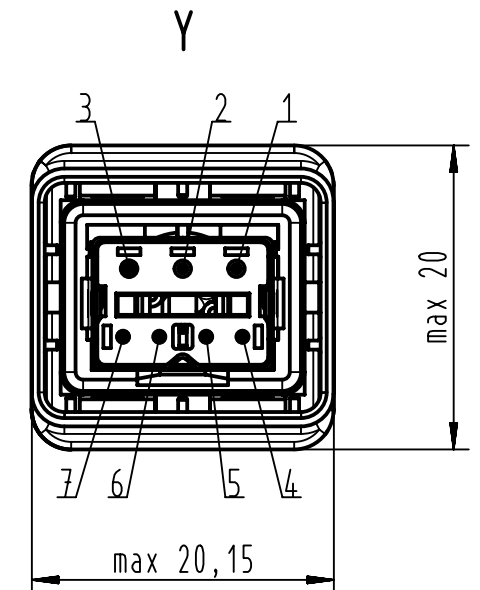
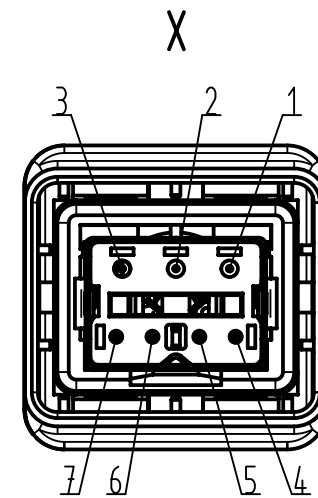
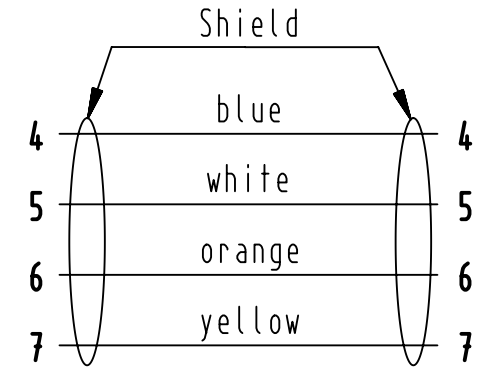
- Transmission properties in accordance with ISO/IEC 11801:2002: EN 50 173-1: Class D. Protection level: IP67/65
- Temperature range: -40°C ... +70°C

Loading-Plan

Power wires



Data wires



| | | | |
|-----------|--|-------------|----------|
| 9 | HPP V4 Hybrid cable 20m double ended PP | 09476161200 | 20 |
| 8 | HPP V4 Hybrid cable 10m double ended PP | 09476161100 | 10 |
| 7 | HPP V4 Hybrid cable 8m double ended PP | 09476161080 | 8 |
| 6 | HPP V4 Hybrid cable 5m double ended PP | 09476161050 | 5 |
| 5 | HPP V4 Hybrid cable 3m double ended PP | 09476161030 | 3 |
| 4 | HPP V4 Hybrid cable 2m double ended PP | 09476161020 | 2 |
| 3 | HPP V4 Hybrid cable 1m double ended PP | 09476161010 | 1 |
| 2 | HPP V4 Hybrid cable 0,8m double ended PP | 09476161008 | 0,8 |
| 1 | HPP V4 Hybrid cable 0,5m double ended PP | 09476161005 | 0,5 |
| Cont. no. | Description | Part no. | Dim a[m] |

| | | | | | |
|---|--|--|-----------------------|---|------------------------|
| All rights reserved Department EC PD - RO | | All Dimensions in mm Original Size DIN A3 | Scale 2:1 | Free size tol. | Ref. Sub. |
| HARTING Electronics GmbH D-32339 Espelkamp | | Created by OLESCHER | Inspected by AVRAM | Standardisation HOFFMANN | Date 2013-07-02 |
| Title HPP V4 Hybrid cable double ended | | Type TB | | Number 09476161XXX | State Final Release |
| | | | | Doc-Key / ECM-Nr. 100176574/UGD/006/B 50000063894 | Rev. B |
| | | | | Page 1/1 | |