

MODEL:

TLP310USBS

Protect It!® Surge Protector with USB Charging and Mounting Brackets



Mounting Brackets



510 Joule Rating



3 Outlets



2 USB Charging Ports



Certified to UL 962A



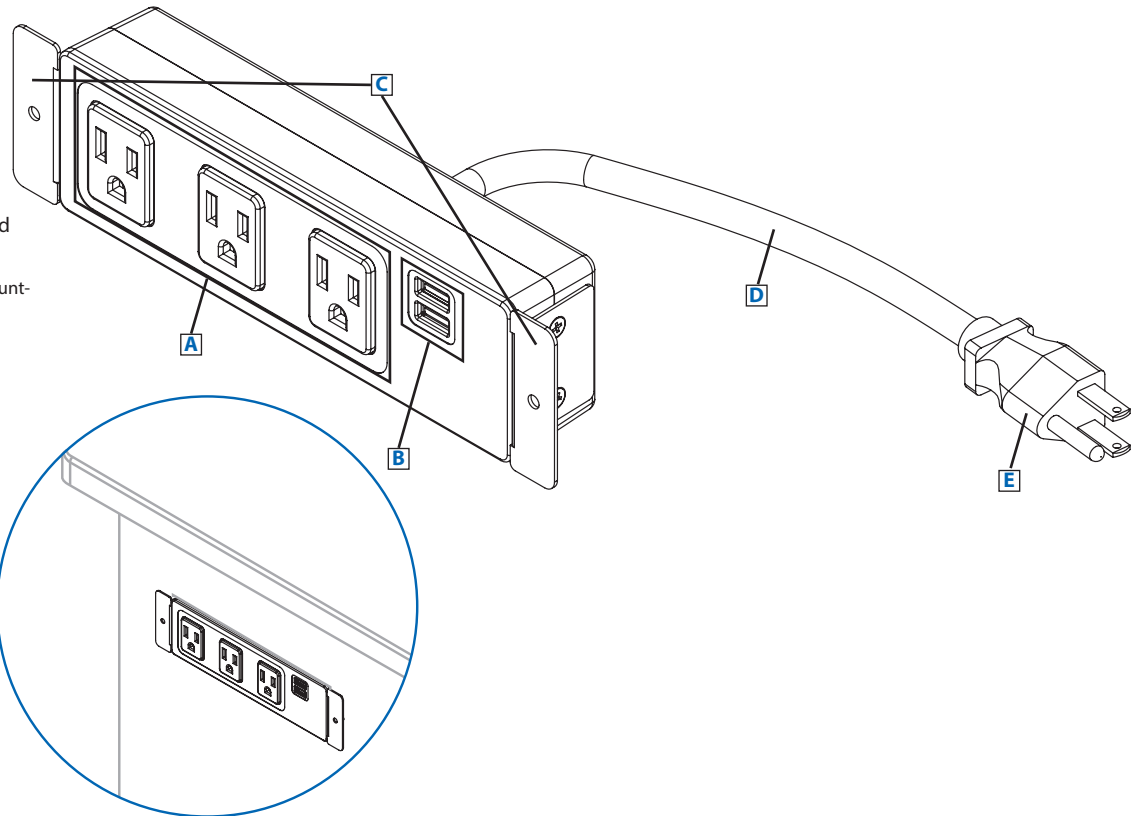
\$20K Ultimate Lifetime Insurance



Lifetime Warranty

- A** NEMA 5-15R Surge Protected Outlets (3) (510 Joule Rating)
- B** USB Charging Ports (2) (Up to 3.1A total)
- C** Mounting Brackets (Certified to UL 962A and may be permanently mounted.)
- D** 10 ft. (3.05 m) Input Power Cord
- E** NEMA 5-15P Input Plug

Also Includes: Owner's manual and mounting hardware (four mounting brackets, eight 6#32T 1/4" screws and six M4-16T 14 mm screws)



Specifications

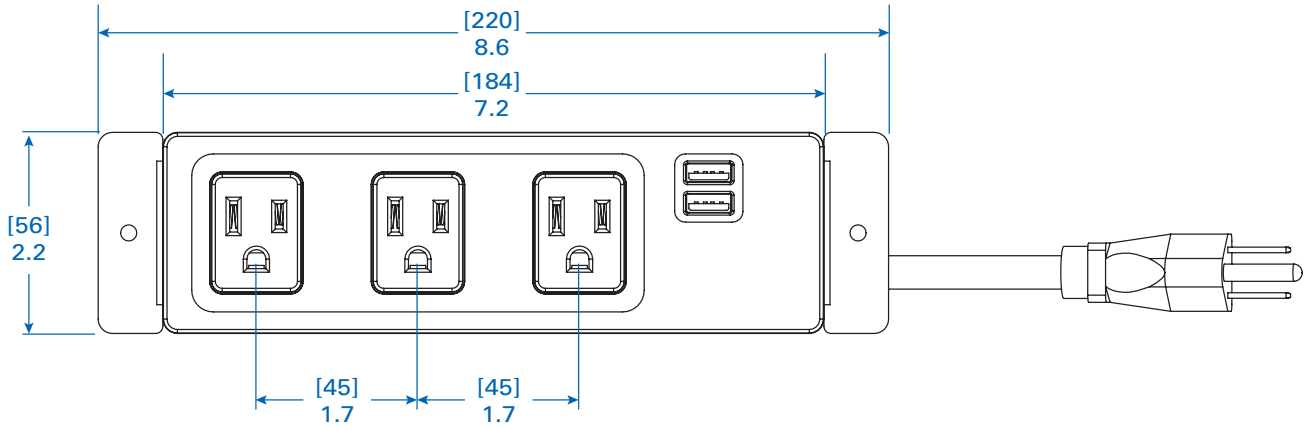
Model	TLP310USBS
Input Voltage	120V AC, 60 Hz
Outlets	(3) 5-15R
Plug Type/Cord Length	5-15P / 10 ft. (3.05 m)
Charging Ports	2 USB Ports (3.1A total)
Max Output Watts	1800W
Output Amperage	15A
Surge Protection Rating	510 Joules
Protection Modes	Includes full normal mode (H-N) and common mode (N-G / H-G)
Unit Dimensions [H x W x D]	2.2 x 7.24 x 1.54 in. (56 x 184 x 39 mm)
Shipping Dimensions [H x W x D]	9.7 x 2.8 x 5.2 in. (246 x 71 x 132 mm)
Unit Weight	1.65 lb. (0.7 kg)
Shipping Weight	2 lb. (1 kg)
Standards	Certified to UL 1449 & UL 962A; conforms to IEEE 587/ANSI C62.41; meets NOM & RoHS Standards

- Certified to UL 962A and may be permanently mounted
- In-desk (flush-mount) or under-/on-desk mounting options
- Two USB charging ports (up to 3.1A total) provide fast charging of portable devices

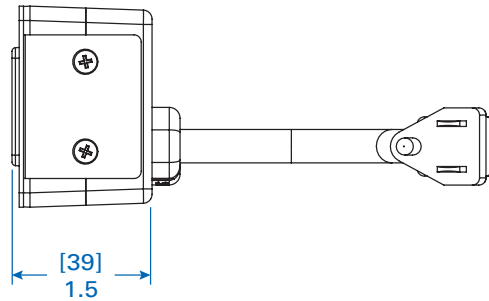
SEE NEXT PAGE FOR DETAILED UNIT MEASUREMENTS



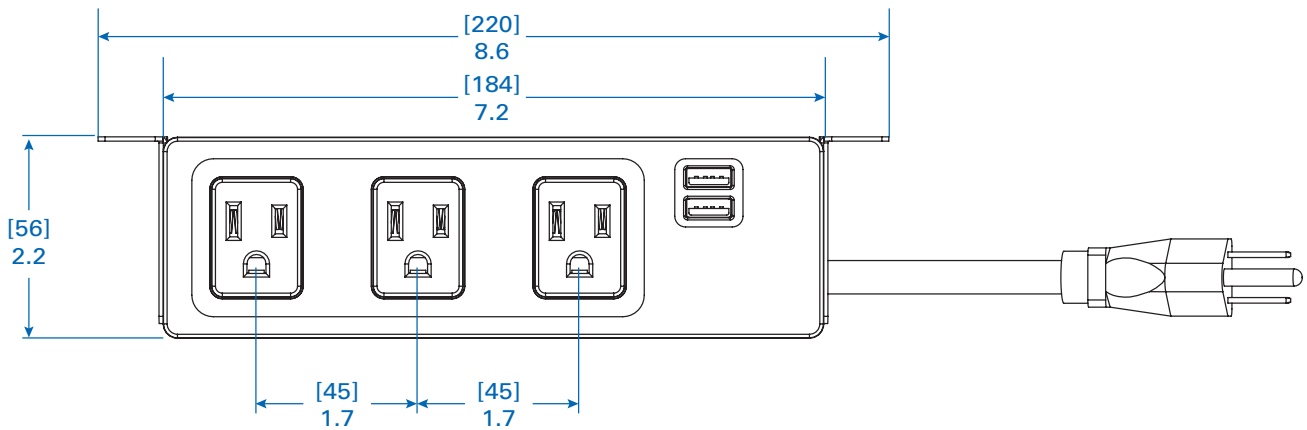
1111 W. 35th Street
 Chicago, IL 60609 USA
 773.869.1234
 www.tripplite.com



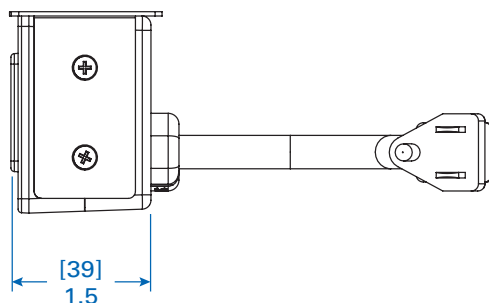
FRONT VIEW (SIDE BRACKETS)



SIDE VIEW (SIDE BRACKETS)



FRONT VIEW (TOP BRACKETS)



SIDE VIEW (TOP BRACKETS)

Dimensions: [mm] INCHES

Tripp Lite has a policy of continuous improvement. Specifications are subject to change without notice.

MODEL:
TLP310USBS

TRIPP-LITE

1111 W. 35th Street
Chicago, IL 60609 USA
773.869.1234
www.tripplite.com