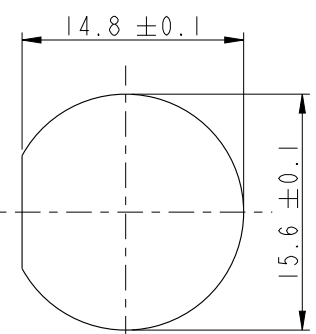
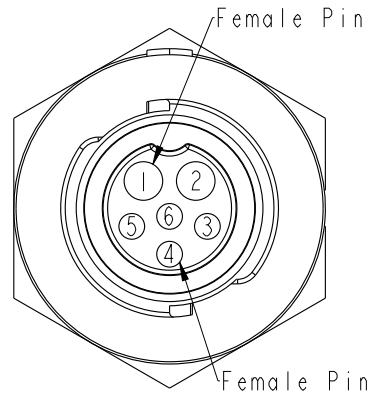
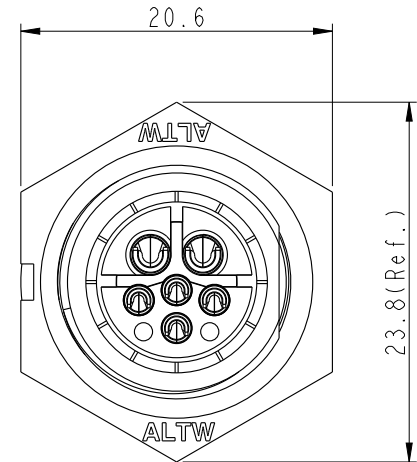
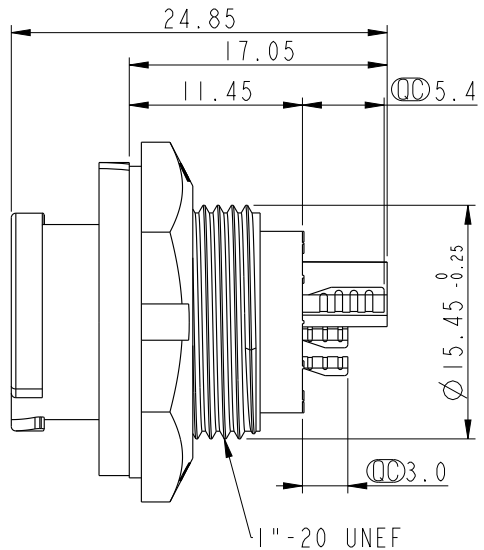
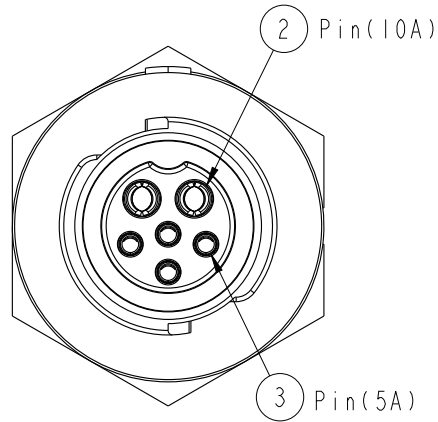


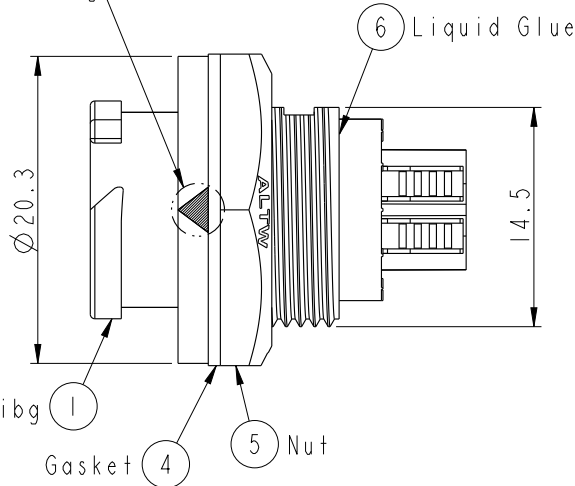
**ALTW**  
**CONFIDENTIAL**  
 2016-05-07  
**R&D DEPT.**

**ALTW**  
 DCC. DEPT.  
 CONFIDENTIAL  
 2016.05.18  
**ISSUED**

REV.	ECN NO.	DATE	SIGN	DESCRIPTION
A	Initial Release	2016-05-07	Spring	Change Rev.01 To Rev.A



☉ White Printing



Note:  
 \* ☉ Important Dimension To Check.  
 \* Waterproof Rate: IP68(Unmated)  
 In 1 meter water within 24 hours  
 \* Working Voltage Rating:  
 Power: AC/DC 300V  
 Data: DC 30V  
 \* Working Current:  
 Power: 10A  
 Data: 05A  
 \* Housing: Nylon+GF, Black.  
 \* Pin: Copper Alloy, Gold Plated.  
 \* Nut: Nylon+GF, Black.  
 \* Gasket: Silicone, Gray.  
 \* Use without waterproof cap  
 Panel Thickness Max: 3.6mm

UNIT:mm

TOLERANCE	
.X	±0.25
.XX	±0.1
.XXX	±0.05
ANGLES	±1°

TITLE STANDARD, RECEPTACLE (REAR) X-LOK (2+4) PIN M CONN F PIN			
SCALE 2:1	SIZE A4	SHEET 1 OF 1	
REV. A	WC-REV. A.3	☉: Inspection item	

**Amphenol LTW**  
 安費諾亮泰企業股份有限公司

ITEM NO BBD-06RMFS-QC8001	DRAWN BY Spring	DATE 2016-05-07
DWG NO BBD-06RMFS-QC8001	CHECKED BY Fisher	DATE 2016-05-07
CUSTOMER ALTW	APPROVED BY Kevin	DATE 2016-05-07

THIS DOCUMENT IS SUBJECT TO CHANGE WITHOUT NOTICE. IT IS CONFIDENTIAL AND A PROPERTY OF AMPHENOL LTW. DISCLOSURE TO THIRD PARTY HAS TO BE AUTHORIZED BY AMPHENOL LTW.