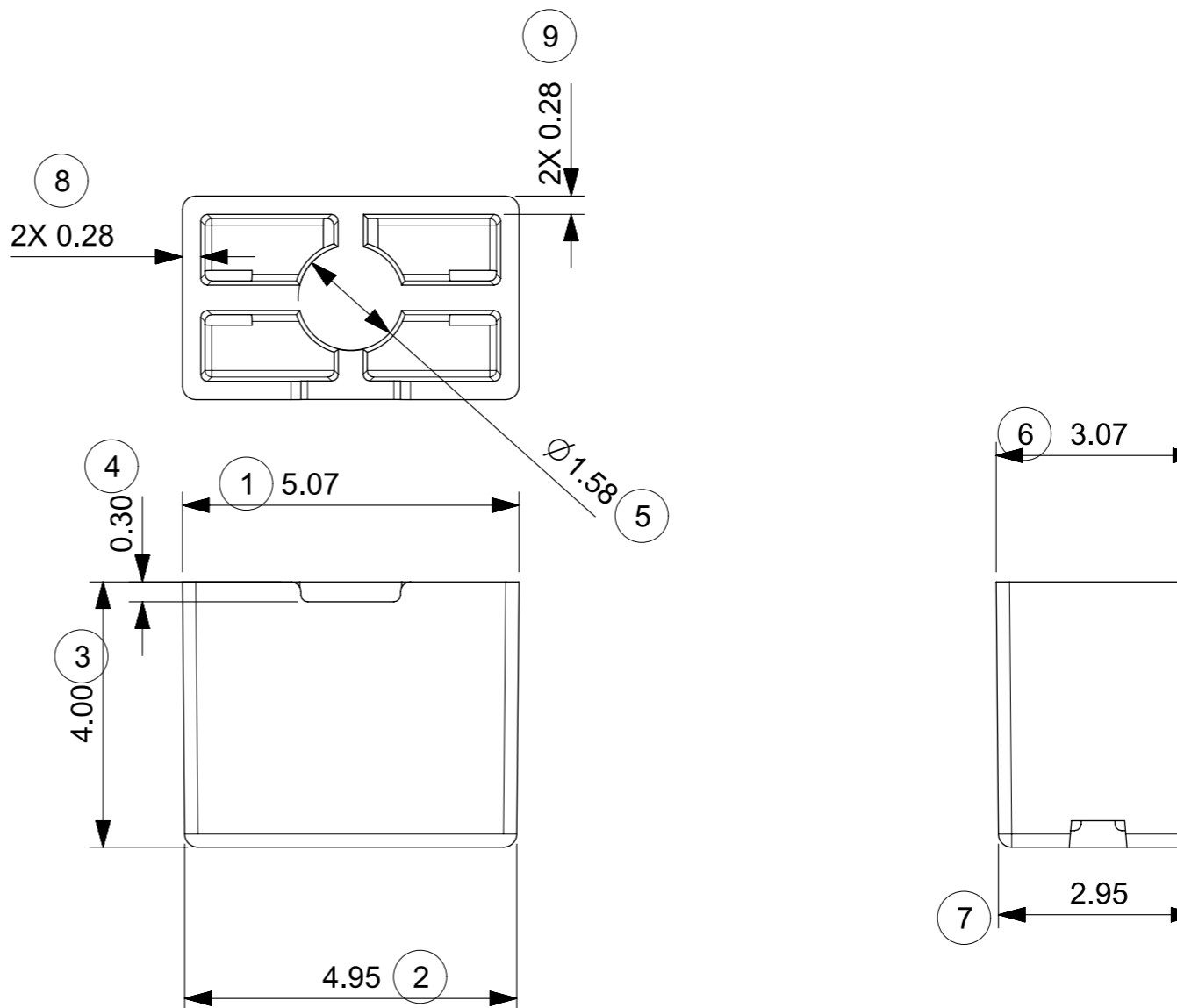
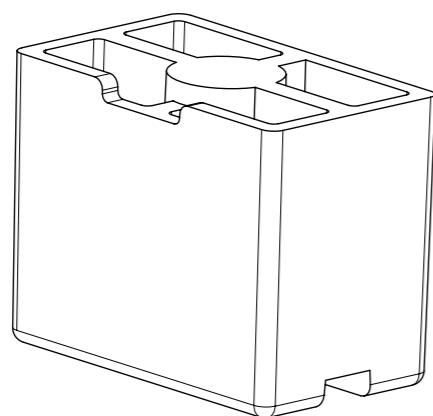


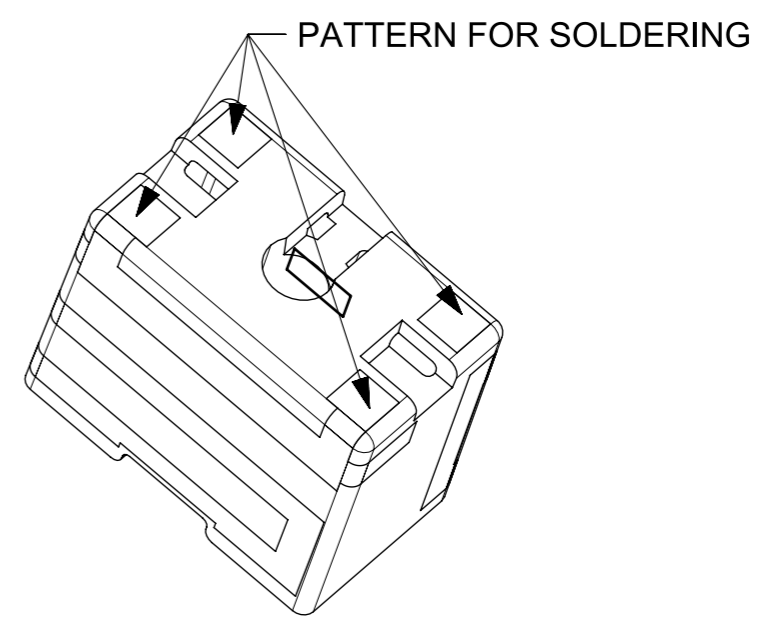
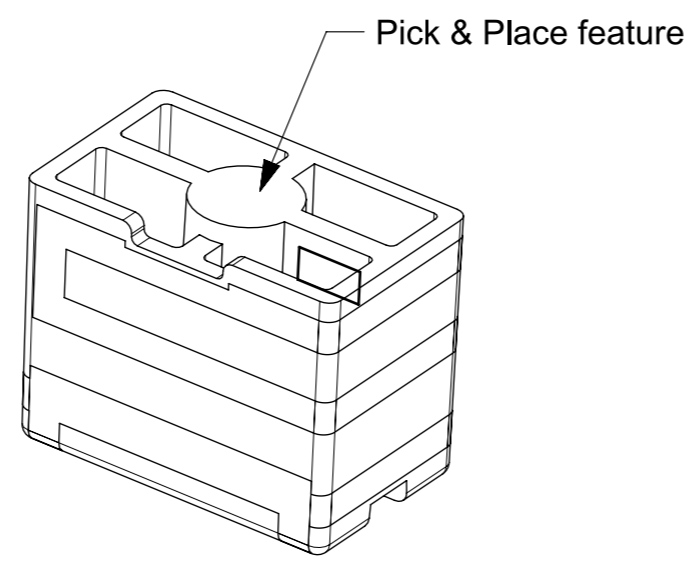
MOLEX				CUSTOMER				DRAWING LOCATION	CHANGE DESCRIPTION	AFFECTED DEPT
DRAWING NO.	REV	ECN NO.	DATA	P/N	P/N	3D REV	2D REV			
SD-146175-001	A	ABU2016-0014	2015/08/17	1461750001				NEW RELEASE		



NOTE:
 1. MATERIAL :LCP-LDS, VECTRA E840ILDS, 40% MINERAL FILLED LASER DIRECT STRUCTURING GRADE,UL94V-0;
 2.GENERAL TOLERANCE :+/-0.05MM
 3.PRODUCT COMPLANT TO ROHS DIERTIVE 2002/95/EC AND ELV DIRECTIVE2000/53/EC

THIS DRAWING CONTAINS INFORMATION THAT IS PROPRIETARY TO MOLEX INCORPORATED AND SHOULD NOT BE USED WITHOUT WRITTEN PERMISSION												
QUALITY SYMBOLS	EC NO. 0099/99/99	EC DRAWN 99/99/99	EC CHKD 99/99/99	EC APPR 99/99/99	GENERAL TOLERANCES (UNLESS SPECIFIED)		DIMENSION UNITS	SCALE				
					ANGULAR TOL $\pm 0.5^\circ$		mm	10:1				
$\nabla_A = 0$	EC DESCRIPTION EC NO. 0099/99/99 DRWN: EC DRAWN 99/99/99 CHK'D: EC CHKD 99/99/99 APPR: EC APPR 99/99/99	A	REV	A	4 PLACES	± 0.00000	DRWN BY	DATE	HOUSING FOR 2.4/5G SMD ON GROND ANTENNA			
$\nabla_E = 0$					3 PLACES	± 0.00000	Zlrao	2015/08/17				
$\nabla_F = 0$					2 PLACES	± 0.0000	CHK'D BY	DATE	PRODUCT DESIGN DRAWING			
$\blacktriangledown = 0$					1 PLACE	± 0.00	Jack Shi	2015/08/17				
$\nabla_C = 0$					0 PLACES	± 0.00	APPR BY	DATE	SERIES	MATERIAL NUMBER	CUSTOMER	
$\boxtimes = 0$					DRAFT WHERE APPLICABLE MUST REMAIN WITHIN DIMENSIONS		DRAWING SIZE	THIRD ANGLE PROJECTION	146175	1461750001	GENERAL MARKET	
$\blacksquare = 0$			A3		DOCUMENT NUMBER		DOC TYPE	DOC PART	SHEET NUMBER			
$\nabla = 0$					SD-146175-001		XXX	XXX	1 OF 3			

RELEASE STATUS	RELEASE DATE								
----------------	--------------	--	--	--	--	--	--	--	--



Notes:

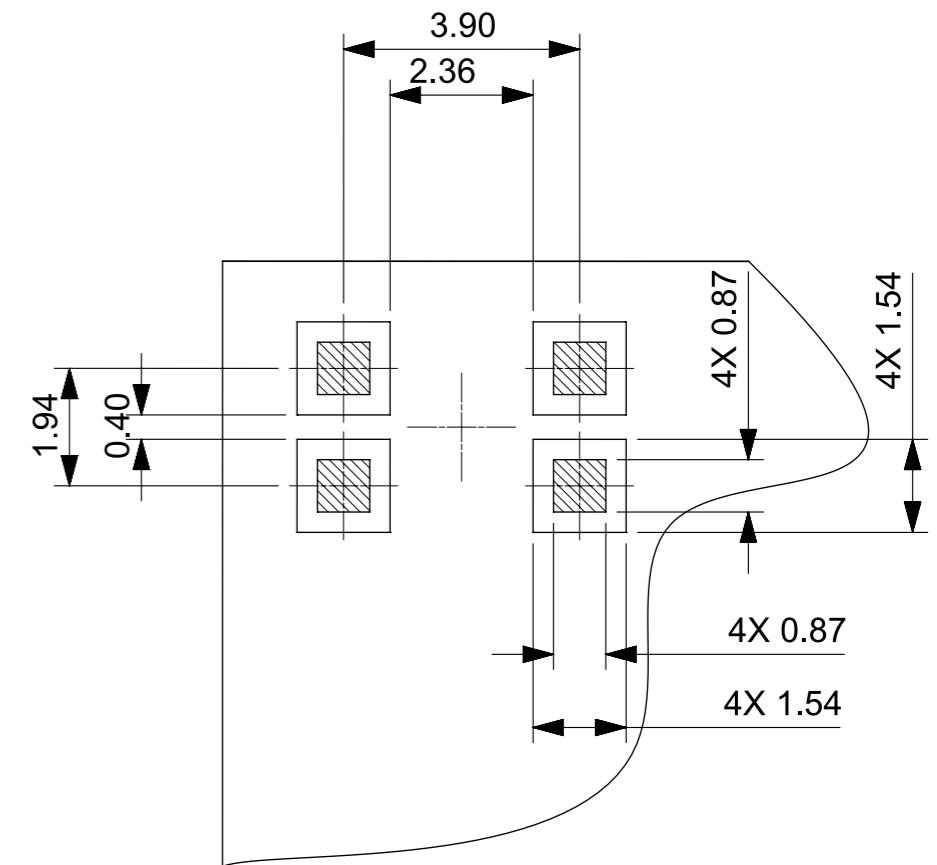
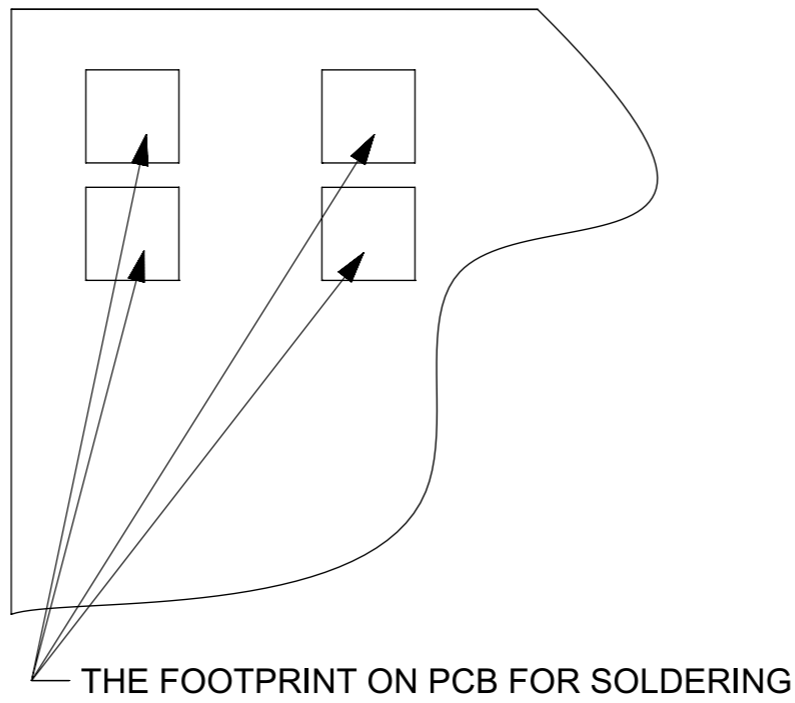
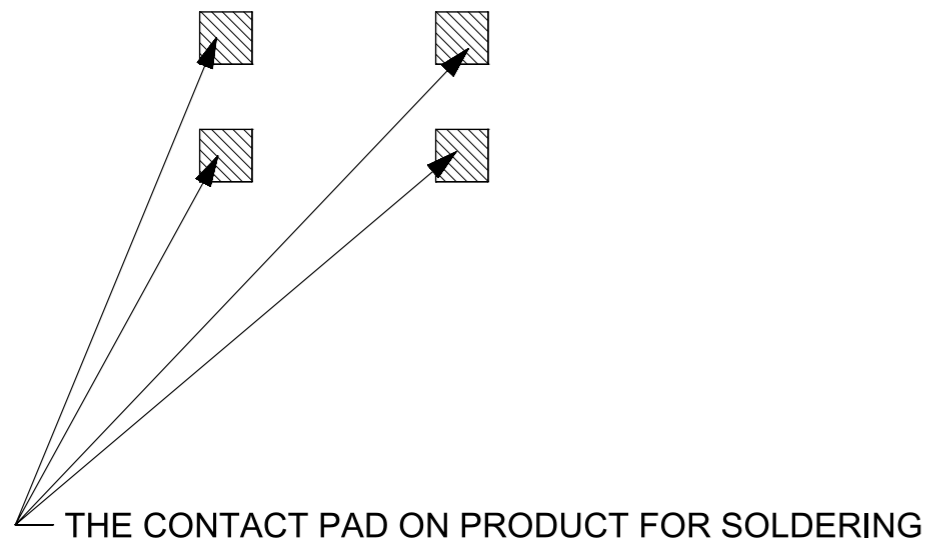
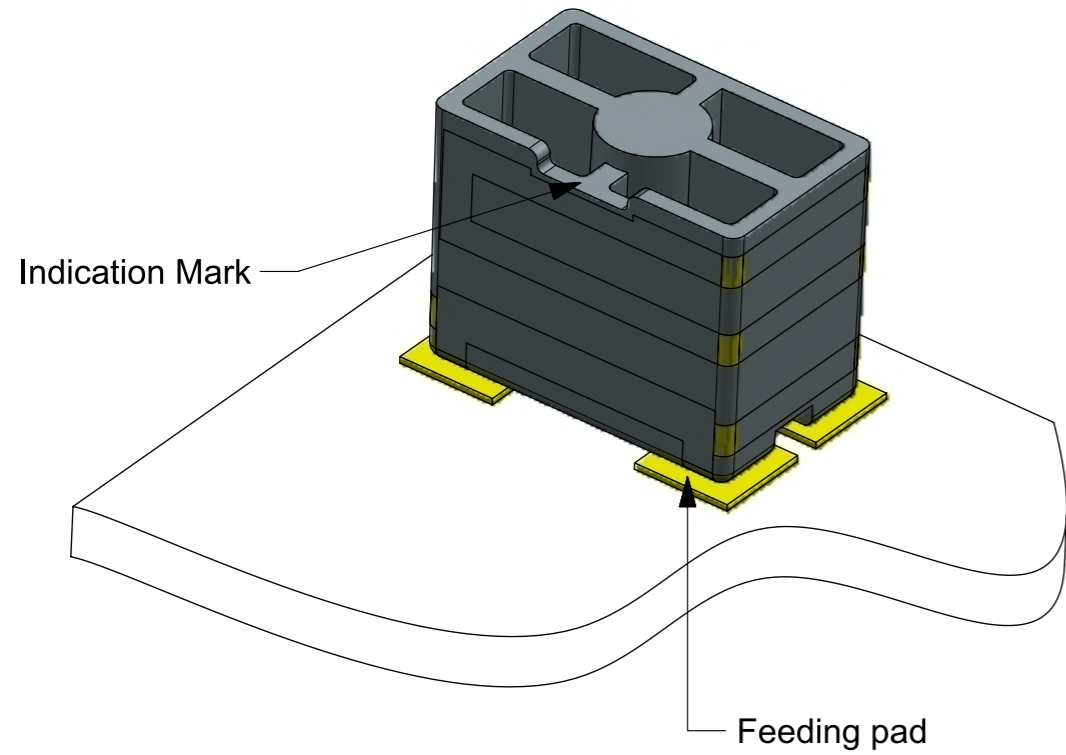
1. PLATING SPEC:

- Cu: 10-14 UM;
- Ni: 1-2.5 UM;
- Au: 0.05 UM MINIMUM

2. OVER FLOWING OF PATTERN PROFILE AFTER PLATING:0.03UM MAXIMUM.

THIS DRAWING CONTAINS INFORMATION THAT IS PROPRIETARY TO MOLEX INCORPORATED AND SHOULD NOT BE USED WITHOUT WRITTEN PERMISSION													
QUALITY SYMBOLS ▽ = 0 ▽ = 0 ▽ = 0 ▼ = 0 ▽ = 0 ☒ = 0 ■ = 0 ▽ = 0	EC NO: 0099/99/99 DRWN: 99/99/99 CHK'D: 99/99/99 APPR: 99/99/99	GENERAL TOLERANCES (UNLESS SPECIFIED)		DIMENSION UNITS	SCALE								
		ANGULAR TOL ± 0.5 °		mm	10:1								
		4 PLACES ± 0.00000		DRWN BY	DATE	PATTERN FOR 2.4/5G SMD ON GROND ANTENNA							
		3 PLACES ± 0.00000		Zlrao	2015/08/17								
		2 PLACES ± 0.0000		CHK'D BY	DATE								
		1 PLACE ± 0.00		Jack Shi	2015/08/17	PRODUCT DESIGN DRAWING							
		0 PLACES ± 0.00		APPR BY	DATE								
		DRAFT WHERE APPLICABLE MUST REMAIN WITHIN DIMENSIONS		Chris Yu	2015/08/17	SERIES	MATERIAL NUMBER	CUSTOMER					
				A3	THIRD ANGLE PROJECTION	146175	1461750001	GENERAL MARKET					
						DOCUMENT NUMBER		DOC TYPE	DOC PART	SHEET NUMBER			
				SD-146175-001		XXX	XXX	2 OF 3					

RELEASE STATUS	RELEASE DATE
----------------	--------------



RECOMMENDED PCB PATTERN LAYOUT

THIS DRAWING CONTAINS INFORMATION THAT IS PROPRIETARY TO MOLEX INCORPORATED AND SHOULD NOT BE USED WITHOUT WRITTEN PERMISSION												
QUALITY SYMBOLS ▽ = 0 ▽ = 0 ▽ = 0 ▼ = 0 ▽ = 0 ☒ = 0 ■ = 0 ▽ = 0	EC DESCRIPTION EC NO: 0099/99/99 EC DRAWN: 99/99/99 EC CHKD: 99/99/99 EC APPR: 99/99/99	GENERAL TOLERANCES (UNLESS SPECIFIED) ANGULAR TOL ± 0.5 °		DIMENSION UNITS mm	SCALE 1:1							
		4 PLACES ± 0.00000 3 PLACES ± 0.00000 2 PLACES ± 0.00000 1 PLACE ± 0.00000 0 PLACES ± 0.00000	DRWN BY Zlrao	DATE 2015/08/17	FOOTPRINT FOR 2.4/5G SMD ON GROND ANTENNA							
		DRAFT WHERE APPLICABLE MUST REMAIN WITHIN DIMENSIONS	CHK'D BY Jack Shi	DATE 2015/08/17							PRODUCT DESIGN DRAWING	
		EC NO: A REV: 1	APPR BY Chris Yu	DATE 2015/08/17	DRAWING SIZE A3	THIRD ANGLE PROJECTION 	SERIES 146175	MATERIAL NUMBER 1461750001	CUSTOMER GENERAL MARKET			
		RELEASE STATUS 8	RELEASE DATE 8					DOCUMENT NUMBER SD-146175-001	DOC TYPE XXX	DOC PART XXX	SHEET NUMBER 3 OF 3	