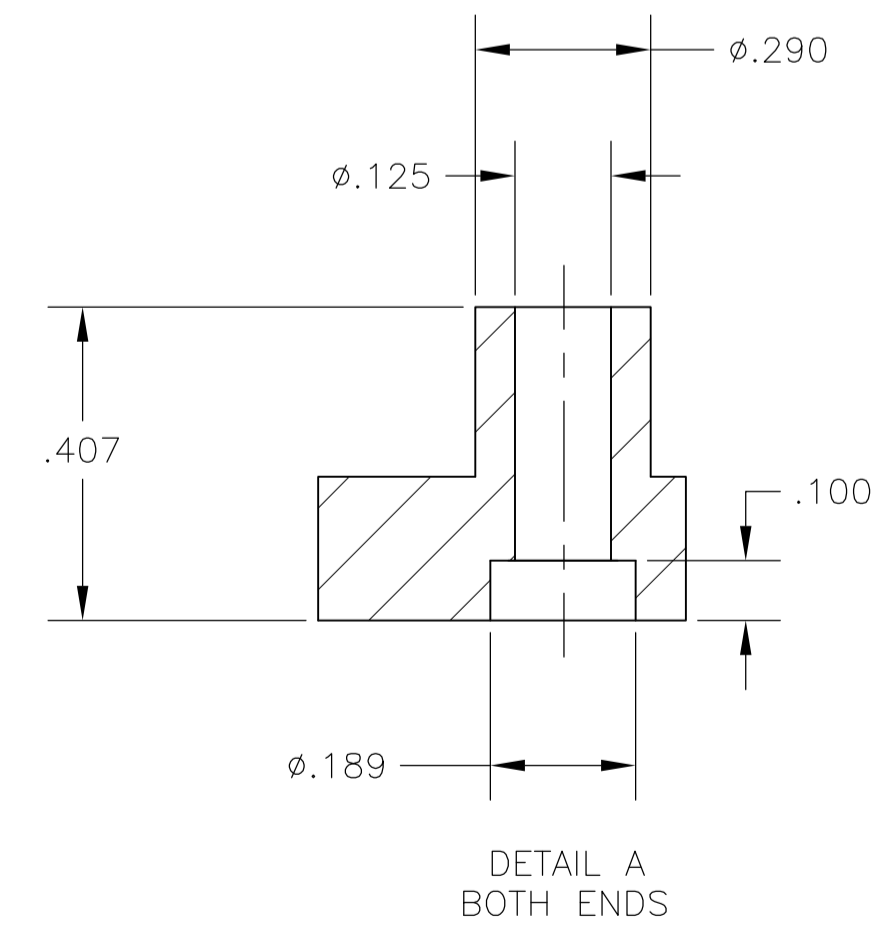
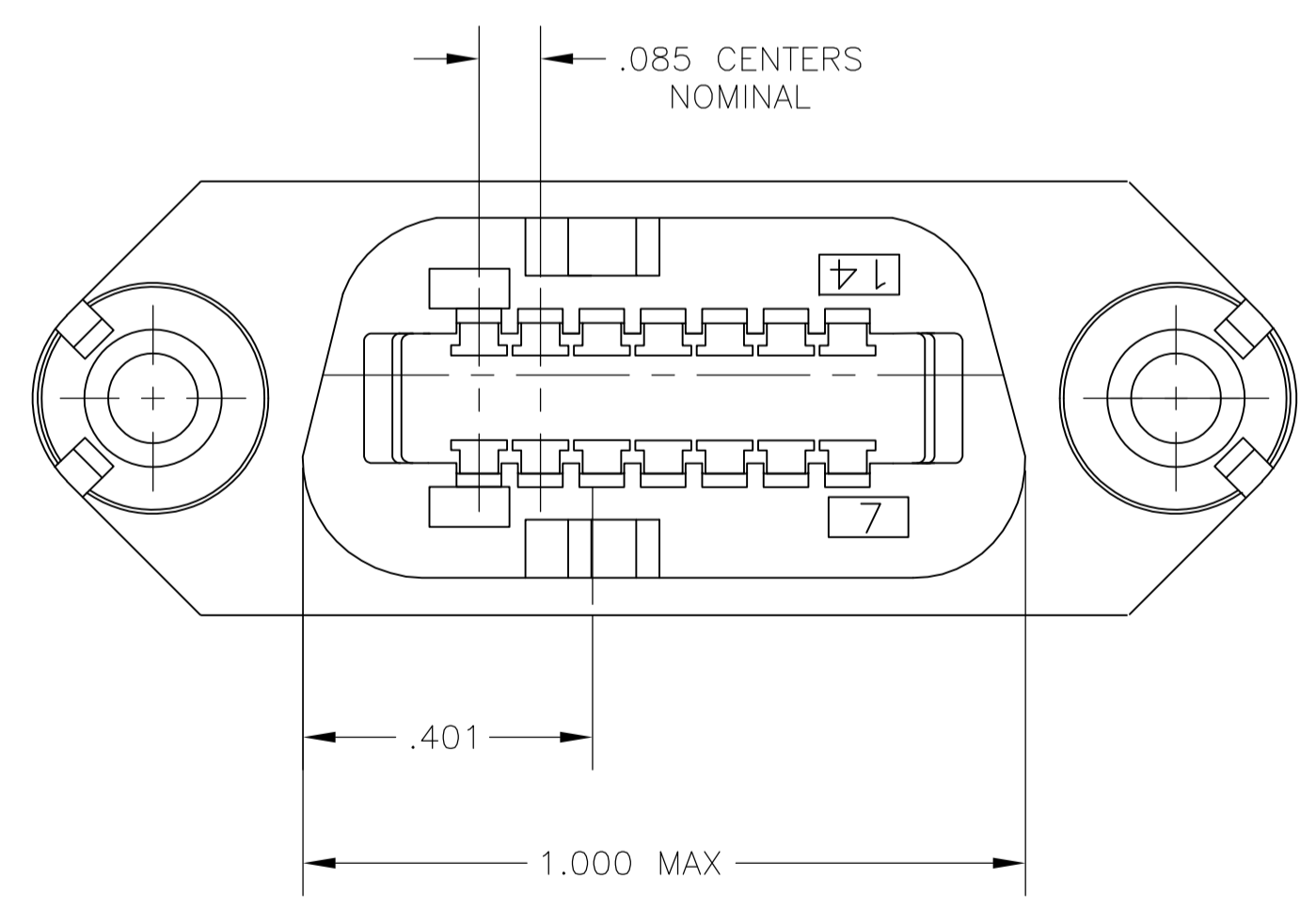
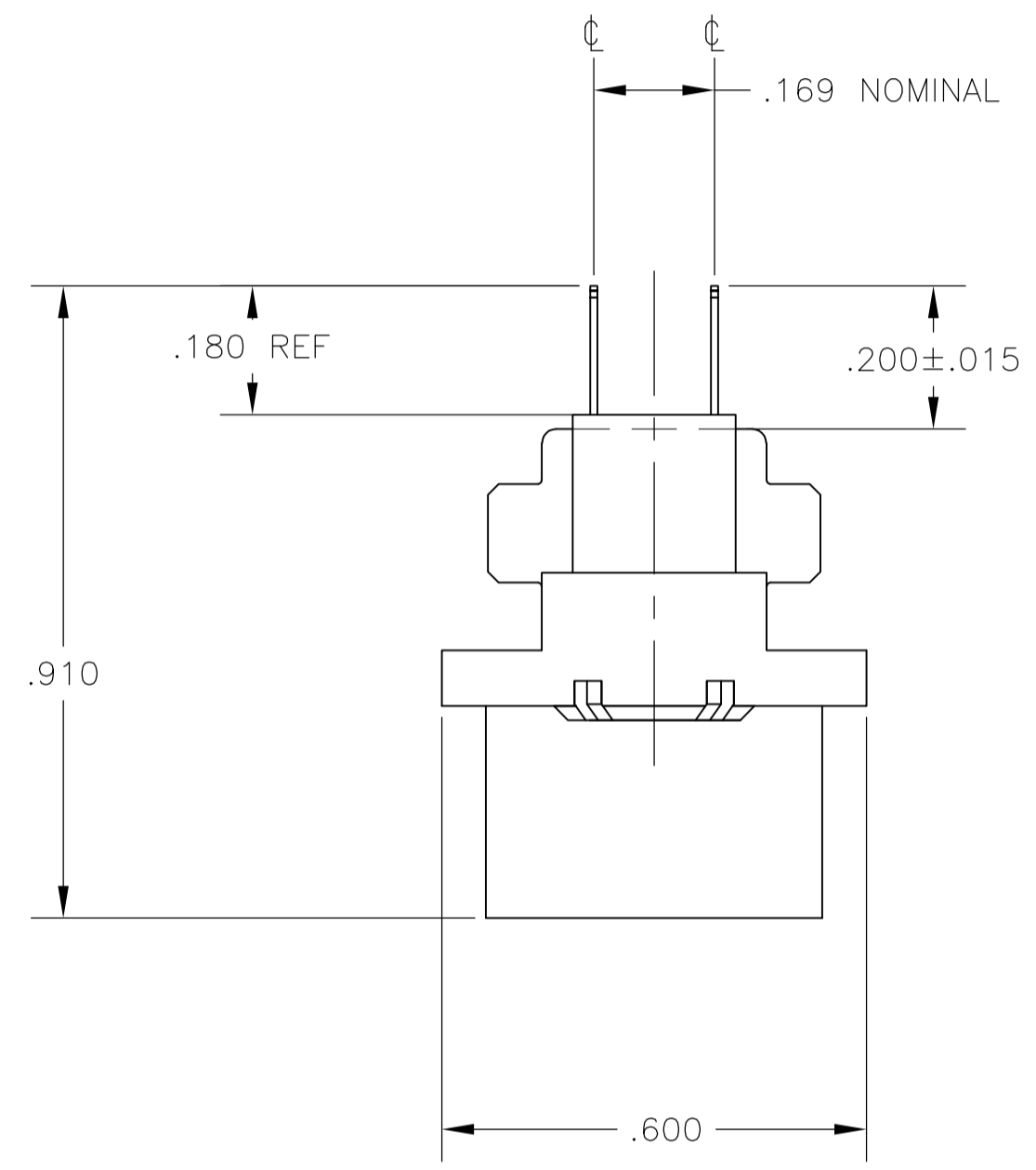
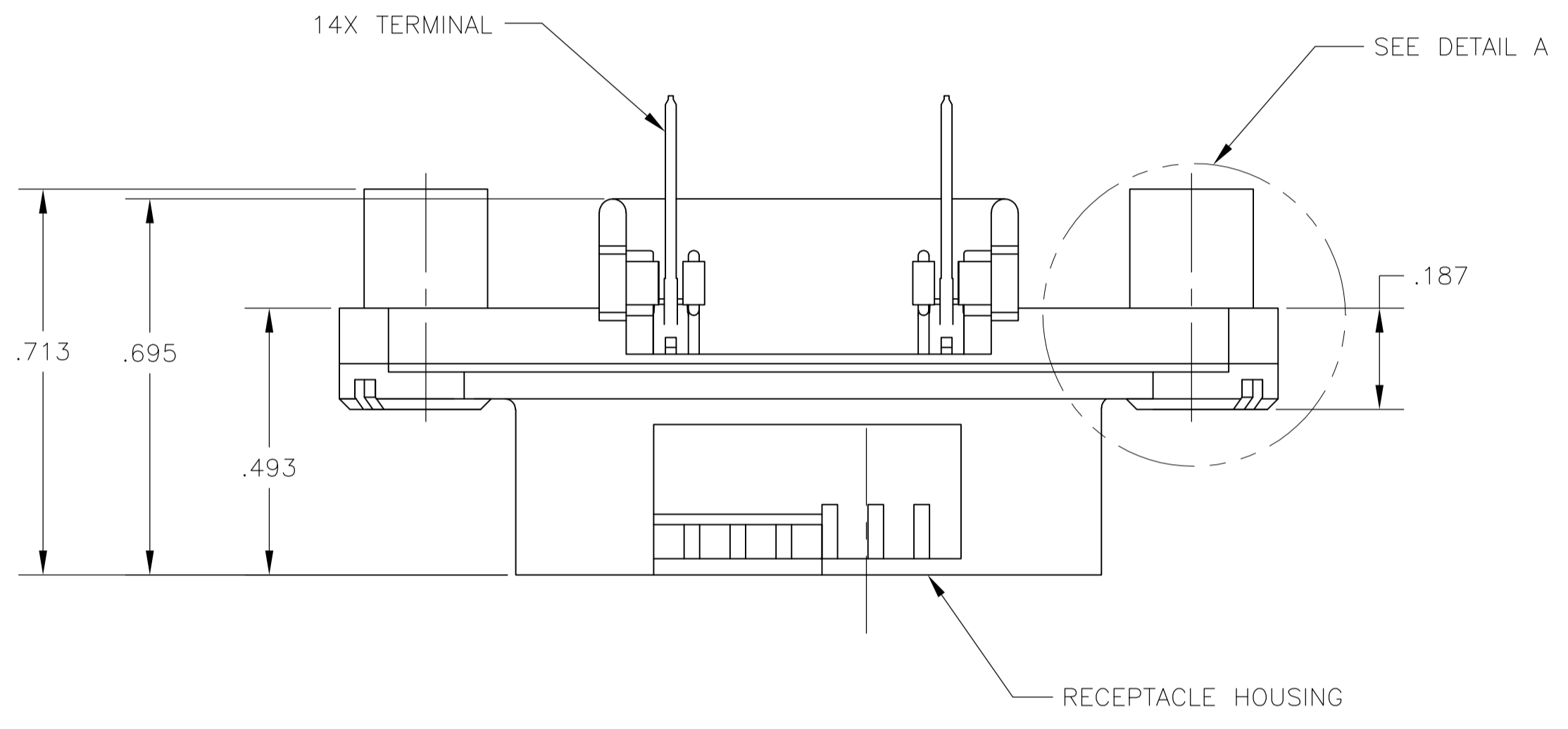
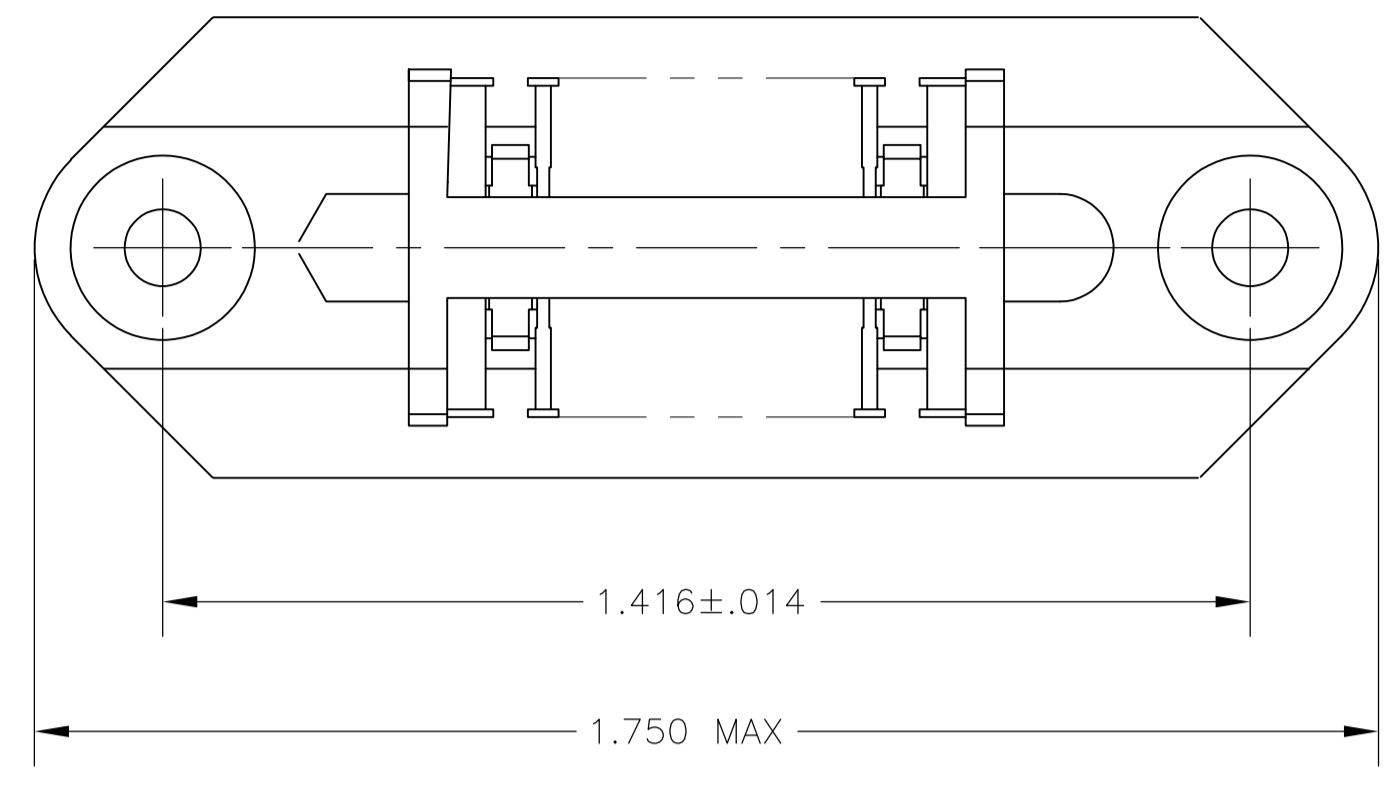


LOC		DIST		REVISIONS			
GP	00	REV	DATE	BY	APP'D	DATE	BY
B		REVISED PER ECO-08-007327	22JUL08	BM	WM		



- THE CONTACT SURFACES OF THE TERMINALS ARE COATED WITH LUBRICANT.
- ALL DIMENSIONS SHOWN ARE FOR REFERENCE ONLY UNLESS OTHERWISE SPECIFIED.
- MATERIAL: HOUSING - THERMOPLASTIC, BLACK.  
 TERMINAL - PHOS BRONZE PLATED WITH EITHER .000030 MINIMUM GOLD PLATE OR GOLD FLASH OVER PALLADIUM NICKEL PLATE, .000030 MINIMUM TOTAL ON MATING SURFACE. .000120 MINIMUM TIN PLATE ON TAILS OVER .000050 MINIMUM NICKEL UNDERPLATE OVER ENTIRE TERMINAL.

5552212-1  
 PART NUMBER

THIS DRAWING IS A CONTROLLED DOCUMENT.		DIN B LATTUCA	23AUG05	Tyco Electronics Corporation Harrisburg, PA 17105-3608																						
		CHK W MILLHIMES	23AUG05																							
DIMENSIONS: INCHES		TOLERANCES UNLESS OTHERWISE SPECIFIED:		NAME M WALMSLEY																						
<table border="1"> <tr><td>0. PLC</td><td>± .005</td></tr> <tr><td>1. PLC</td><td>± .005</td></tr> <tr><td>2. PLC</td><td>± .005</td></tr> <tr><td>3. PLC</td><td>± .005</td></tr> <tr><td>4. PLC</td><td>± .005</td></tr> <tr><td>ANGLES</td><td>± .005</td></tr> </table>		0. PLC	± .005		1. PLC	± .005	2. PLC	± .005	3. PLC	± .005	4. PLC	± .005	ANGLES	± .005	<table border="1"> <tr><td>APPROX</td><td>23AUG05</td></tr> <tr><td>PRODUCT SPEC</td><td></td></tr> <tr><td>APPLICATION SPEC</td><td></td></tr> <tr><td>SIZE</td><td></td></tr> <tr><td>WEIGHT</td><td></td></tr> </table>		APPROX	23AUG05	PRODUCT SPEC		APPLICATION SPEC		SIZE		WEIGHT	
0. PLC	± .005																									
1. PLC	± .005																									
2. PLC	± .005																									
3. PLC	± .005																									
4. PLC	± .005																									
ANGLES	± .005																									
APPROX	23AUG05																									
PRODUCT SPEC																										
APPLICATION SPEC																										
SIZE																										
WEIGHT																										
MATERIAL		FINISH		SIZE A1																						
3		3		CAGE CODE 00779																						
CUSTOMER DRAWING		SCALE 4:1		DRAWING NO 5552212																						
		SHEET 1 OF 1		REV B																						