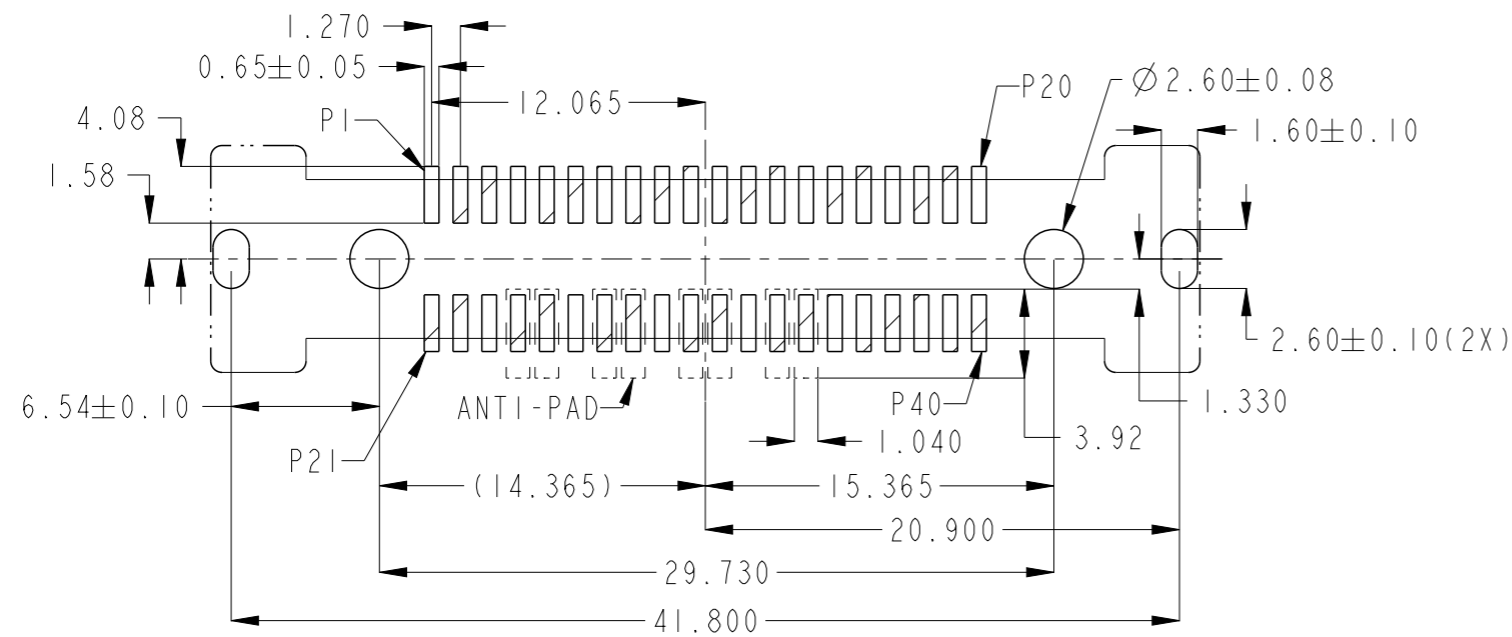


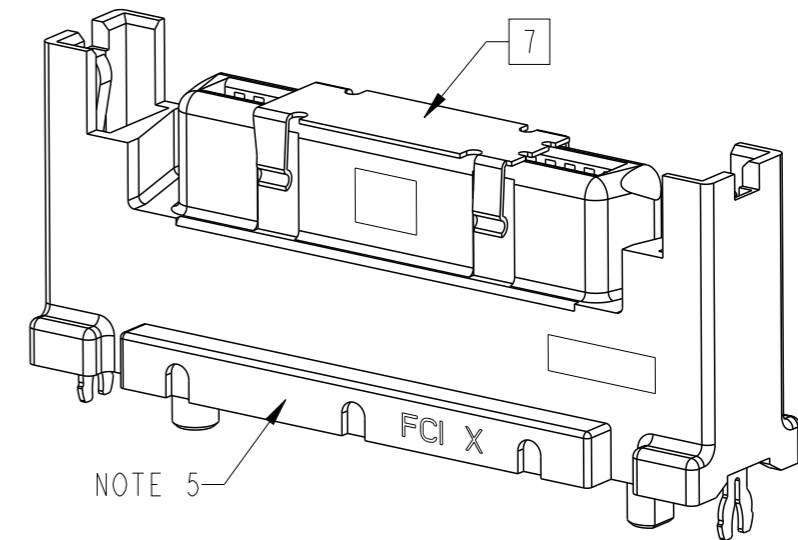
PRODUCT No.	PICK UP CAP	DUST COVER	PACKAGING
10073037-002LF	NO	NO	TRAY
10073037-002TRLF	NO	NO	TAPE & REEL
10073037-002CLF	YES	NO	TRAY
10073037-002C-TRLF	YES	NO	TAPE & REEL
10073037-012LF	NO	YES	TRAY
10073037-012CLF	YES	YES	TRAY
10073037-012C-TRLF	YES	YES	TAPE & REEL



- NOTES:
- MATERIAL :  
HOUSING : HIGH TEMPERATURE THERMOPLASTIC  
CONTACTS : COPPER ALLOY  
ESD CONTACTS : COPPER ALLOY
  - PLATING SPEC:  
CONTACTS : 1.27um/50u" MIN NICKEL UNDERPLATE  
0.76um/30u" MIN GOLD AT CONTACT AREA  
2.54um/100u" MIN TIN AT SOLDER TAIL  
ESD CONTACTS : 1.27um/50u" MIN NICKEL UNDERPLATE  
2.54um/100u" MIN TIN OVERALL
  - PLATING SPEC:  
CONTACTS : 1.27um/50u" MIN NICKEL UNDERPLATE  
0.76um/30u" MIN GXT PLATING AT CONTACT AREA  
2.54um/100u" MIN TIN AT SOLDER TAIL  
ESD CONTACTS : 1.27um/50u" MIN NICKEL UNDERPLATE  
2.54um/100u" MIN TIN OVERALL
  - THE HOUSING WILL WITHSTAND EXPOSURE TO 260°C PEAK TEMPERATURE FOR 10 SECONDS IN A CONVECTION, INFRA-RED OR VAPOR PHASE REFLOW OVEN.
  - THIS PRODUCT MEETS EUROPEAN UNION DIRECTIVES AND OTHER COUNTRY REGULATIONS AS DESCRIBED ON GS-22-008.
  - DUST COVER IS OPTIONAL, P/N 10074751-001LF. TO BE ORDER SEPARATELY.
  - A SYMBOL BE NEXT TO ANY DIMENSION, VIEW, OR NOTE WHICH HAS BEEN MODIFIED WITH THE CURRENT DRAWING REVISION.
  - DRAWING OF PICK UP CAP IS FOR ILLUSTRATION PURPOSE ONLY, ACTUAL ORIENTATION MAY NOT BE THE SAME ON PRODUCT.



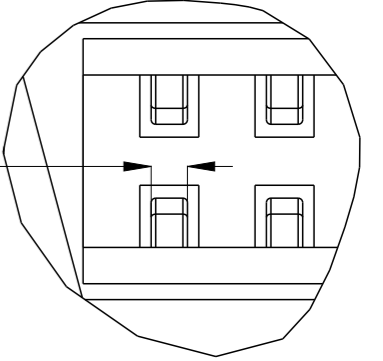
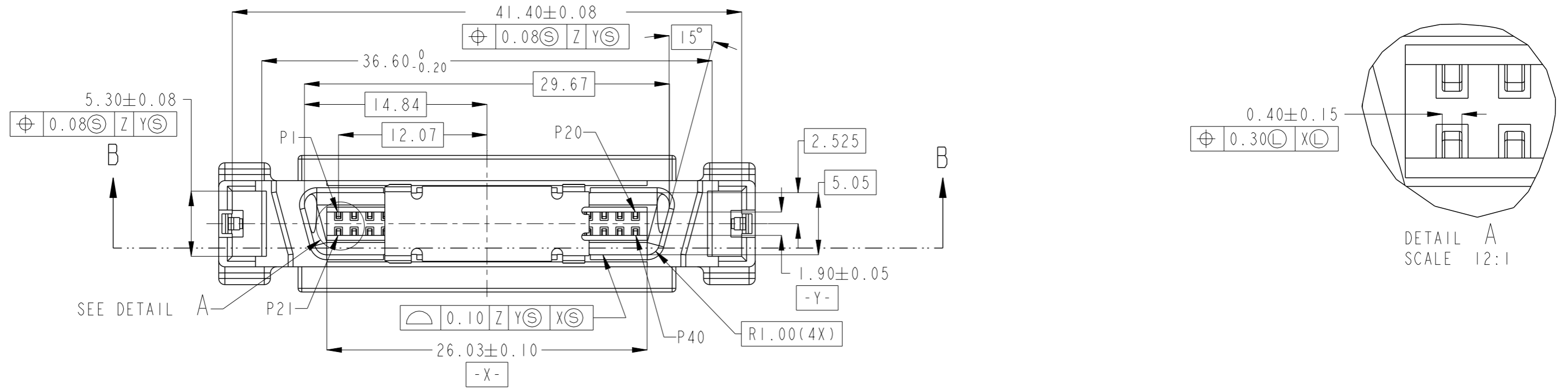
RECOMMENDED PCB LAYOUT  
FOR FORK-LOCK HOLD DOWN



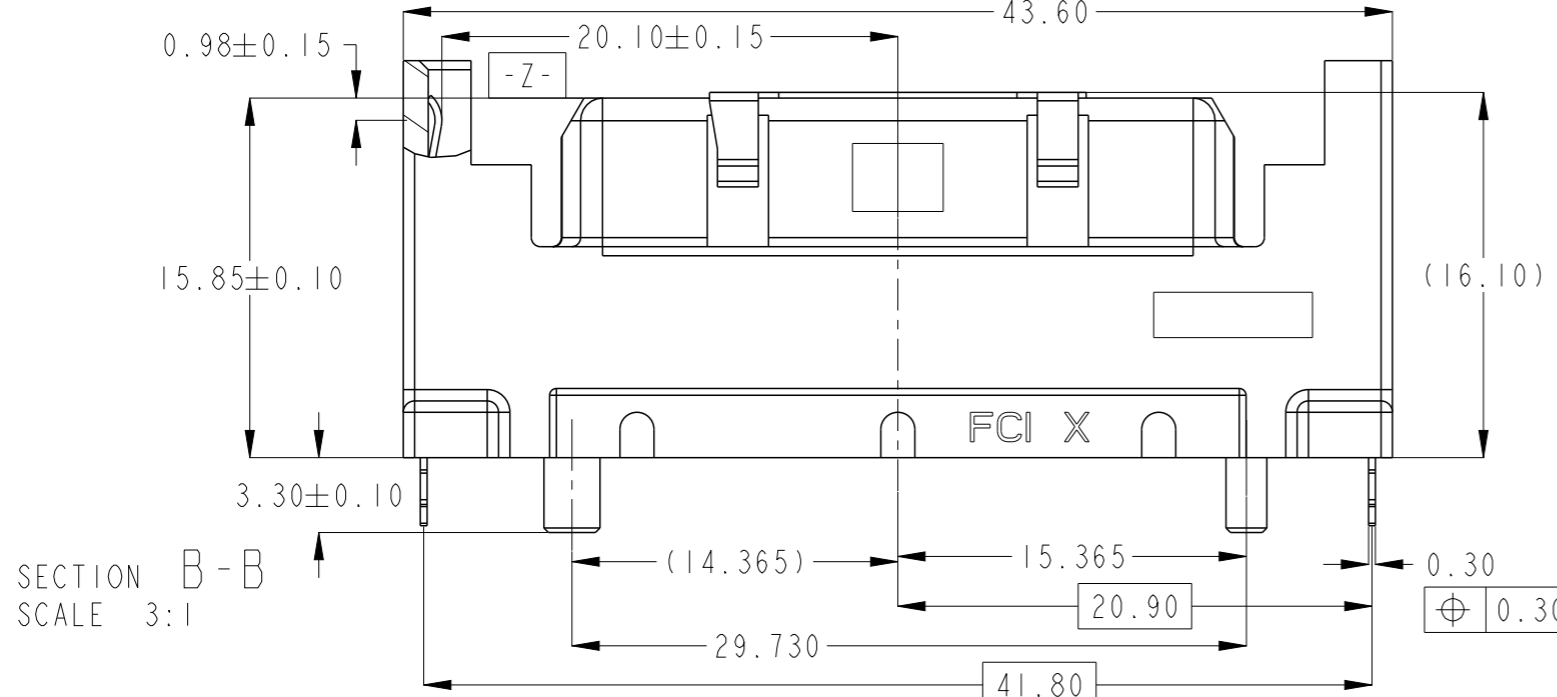
SCALE 5:2

spec ref	-	dr	Koon-Poh Tay	2009/03/26	projection	MM	size	A3	scale	1:1
tolerance std	ASME Y14.5	eng	Koon-Poh Tay	2013/12/24			ecn no	-	rel level	Released
	TOLERANCES UNLESS OTHERWISE SPECIFIED	chr	-	2013/12/25						
surface	✓	appr	Chen-Hong Tan	2013/12/25			dwg no	10073037	rev	H
ASME Y14.5	linear	0.X	±0.35	www.fci.com	cat. no.	-	Product - Customer Drw	sheet 1 of 2		
		0.XX	±0.25							
		0.XXX	±0.13							
	angular	0°	±2°							

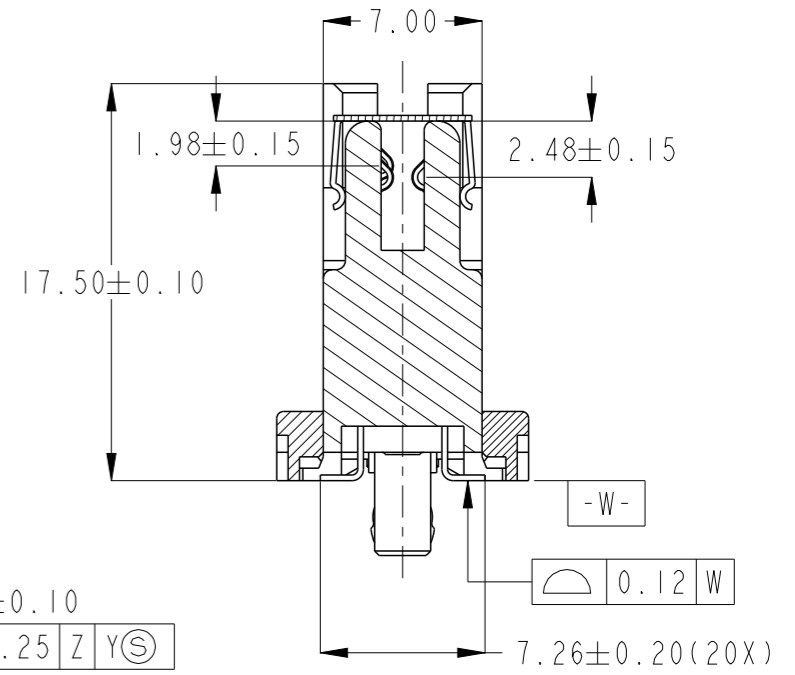
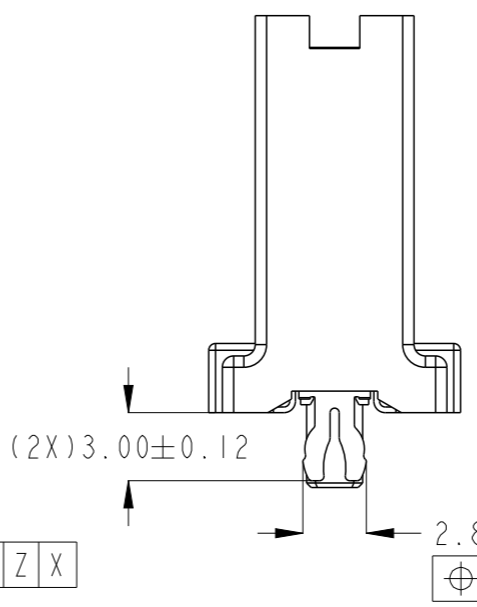
Copyright FCI.



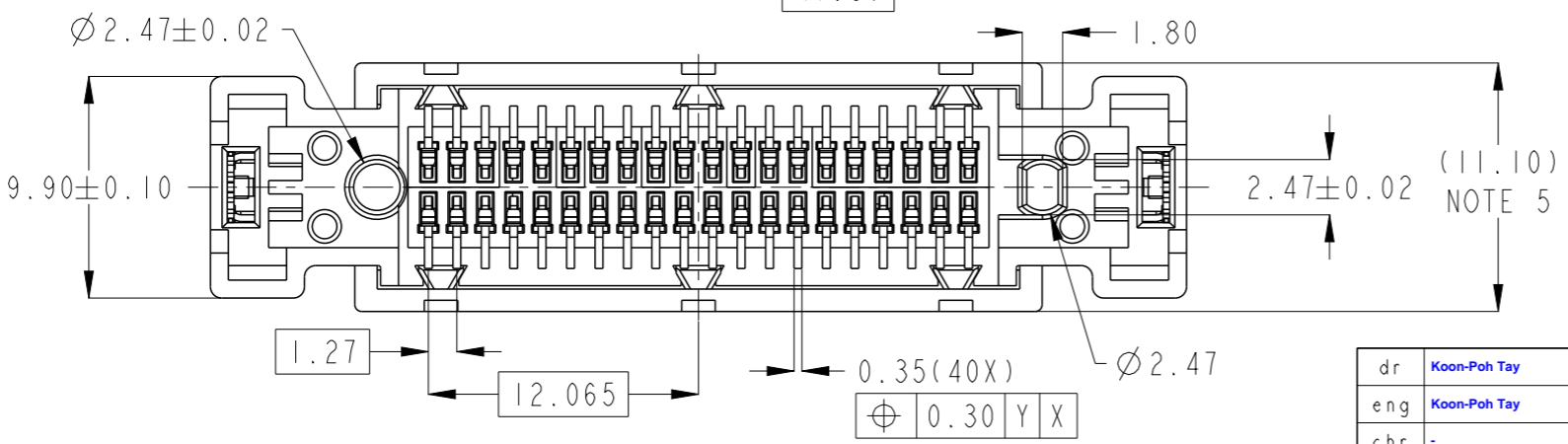
DETAIL A  
SCALE 12:1



SECTION B-B  
SCALE 3:1



SECTION A-A



NOTE 5

dr	Koon-Poh Tay	2009/03/26	projection	MM	size	A3	scale	1:1
eng	Koon-Poh Tay	2013/12/24			ecn no	ELX-S-16574-1		
chr	-	-			rel level	Released		
appr	Chen-Hong Tan	2013/12/25	product family	-				

	SCA-2 RECEPTACLE		dwg no	10073037	rev	H
	40 POS EXT. HT. VERTICAL SMT					
www.fci.com	cat. no.	-	Product - Customer Drw	sheet 2 of 2		