

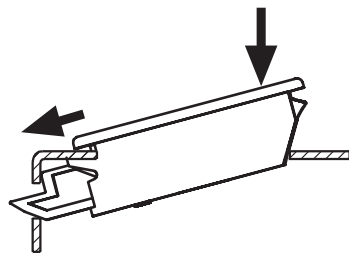
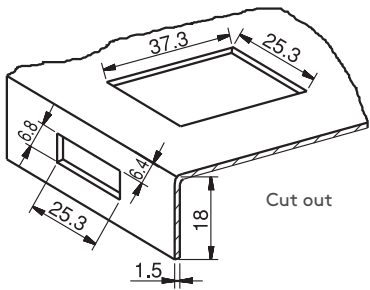
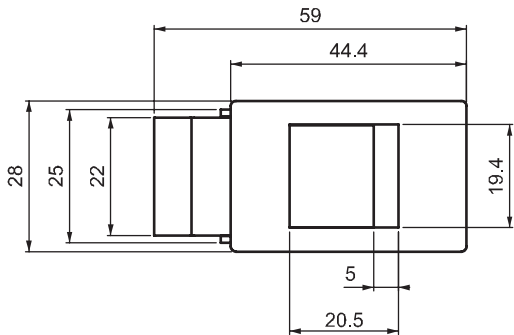
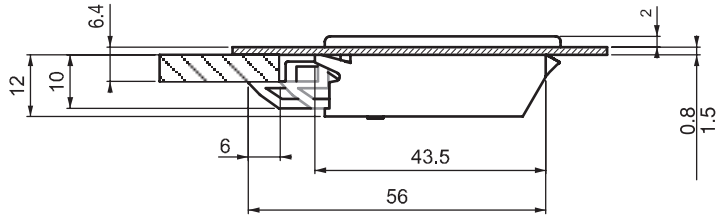
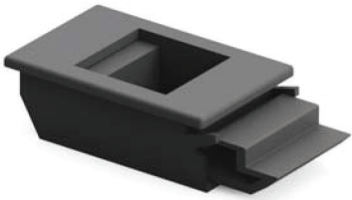


271

SLIDING LOCK



LH/RH



Follow the arrows for assembly instructions; open or close with internal movable parts

- Two-piece design eliminates paint problems on doors
- Suitable for small doors
- Easy assembly with clips on body
- Suitable for panel thicknesses of between 0.8 mm and 1.5 mm

APPLICATIONS

Small metal machinery covers

MATERIAL

BODY: PA6 GFR 30
 SPRING: Stainless Steel

