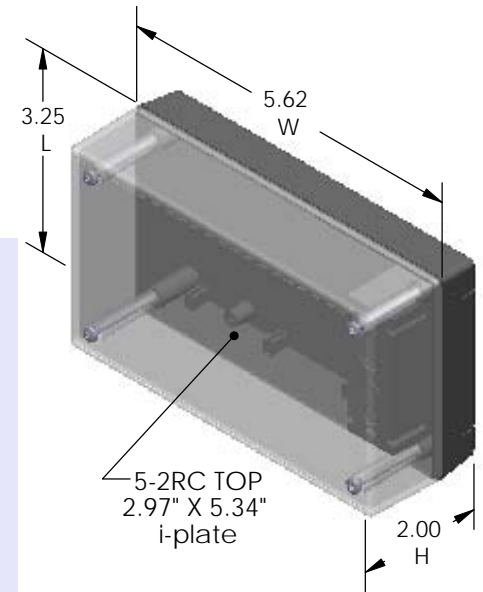
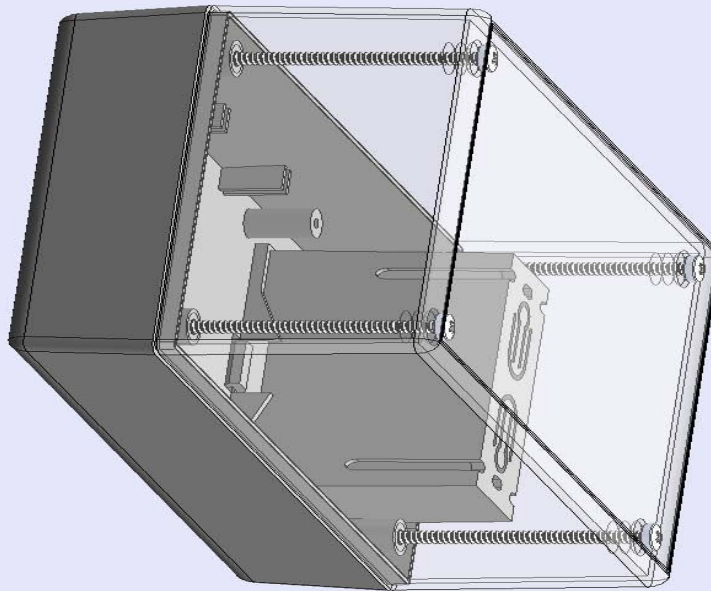


SERPAC 252RC (3D isometric)

Electronic Enclosures

-Click on image to show toolbar. Use ▶ || to Play/Pause Animation*.
 -Left click and drag on image to move 3D model.



- a) Zoom in & out with center wheel.
 - b) Pause at any moment to view and or print views.
 - c) Change the views to ortho and section views if needed from the Views pull down menu.
 - d) Explore options included in the tool bar like: Views, Transparency of model, Lighting type, etc.
- *(To have full interaction with the animated PDF files, please use free Adobe Reader 9 or newer version.)*

Notes: Enclosure weight .33 lbs / 150 gm

1) Enclosure meets or exceeds IP40 and NEMA 1

2) Circuit Board drawings can be download at:

<http://www.serpac.com/Accessories/CircuitBoard/drawings/359-459-cbg.pdf>

3) All components are RoHS Compliant.

PART NO.	DESCRIPTION (Included)	ACCESSORIES (Optional) More available; see website	
PART NO.	DESCRIPTION	PART NO.	DESCRIPTION
5-2RC	TOP (Clear Polycarbonate)		
25	BOTTOM	50	Non-skid Feet
1025	Battery Cover	359	Prototype grid board (bottom)
6018	4-40 Screws (4)	459	Prototype clad board (bottom)
6102	Threaded Inserts (4)	6004	Screw for circuit board

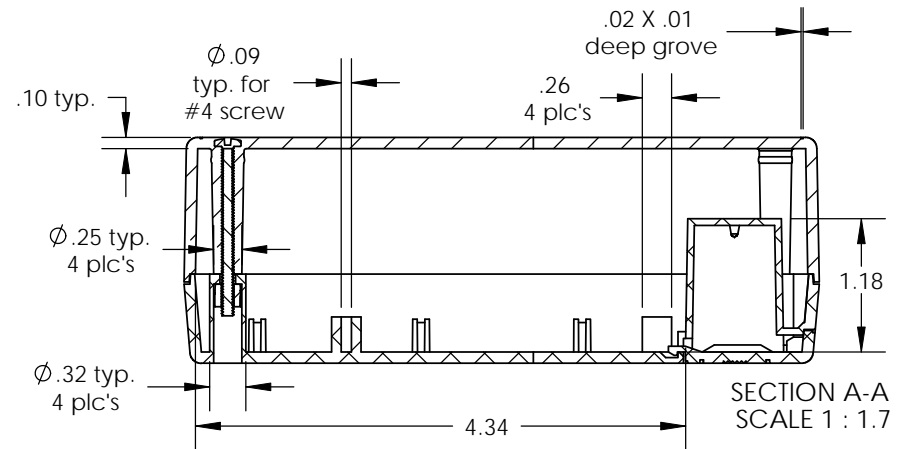
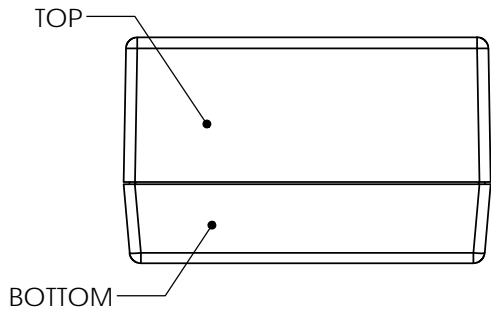
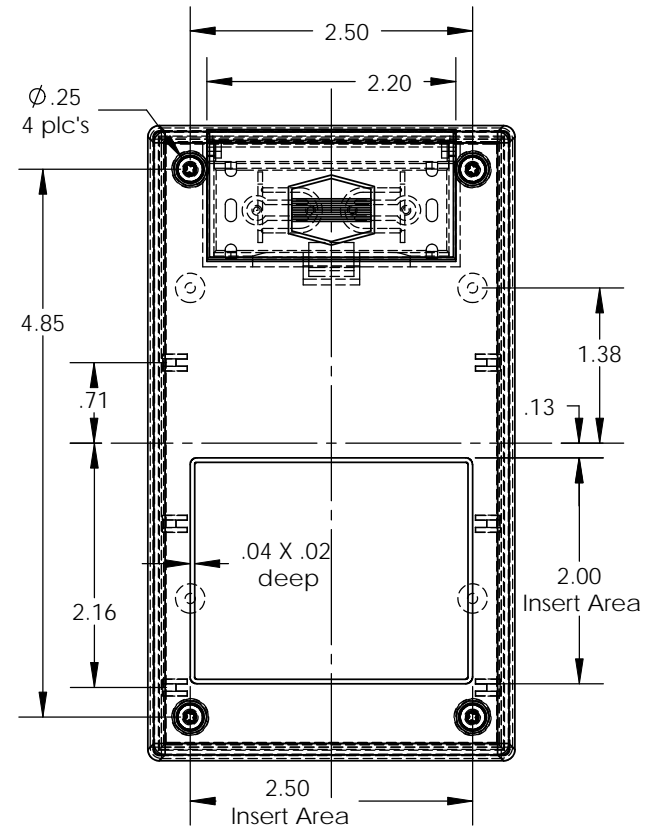
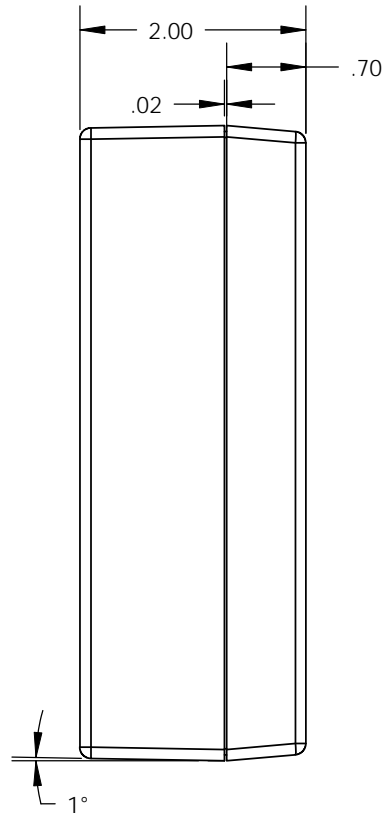
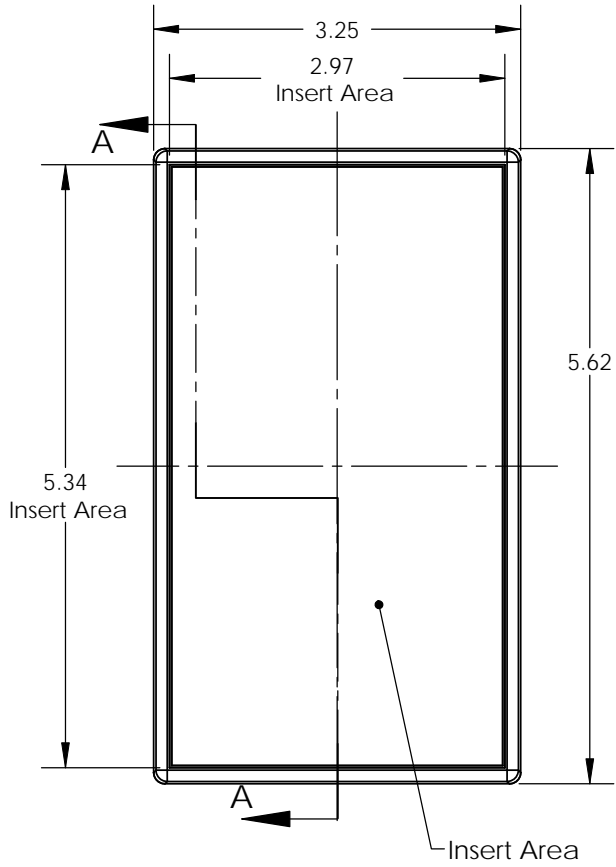
ALL DIMENSIONS ARE ±.010" 5/13/10 (1 of 2)

2009 Wright Ave. La Verne, CA 91750

Ph. (626) 331-0517 Fx. (626) 331-8584 serpac.com

SERPAC 252RC (user print)

Electronic Enclosures



PART NO.	DESCRIPTION (Included)	ACCESSORIES (Optional) More available; see website	
PART NO.	DESCRIPTION	PART NO.	DESCRIPTION
5-2RC	TOP (Clear Polycarbonate)		
25	BOTTOM	50	Non-skid Feet
1025	Battery Cover	359	Prototype grid board (bottom)
6018	4-40 Screws (4)	459	Prototype clad board (bottom)
6102	Threaded Inserts (4)	6004	Screw for circuit board

Notes: Enclosure weight .33 lbs / 150 gm
 1) Enclosure meets or exceeds IP40 and NEMA 1
 2) Circuit Board drawings can be download at:
<http://www.serpac.com/Accessories/CircuitBoard/drawings/359-459-cbg.pdf>
 3) All components are RoHS Compliant.

ALL DIMENSIONS ARE ± .010" 5/13/10 (2 of 2)
 2009 Wright Ave. La Verne, CA 91750
 Ph. (626) 331-0517 Fx. (626) 331-8584 www.serpac.com