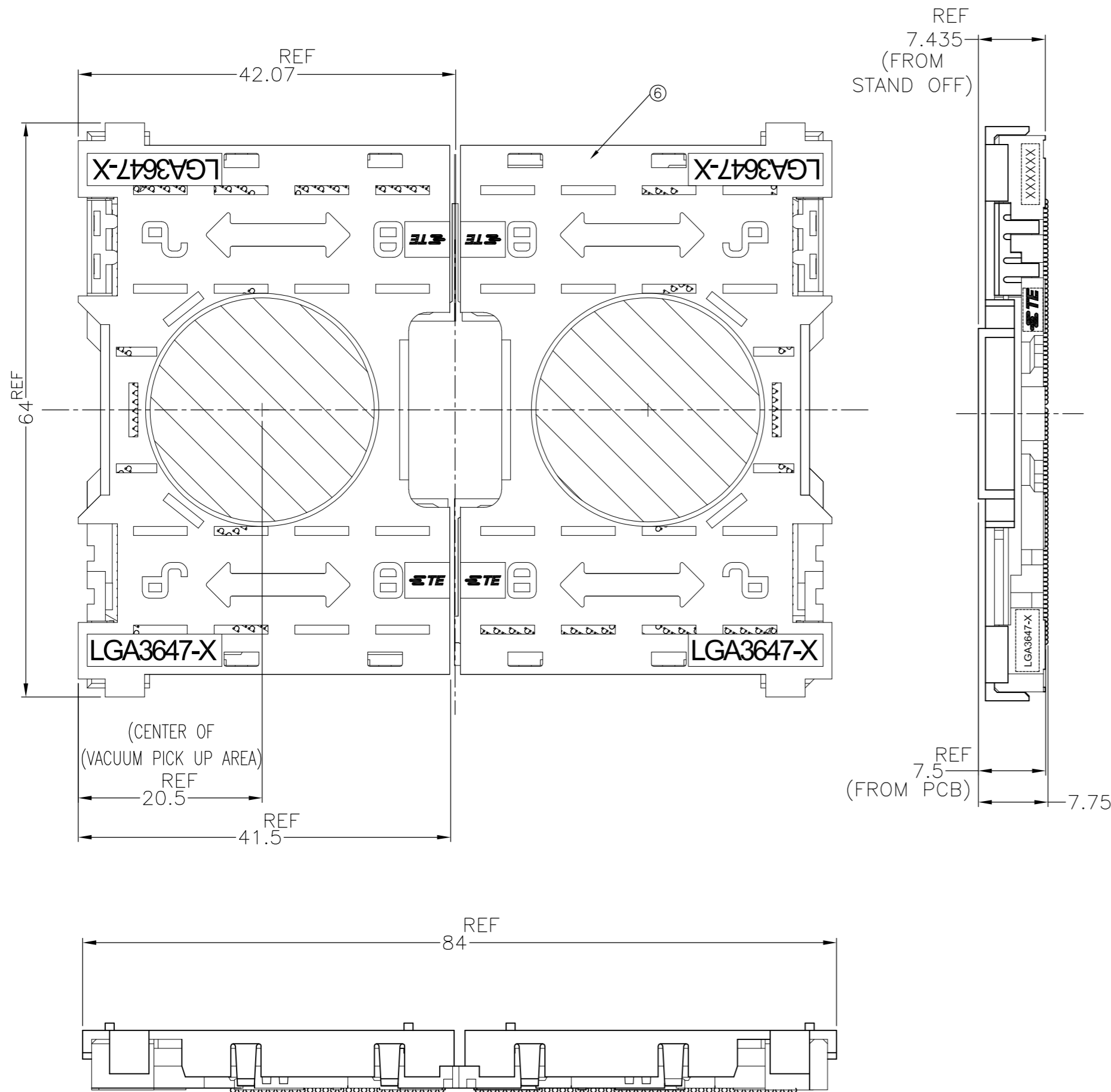


THIS DRAWING IS UNPUBLISHED. RELEASED FOR PUBLICATION
 © COPYRIGHT - Tyco Electronics JAPAN G.K. ALL RIGHTS RESERVED.

LOC	DIST	REVISIONS					
		P	LTR	DESCRIPTION	DATE	DWN	APVD
ES	-	B		ECR-16-016785	28NOV2016	B.L	C.W



1. MATERIAL

- ① HOUSING : HIGH TEMP, THERMO-PLASTIC, UL94V-0, BLACK
- ② CONTACT : COPPER ALLOY
FINISH : Au PL. SHOW AS Δ AT CONTACT AREA
ON OVERALL OVER Ni UNDER PL. 0.00127 MIN.
- ③ SOLDER BALL : Sn/Ag/Cu
- ④ KEY HSG LEFT : HIGH TEMP. THERMO-PLASTIC, UL94V-0, BLACK
- ⑤ KEY HSG RIGHT: HIGH TEMP. THERMO-PLASTIC, UL94V-0, PO YELLOW, P1 NATURAL
- ⑥ CAP : HIGH TEMP. THERMO-PLASTIC, UL94V-0, NATURAL

Δ INDICATED DATE CODE , TYCO LOGO, PRODUCT NAME ON THE HSG

3. THIS PRODUCT IS RESTRICTED TO INTEL CORPORATION

Δ FOR NORMAL ORDER, LEFT AND RIGHT SEGMENT SHOULD ORDER AT SAME TIME

30u" MIN AU		LGA3647-1 LGA3647-0		PRODUCT NAME	PLATING SPEC.
SOCKET P1		SOCKET P0			
LGA3647-1 RIGHT SEGMENT	LGA3647-1 LEFT SEGMENT	LGA3647-0 RIGHT SEGMENT	LGA3647-0 LEFT SEGMENT	ASSY PART NUMBER	PRODUCT NAME
2822980-4	1-2822980-4	2822980-3	1-2822980-3	2-2822979-4	
				2-2822979-3	

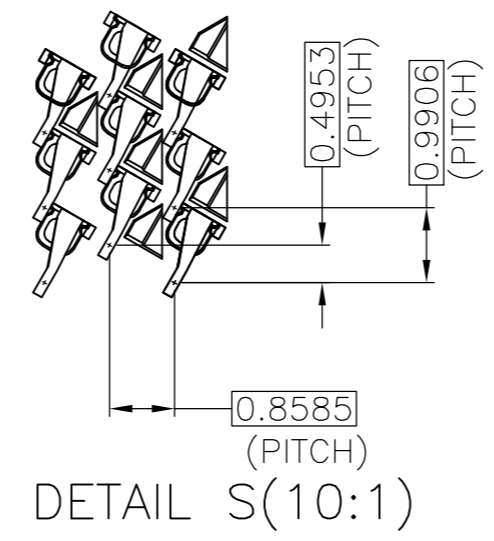
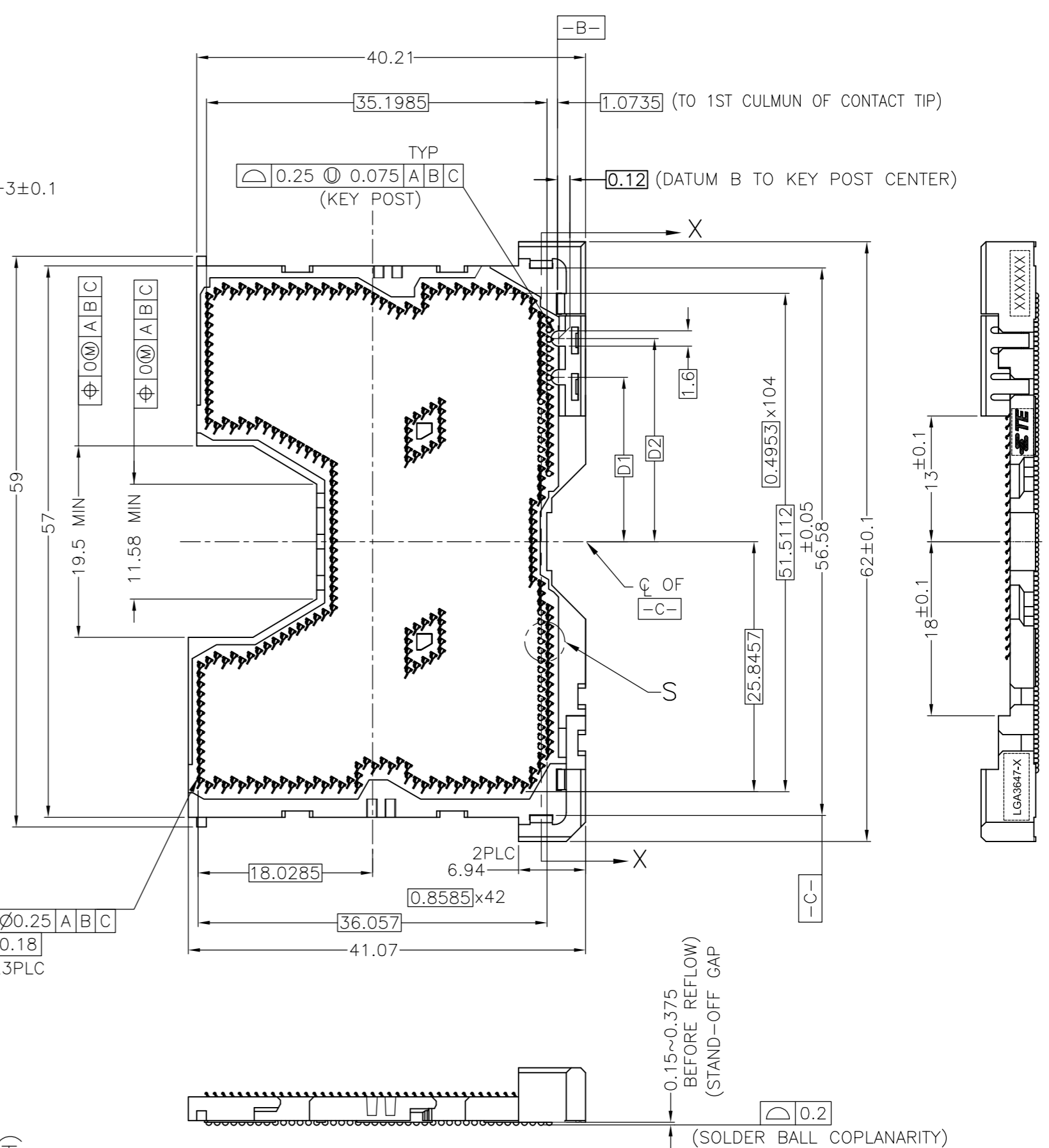
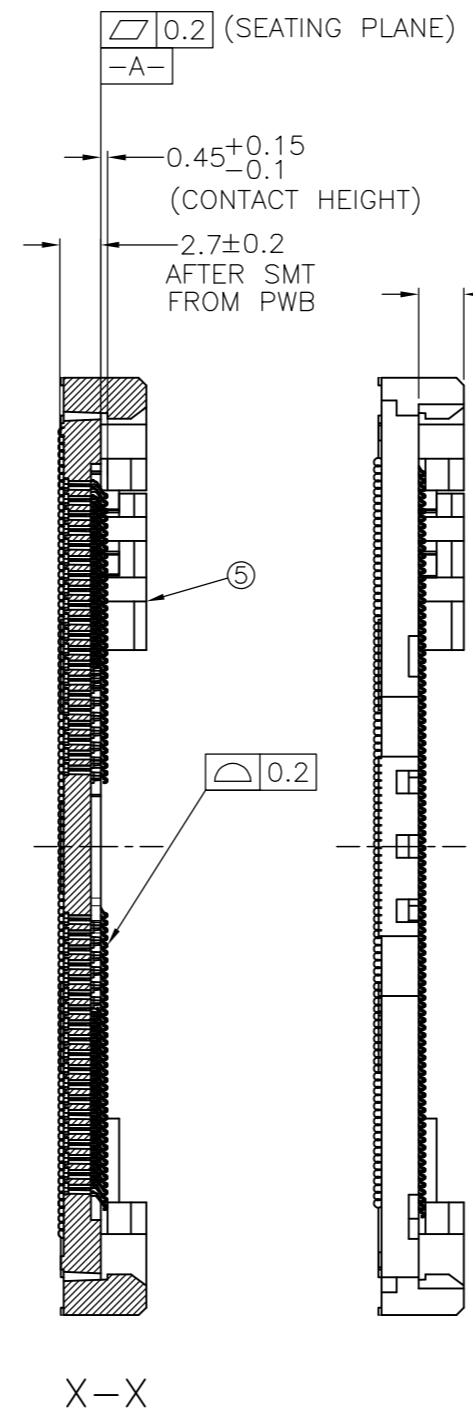
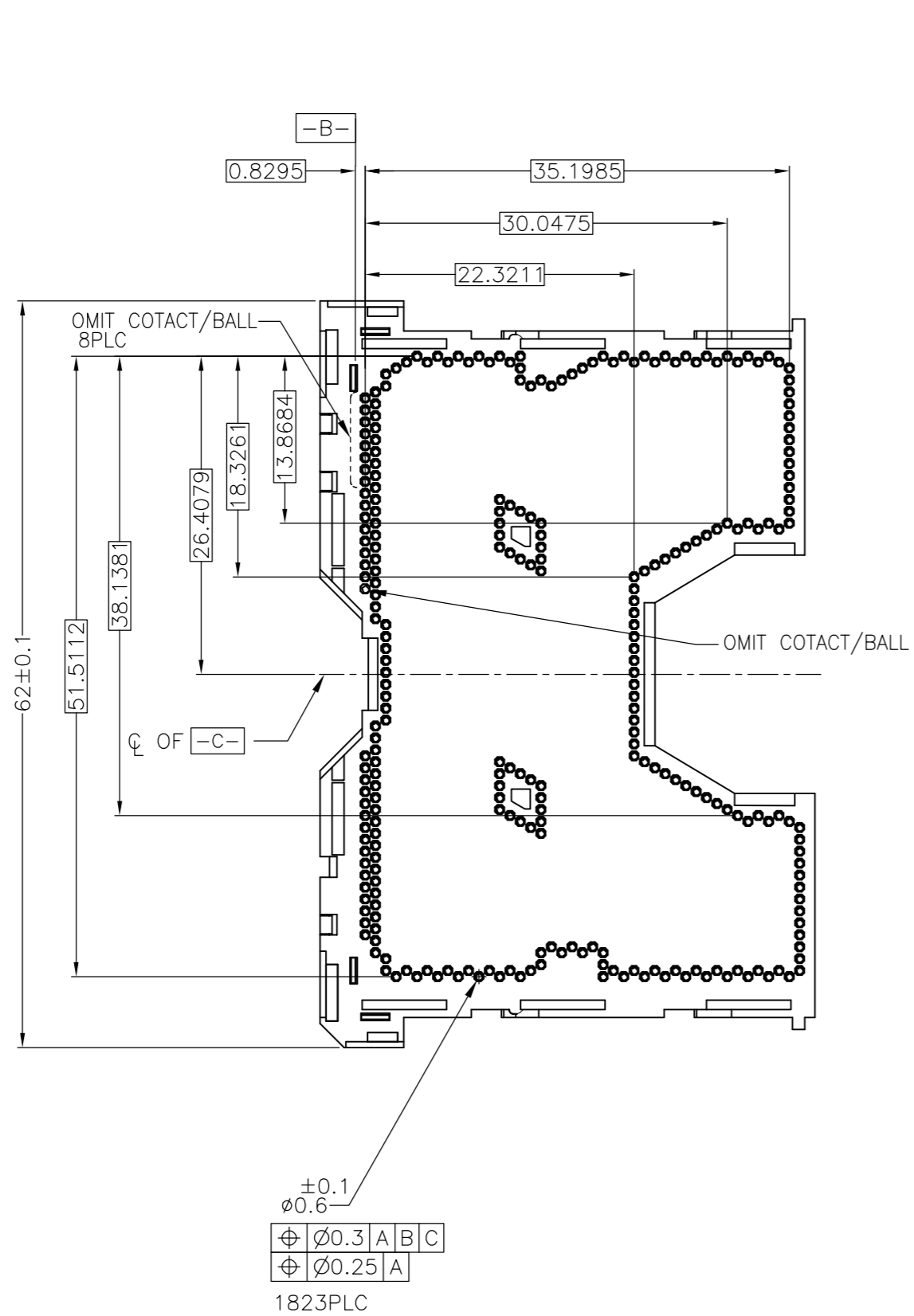
14.5	21	17	1	1	1	1	2-2822979-4
		16				1	2-2822979-3
PRODUCT WEIGHT (g/SOCKET)	DIMENSION D2	DIMENSION D1	QTY.			ORDER PART NO.	

AFTER SMT CONDITION (WITH CAP)

THIS DRAWING IS A CONTROLLED DOCUMENT.

DWN	T.KUO	04MAR2015		
CHK	M.CHAO	04MAR2015		
APVD	M.CHAO	04MAR2015		
PRODUCT SPEC	108-115115			
APPLICATION SPEC	114-115011		SIZE	A2
WEIGHT	-		CAGE CODE	00779
CUSTOMER DRAWING			DRAWING NO	C=2822979
			RESTRICTED TO	-
			SCALE	NTS
			SHEET	1 of 7
			REV	B

LOC		DIST		REVISIONS			
P	LTR	DESCRIPTION	DATE	DWN	APVD		
-	-	SEE SHEET 1	-	-	-	-	-

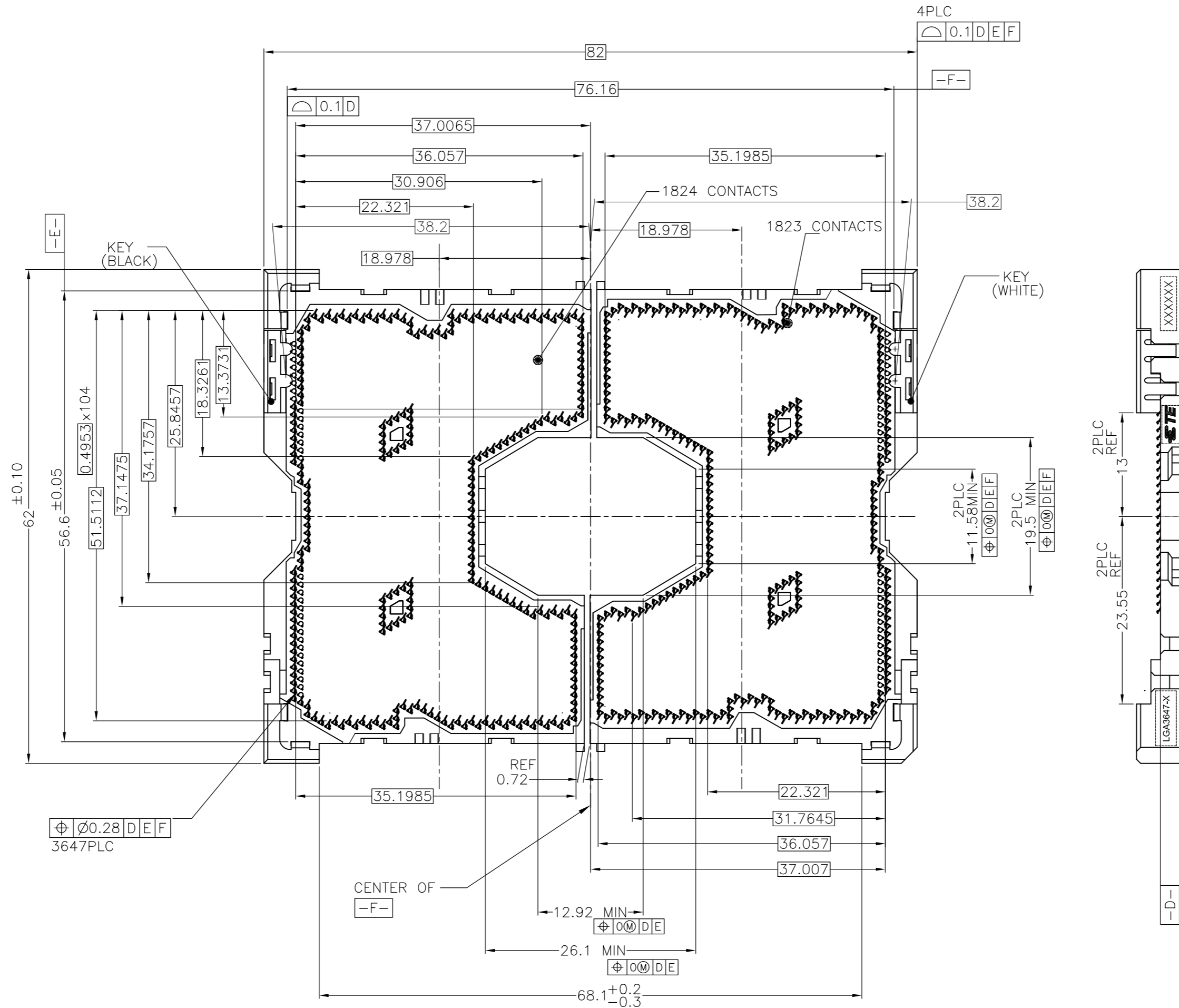


THESE VIEW DON'T SHOW CAP BEFORE SMT CONDITION LGA3647-1 RIGHT SIDE ASSY 2822980-* AS SHOWN

THIS DRAWING IS A CONTROLLED DOCUMENT.		DWN	-	TE Connectivity	
DIMENSIONS: mm		CHK	-		
TOLERANCES UNLESS OTHERWISE SPECIFIED:		APVD	-	NAME	
0-PLC ± 1-PLC ±0.3 2-PLC ± 3-PLC ±3 4-PLC ± ANGLES ± FINISH -		PRODUCT SPEC	-	SOCKET ASSY LGA3647-X	
MATERIAL		APPLICATION SPEC	-	SIZE	A2
		WEIGHT	-	CAGE CODE	00779
		CUSTOMER DRAWING	-	DRAWING NO	C=2822979
		SCALE	NTS	SHEET	3 OF 7
		REV	B	RESTRICTED TO	-

THIS DRAWING IS UNPUBLISHED. RELEASED FOR PUBLICATION
 © COPYRIGHT - Tyco Electronics JAPAN G.K. ALL RIGHTS RESERVED.

LOC	DIST	REVISIONS					
		P	LTR	DESCRIPTION	DATE	DWN	APVD
ES	-	-	-	SEE SHEET 1	-	-	-



AFTER SMT CONDITION

THIS DRAWING IS A CONTROLLED DOCUMENT.		DWN	-	 TE Connectivity	NAME				
DIMENSIONS: mm		CHK	-			PRODUCT SPEC APPLICATION SPEC			
TOLERANCES UNLESS OTHERWISE SPECIFIED: 0-PLC ± 1-PLC ± 2-PLC ±0.3 3-PLC ±3.0 4-PLC ± ANGLES ±		APVD	-						
MATERIAL		FINISH					SIZE	CAGE CODE	DRAWING NO
-		-		A2	00779		C=2822979	-	
CUSTOMER DRAWING				SCALE	NTS	SHEET	4 OF 7	REV	B

THIS DRAWING IS UNPUBLISHED. RELEASED FOR PUBLICATION
 © COPYRIGHT - Tyco Electronics JAPAN G.K. ALL RIGHTS RESERVED.

LOC	DIST	REVISIONS					
ES	-	P	LTR	DESCRIPTION	DATE	DWN	APVD
		-	-	SEE SHEET 1	-	-	-

D

C

B

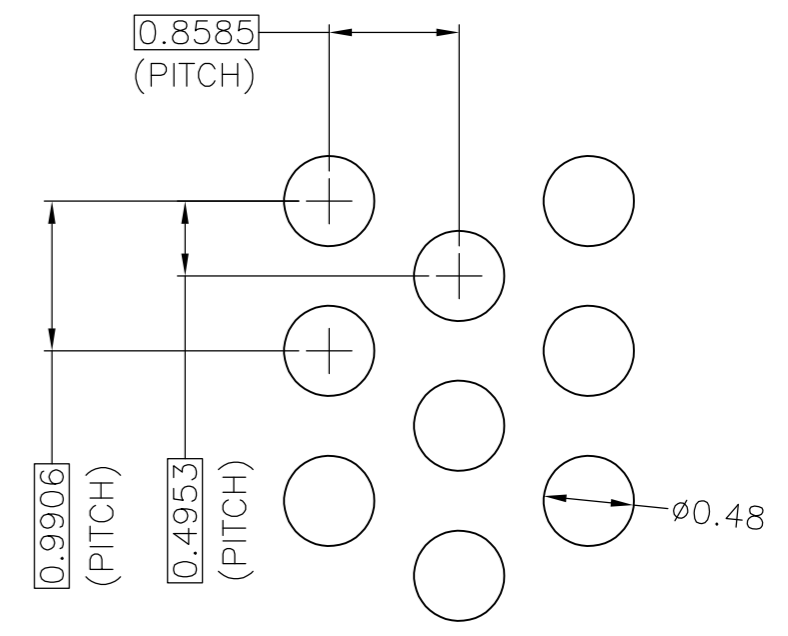
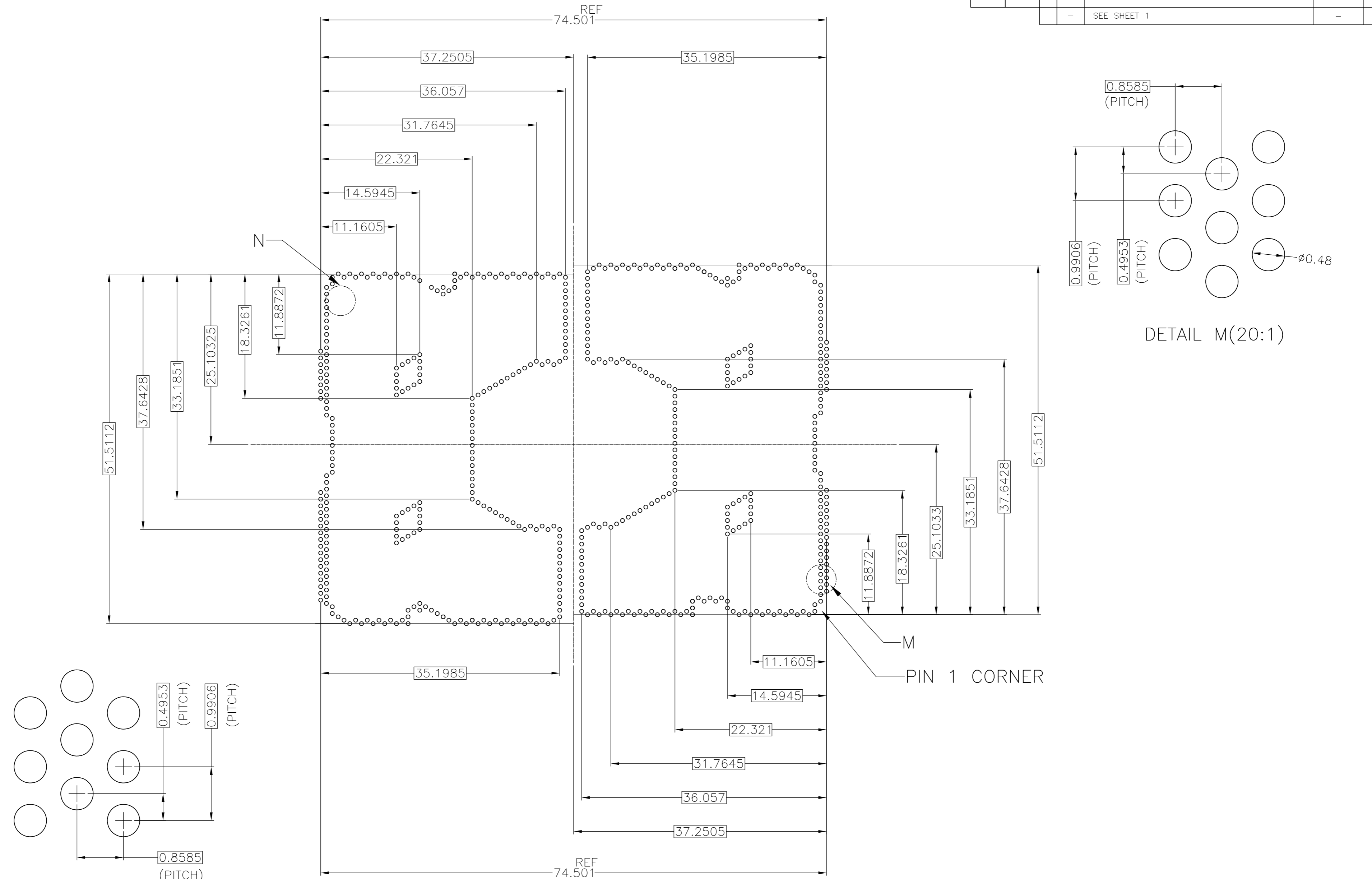
A

D

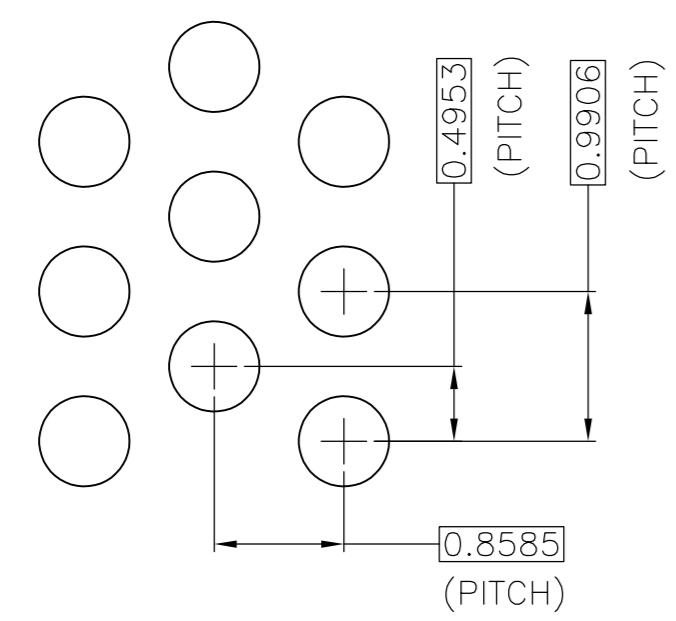
C

B

A



DETAIL M(20:1)



DETAIL N(20:1)

2822979

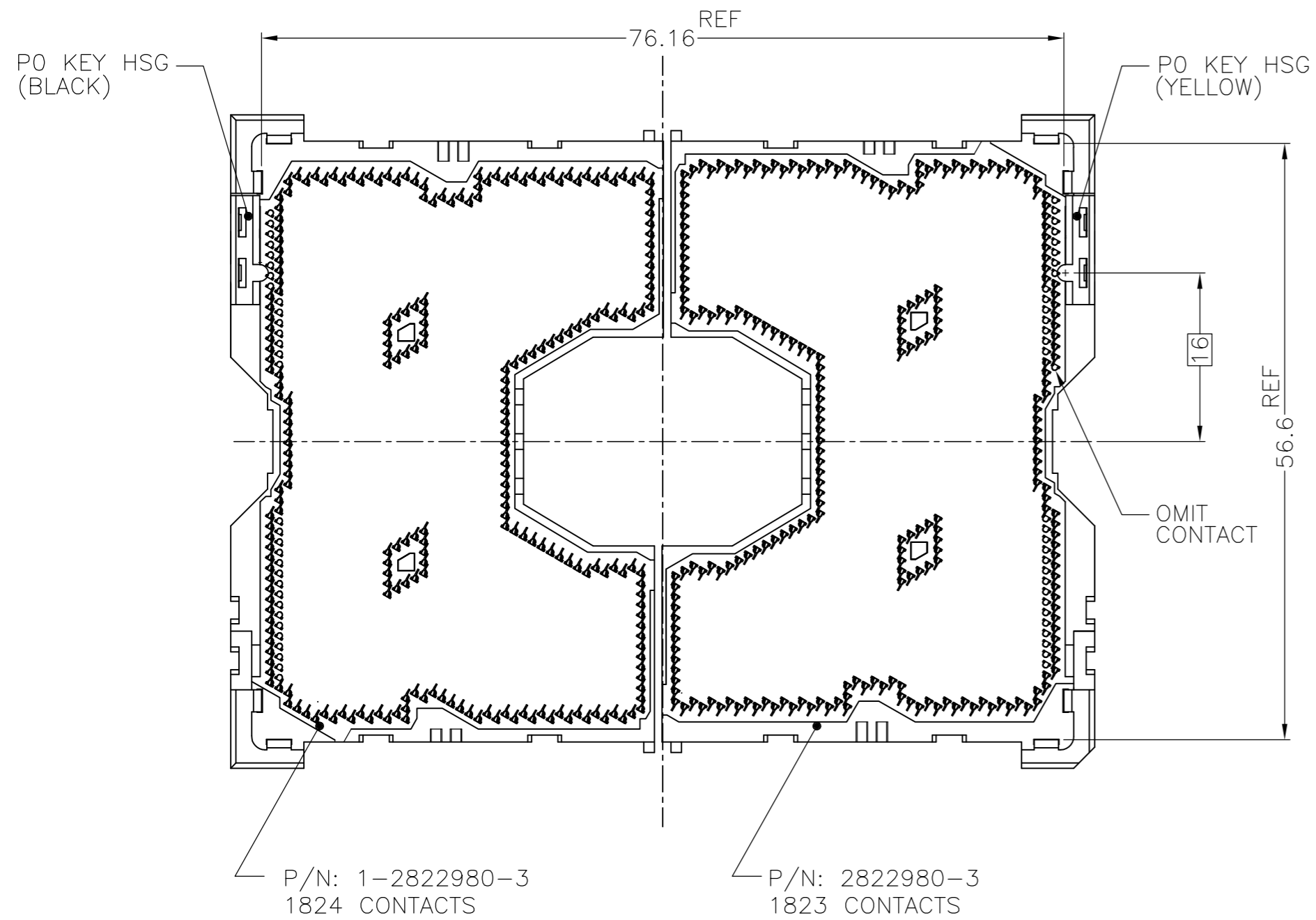
THIS DRAWING IS A CONTROLLED DOCUMENT.		DWN	-		
DIMENSIONS: mm		CHK	-		
TOLERANCES UNLESS OTHERWISE SPECIFIED:		APVD	-		
0-PLC ±		NAME			
1-PLC ± ±0.3		PRODUCT SPEC			
2-PLC ± ±3		APPLICATION SPEC			
3-PLC ±		SIZE	CAGE CODE	DRAWING NO	RESTRICTED TO
4-PLC ±		A2	00779	C=2822979	-
ANGLES ±		CUSTOMER DRAWING			
FINISH		SCALE	SHEET	REV	
		NTS	5 of 7	B	



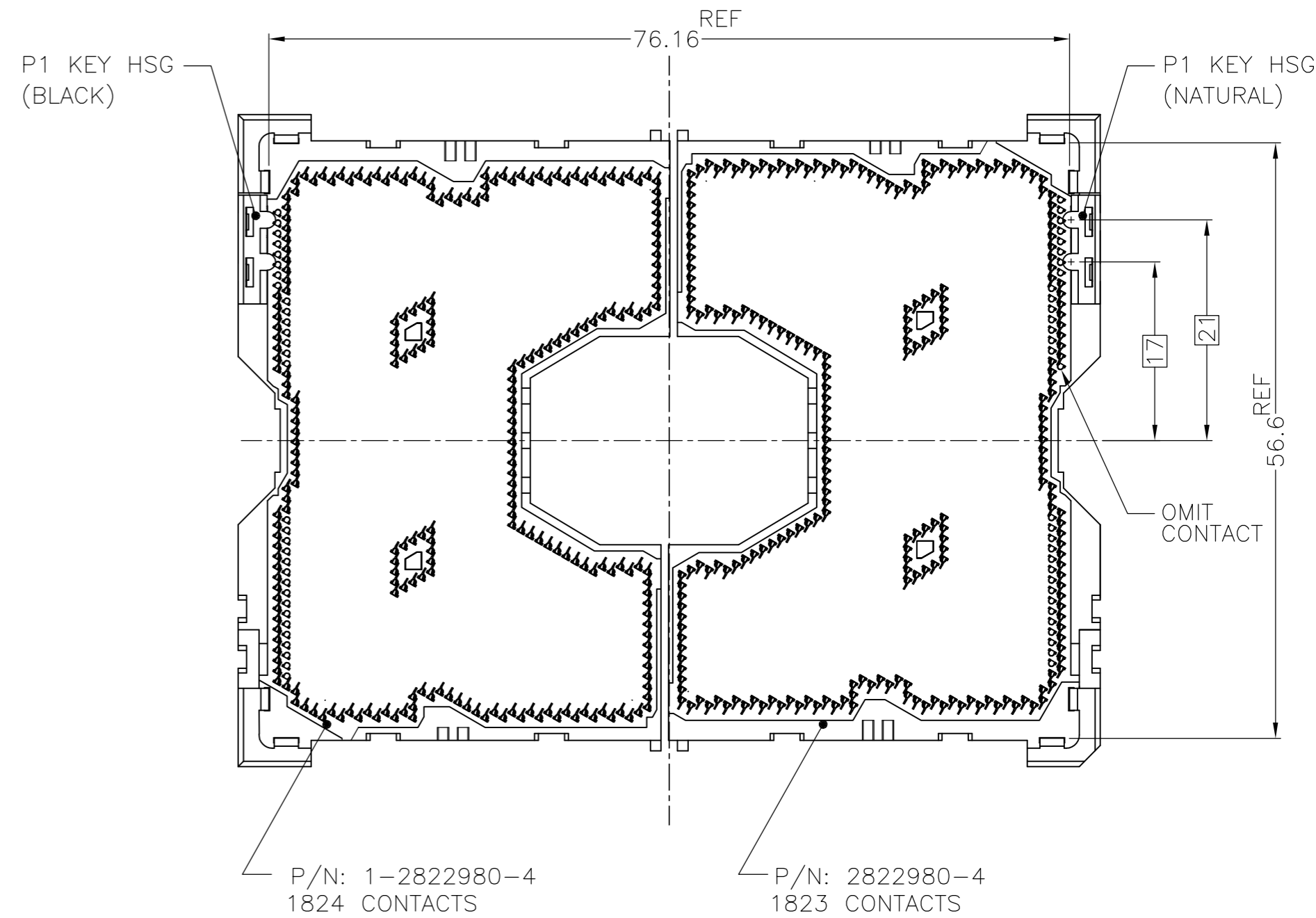
SOCKET ASSY
LGA3647-X

THIS DRAWING IS UNPUBLISHED. RELEASED FOR PUBLICATION
 © COPYRIGHT - Tyco Electronics JAPAN G.K. ALL RIGHTS RESERVED.

LOC	DIST	REVISIONS					
		P	LTR	DESCRIPTION	DATE	DWN	APVD
ES	-	-	-	SEE SHEET 1	-	-	-



LGA3647-0 AS SHOWN
 (KIT P/N: 2-2822979-3)



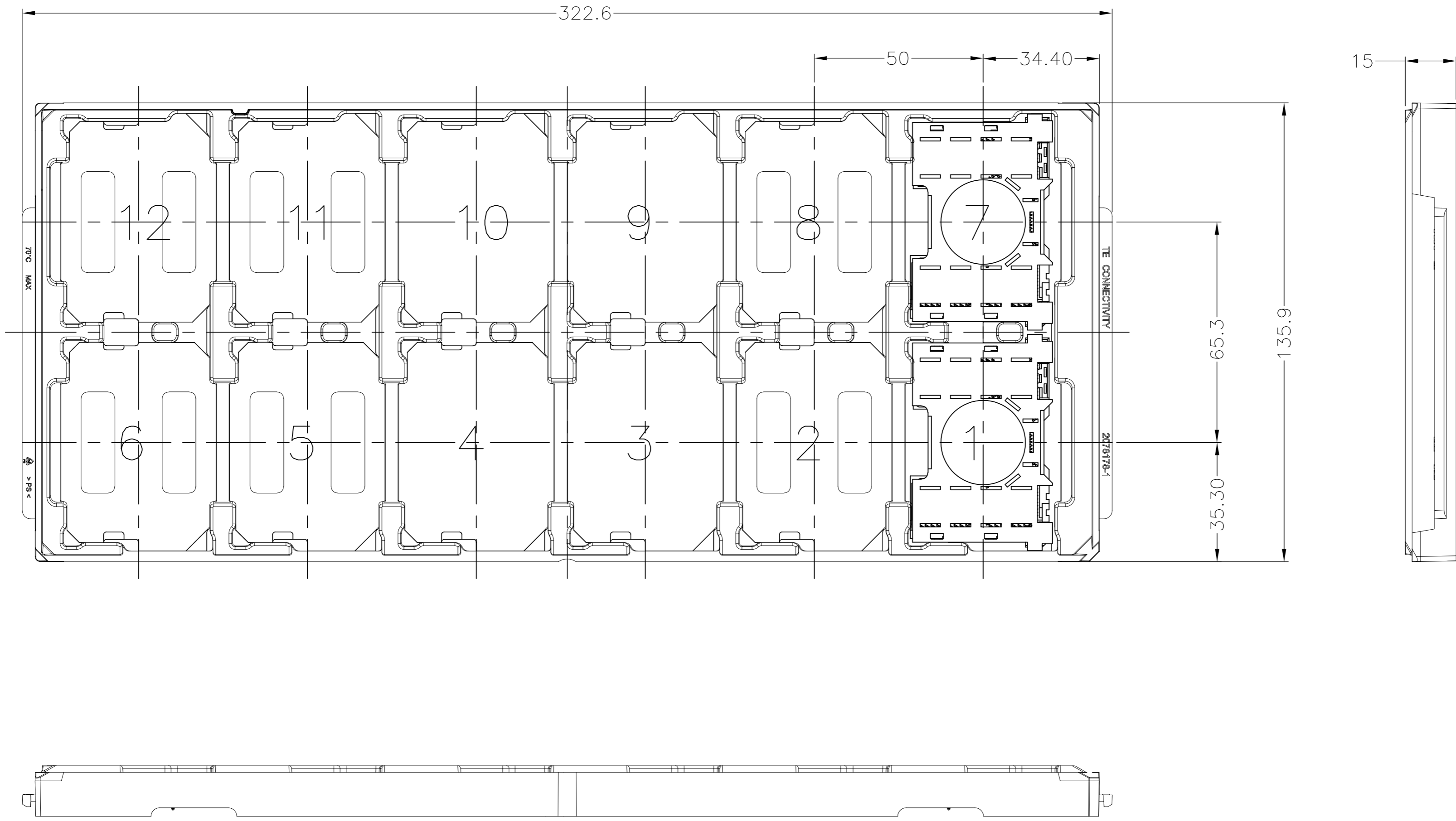
LGA3647-1 AS SHOWN
 (KIT P/N: 2-2822979-4)

LGA3647-X POST SMT CONDITION
 (PCB IS NOT SHOWN)

THIS DRAWING IS A CONTROLLED DOCUMENT.		DWN	TE Connectivity		
DIMENSIONS: mm		CHK	NAME		
TOLERANCES UNLESS OTHERWISE SPECIFIED:		APVD	SOCKET ASSY LGA3647-X		
0-PLC ±		PRODUCT SPEC	SIZE	CAGE CODE	DRAWING NO
1-PLC ± ±0.3		APPLICATION SPEC	A2	00779	C=2822979
2-PLC ± ±3		WEIGHT	RESTRICTED TO		
3-PLC ± ±		CUSTOMER DRAWING	SCALE	SHEET	REV
4-PLC ± ±			NTS	6 of 7	B
FINISH					

THIS DRAWING IS UNPUBLISHED. RELEASED FOR PUBLICATION
 © COPYRIGHT - Tyco Electronics JAPAN G.K. ALL RIGHTS RESERVED.

LOC		DIST		REVISIONS			
P	LTR	DESCRIPTION		DATE	DWN	APVD	
-	-	SEE SHEET 1		-	-	-	



FOR LEFT SEGMENT, USE BLACK TRAY TO PACKAGE.
 FOR RIGHT SEGMENT, USE BLUE TRAY TO PACKAGE.

SOCKET QTY(KIT) PER OUTER BOX	SOCKET QTY PER INNER BOX	SOCKET QTY PER TRAY	ASSY PART NUMBER	ORDER PART NUMBER	PRODUCT NAME
84	84	12	2822980-4	2-2822979-4	LGA3647-1 RIGHT SEGMENT
	84	12	1-2822980-4		LGA3647-1 LFFT SEGMENT
84	84	12	2822980-3	2-2822979-3	LGA3647-0 RIGHT SEGMENT
	84	12	1-2822980-3		LGA3647-0 LFFT SEGMENT

THIS DRAWING IS A CONTROLLED DOCUMENT.

DWN	-		TE Connectivity		
CHK	-		NAME		
APVD	-		SOCKET ASSY LGA3647-X		
PRODUCT SPEC	-		SIZE	CAGE CODE	DRAWING NO
APPLICATION SPEC	-	A2	00779	C=2822979	-
MATERIAL	-	WEIGHT		-	-
FINISH	-	CUSTOMER DRAWING		SCALE	SHEET
				NTS	7 of 7