

QUICK START GUIDE FOR DEMONSTRATION CIRCUIT 709 DUAL SIM/SMART CARD POWER SUPPLY AND INTERFACE

LTC4557

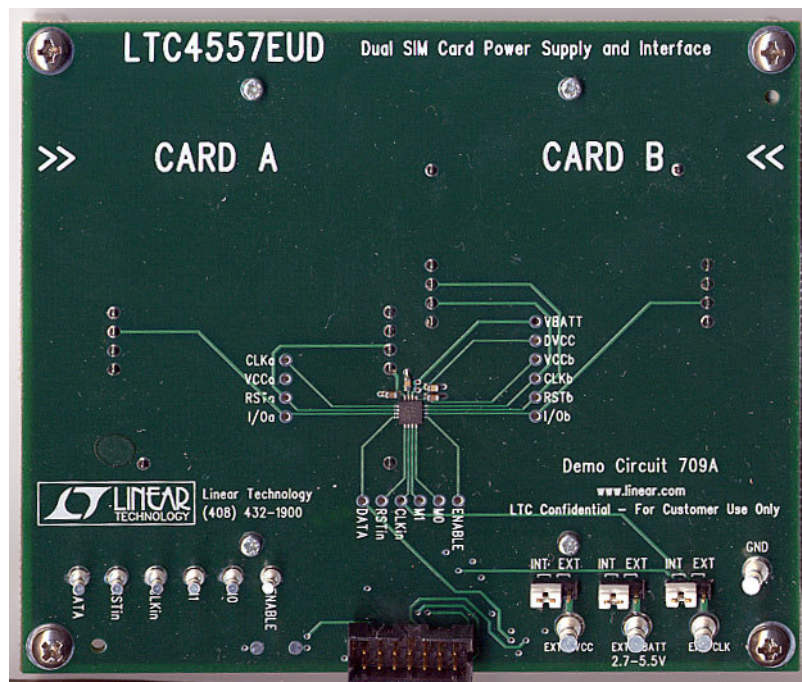
DESCRIPTION

The LTC[®]4557 provides power conversion and signal level translation needed for 2.5G and 3G cellular telephones to interface with 1.8V or 3V subscriber identity modules (SIMs). The part meets all requirements for 1.8V and 3V SIMs. The part contains LDO regulators to power 1.8V or 3V SIM cards from a 2.7V to 5.5V input. The output voltages can be set using the two voltage selection pins and up to 50mA of load current can be supplied. Internal level translators al-

low controllers operating with supplies as low as 1.2V to interface with 1.8V or 3V smart cards. Battery life is maximized by a low operating current of less than 100 μ A and a shutdown current of less than 1 μ A.

Design files for this circuit board are available. Call the LTC factory.

LTC is a trademark of Linear Technology Corporation



QUICK START PROCEDURE

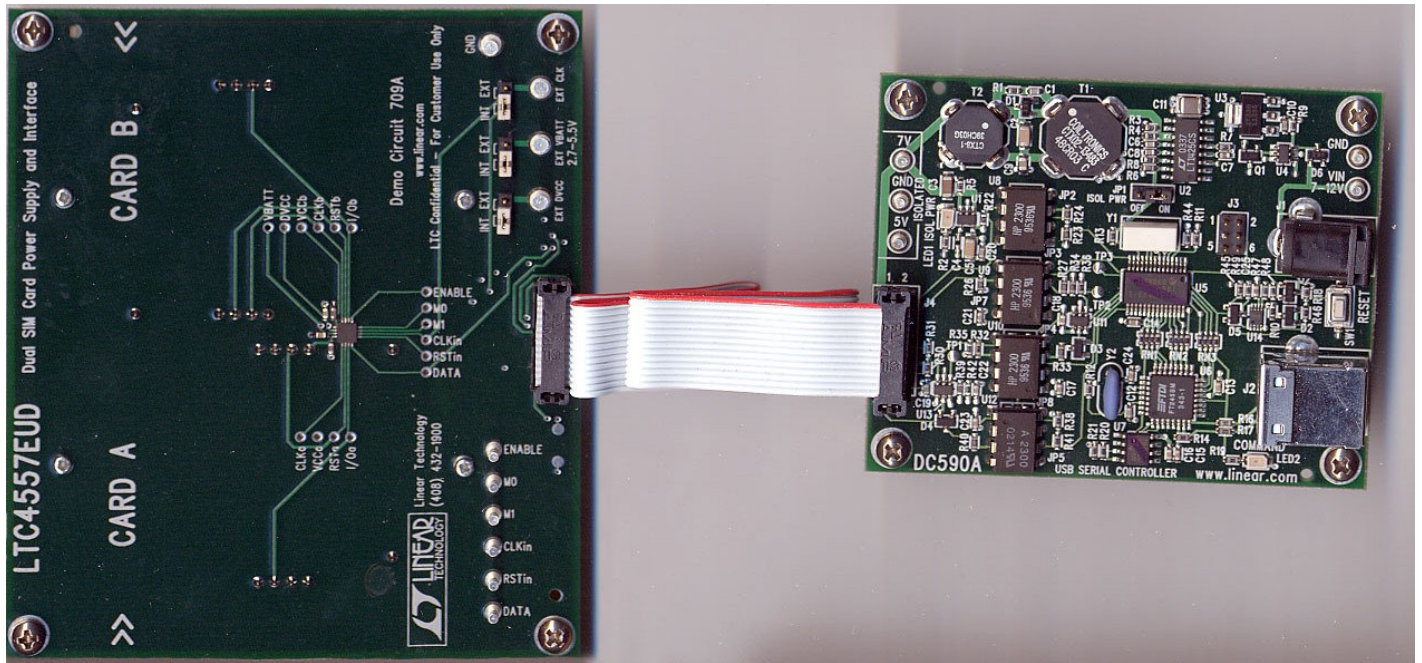
The QuickEval[™] (ltcqev.exe) software can be run from the supplied CD-ROM or by downloading it from www.linear.com. Follow the DC590A Quick

Start Procedure for software installation instructions.

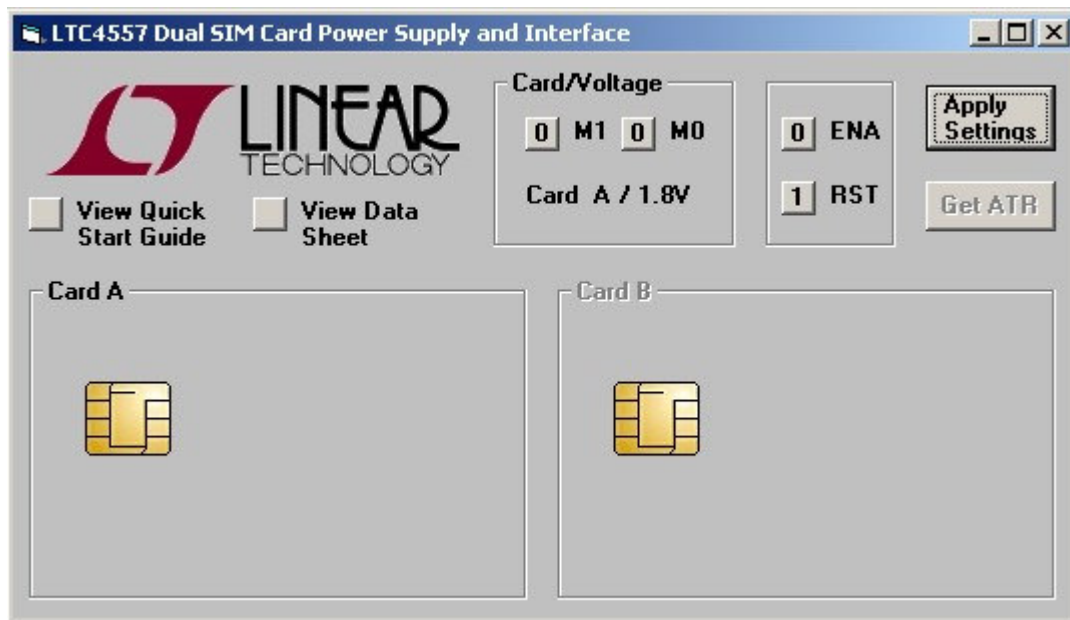
1. Plug the supplied USB cable into your computer and then into the DC590A controller board.
2. Run the ltcqev.exe program and the window below should appear.
3. Make certain that the three jumpers on the DC709 are set to "INT."
4. Attach the Ribbon cable from the DC590A to the DC709. Pin 1 is identified on the ribbon cable by a red mark. See photo below.

QUICK START GUIDE FOR DEMONSTRATION CIRCUIT 709

DUAL SIM/SMART CARD POWER SUPPLY AND INTERFACE



5. The QuickEval™ software will detect the DC709 and load the LTC4557 program (shown on page 3).



RUNNING THE APPLICATION

The program consists of an enable button (**ENA**) used to bring the part out of shutdown, mode control buttons to select the desired channel and voltage level, a reset button (**RST**), a button to apply the selected settings and a button to request an Answer-To-Reset (ATR).

Card/Voltage – These buttons are used to select the desired card socket and voltage level. The following table lists the **M1** and **M0** values and their resulting card and voltage settings:

M1	M0	Selected
0	0	Card A/1.8V
0	1	Card A/3V
1	0	Card B/1.8V
1	1	Card B/3V

ENA – This button brings the LTC4557 out of shutdown mode. The selected card socket will be powered per the startup sequence when **ENA** is set to “1” and the **Apply Settings** button is pressed.

RST – Setting this button to “1” will send a reset signal to the selected card socket when the **Apply Settings** button is pressed.

Apply Settings – This button will set the inputs to the LTC4557 to the values selected by the **M0**, **M1**, **ENA** and **RST** pins. The values sent to the LTC4557 will not change until this button is pressed.

Get ATR – Pressing this button will send a reset to the selected card socket, and display the ATR in the box representing the selected card. This button is independent of the **RST** button and does not require **RST** to be set to “1.” A valid card must be inserted into the card socket for an ATR to be displayed.

STANDALONE OPERATION

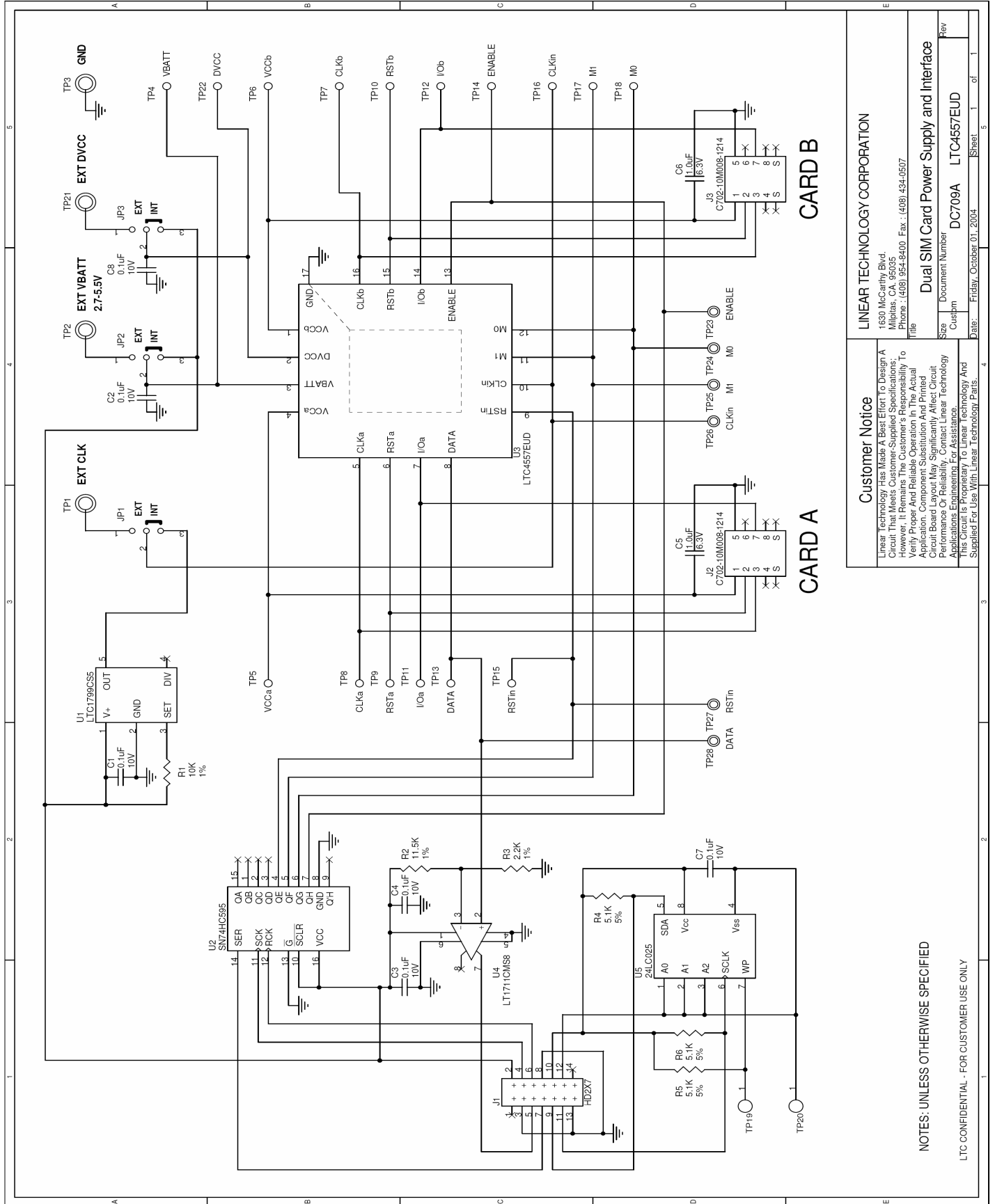
The DC709 may be used independently of the DC590A. This is particularly useful for evaluation of the LTC4557’s electrical specifications and activation/deactivation sequences. The LTC4557 demo program cannot be used without the DC590A in this mode, however.

To use the DC709 as a standalone evaluation board, set the three jumpers on the board to “**EXT**.” This will enable the user to power the circuit via the power supply terminals. Connect a power supply to the **EXT VBATT**, **EXT DVCC** and **GND** terminals on the board.

An external clock signal may be applied to the **EXT CLK** terminal. **M1**, **M0**, **ENABLE** and **RSTIN** may be set by supplying signals directly to the testpoints on the board.

QUICK START GUIDE FOR DEMONSTRATION CIRCUIT 709

DUAL SIM/SMART CARD POWER SUPPLY AND INTERFACE



Customer Notice		LINEAR TECHNOLOGY CORPORATION	
Linear Technology Has Made A Best Effort To Design A Circuit That Meets Customer-Supplied Specifications. However, It Remains The Customer's Responsibility To Verify Proper And Reliable Operation In The Actual Application. Component Substitution And Printed Circuit Assembly May Affect Circuit Performance Or Reliability. Contact Linear Technology Applications Engineering For Assistance.			
1630 McCarthy Blvd. Milpitas, CA, 95035 Phone: (408) 954-8400 Fax: (408) 954-0507		Title	
Size	Document Number	DC709A	LTC4557EUD
Custom	Customer		Rev
Date:	Friday, October 01, 2004	Sheet	1 of 1

NOTES: UNLESS OTHERWISE SPECIFIED
LTC CONFIDENTIAL - FOR CUSTOMER USE ONLY