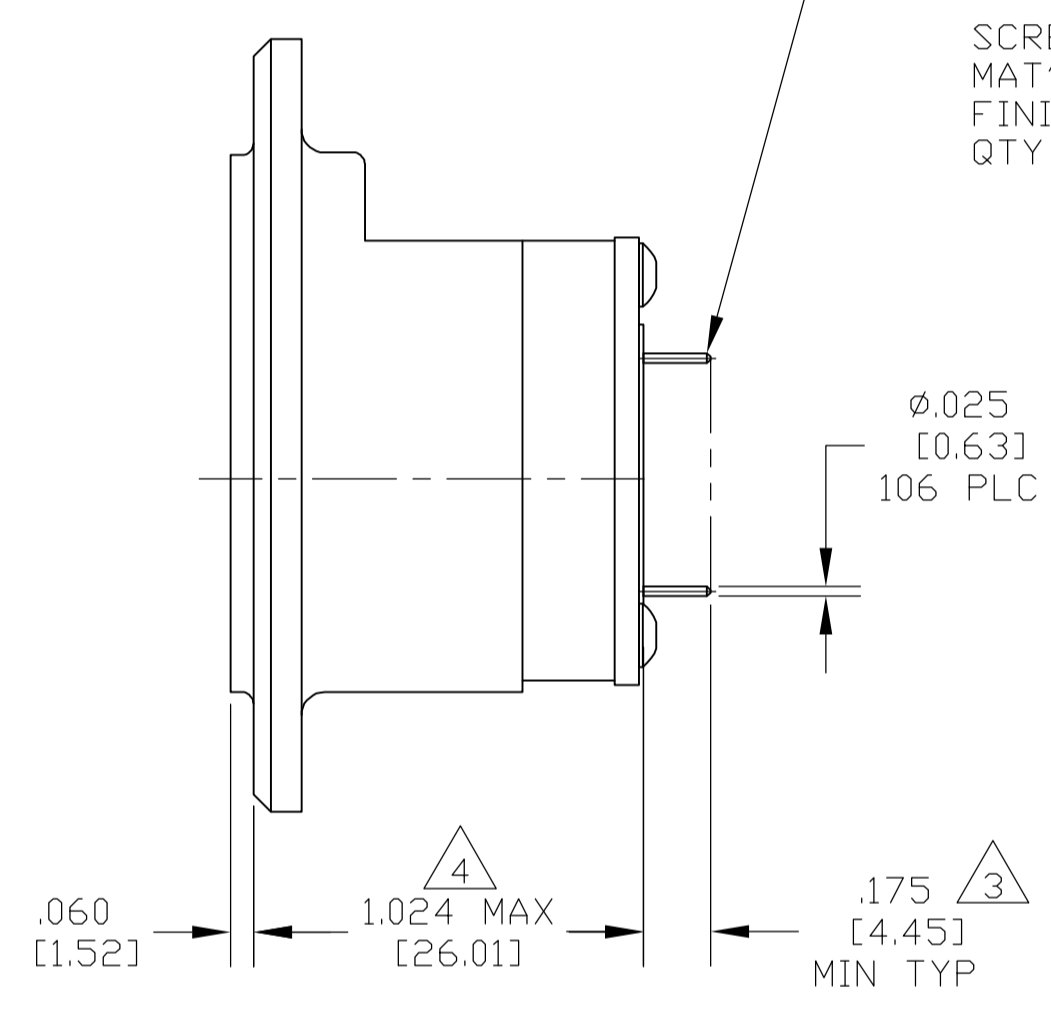
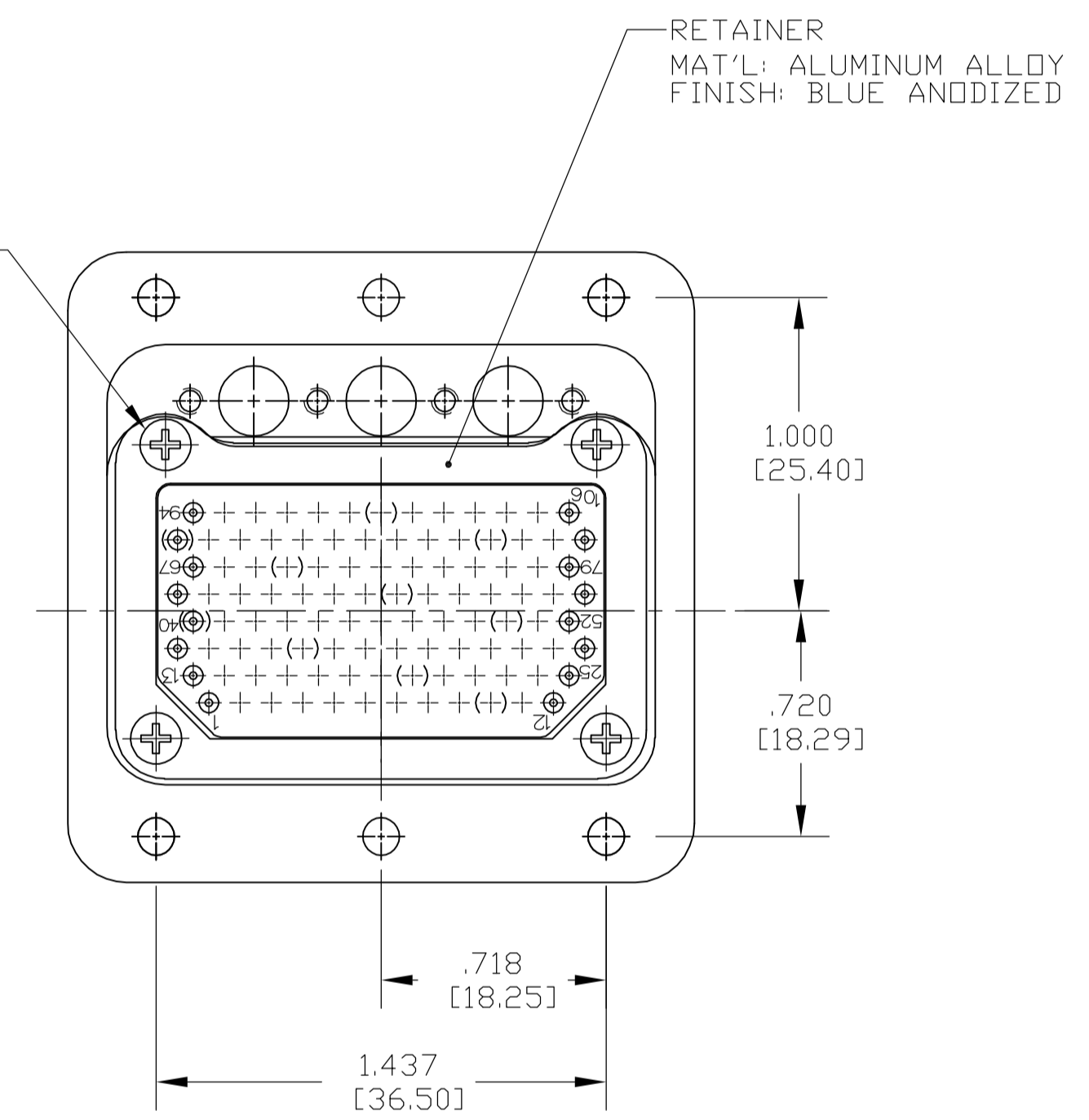


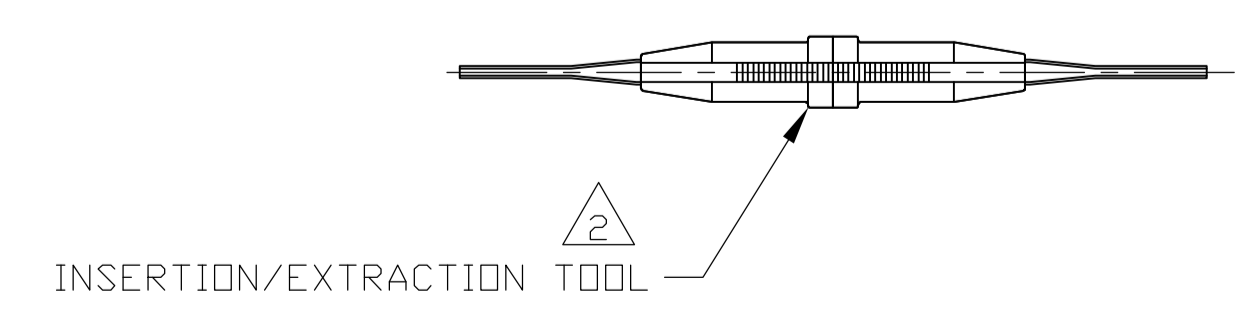
SIZE 22 POSTED SOCKET CONTACT
 BODY MAT'L: COPPER ALLOY
 FINISH: GOLD PLATED PER ASTM-B-488
 OVER NICKEL PER QQ-N-290
 HOOD MAT'L: STAINLESS STEEL
 FINISH: PASSIVATED



SCREW & LOCKWASHER
 MAT'L: STAINLESS STEEL
 FINISH: PASSIVATED
 QTY = 4



- KEYING HARDWARE IS PACKAGED SEPARATELY AND SHIPPED WITH CONNECTOR.
- INSERT/EXTRACTION TOOL IS SHIPPED WITH CONNECTOR IN A SEPARATE CONTAINER.
- WHEN MEASURED FROM REAR OF INSERT.
- WHEN MEASURED TO REAR OF INSERT.



1883437-1
 PART NUMBER

THIS DRAWING IS A CONTROLLED DOCUMENT.		DWG C.C.THOMAS	8-2-06	Tyco Electronics Corporation Harrisburg, PA 17105-3608	
DIMENSIONS: INCHES [mm]		CHK D.FABY	8-2-06	NAME RCPT ASSY,ARINC 404,RM1R106S-00 (PCB)	
TOLERANCES UNLESS OTHERWISE SPECIFIED:		APP'D D.FABY	8-2-06	PRODUCT SPEC	
0 PLC ± -		APPLICATION SPEC		SIZE A1	
1 PLC ± -		RESTRICTED TO		CAGE CODE 00779	
2 PLC ± -		WEIGHT		DRAWING NO. 1883437	
3 PLC ± .005 [0.13]		CUSTOMER DRAWING		SCALE 2:1	
4 PLC ANGLES ± -		SHEET 1 OF 1		REV A	