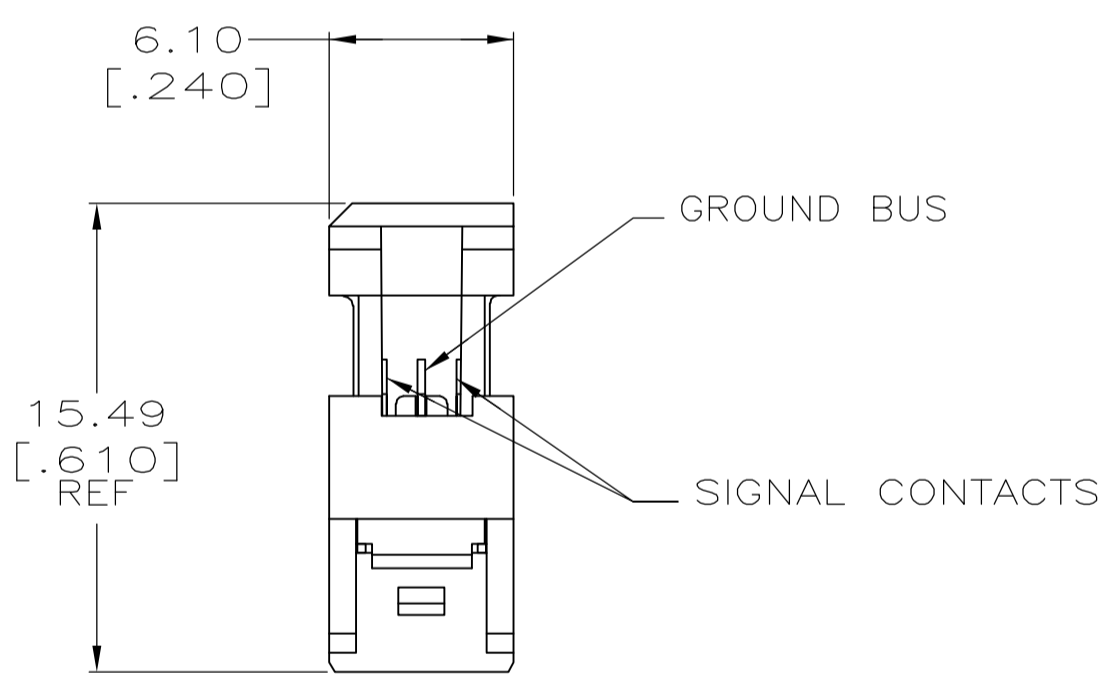
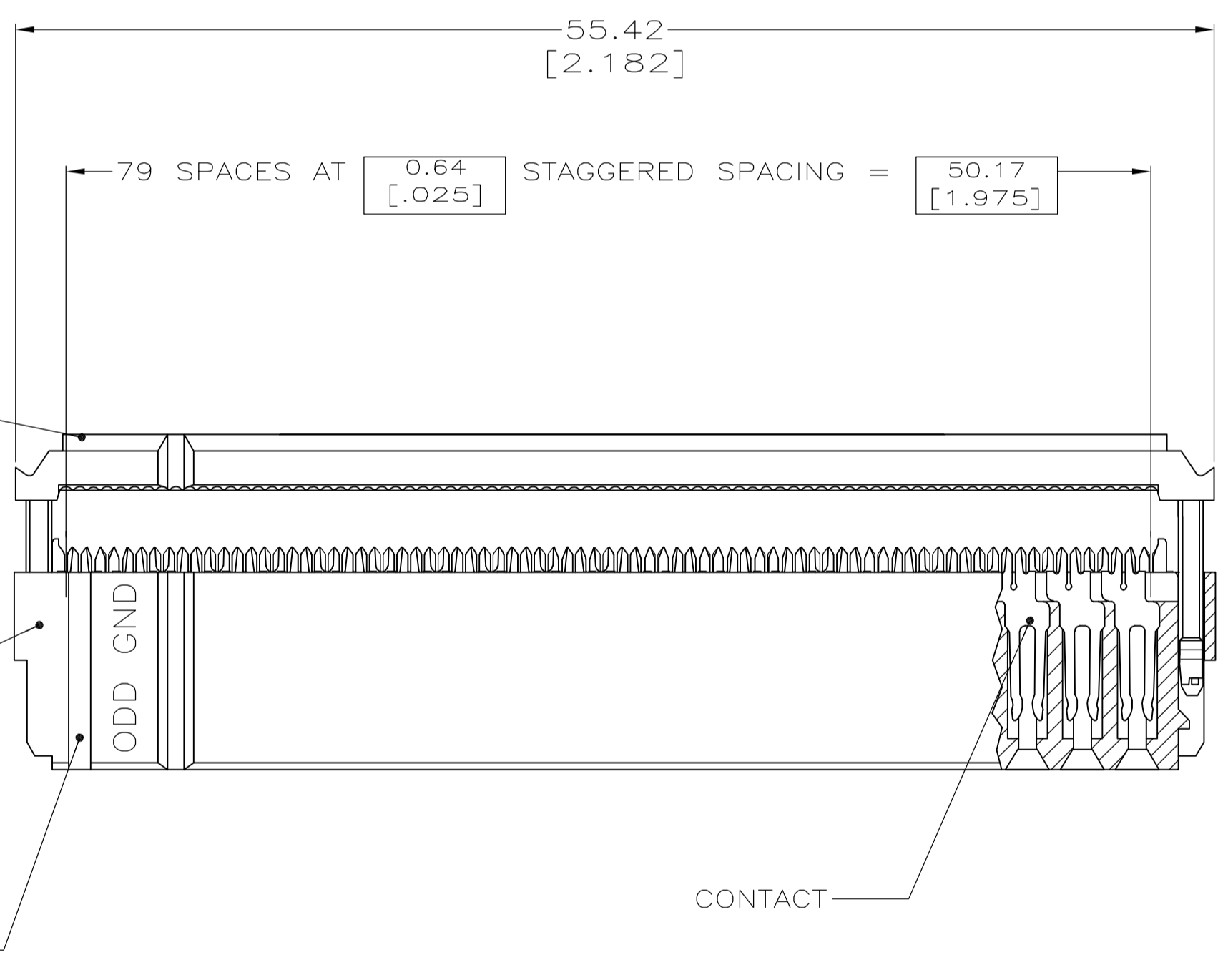
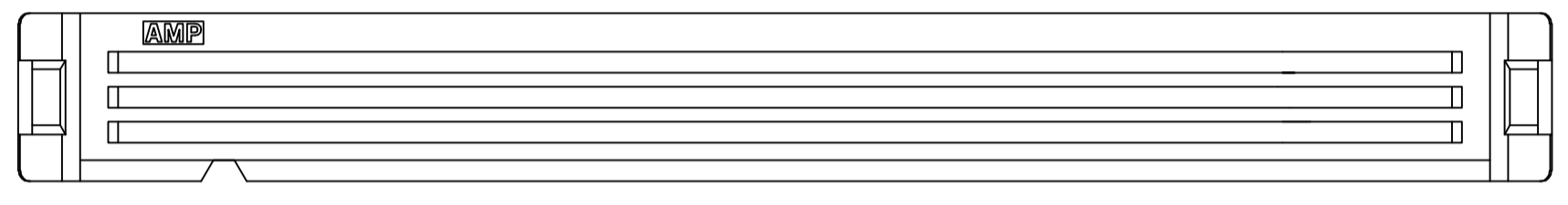
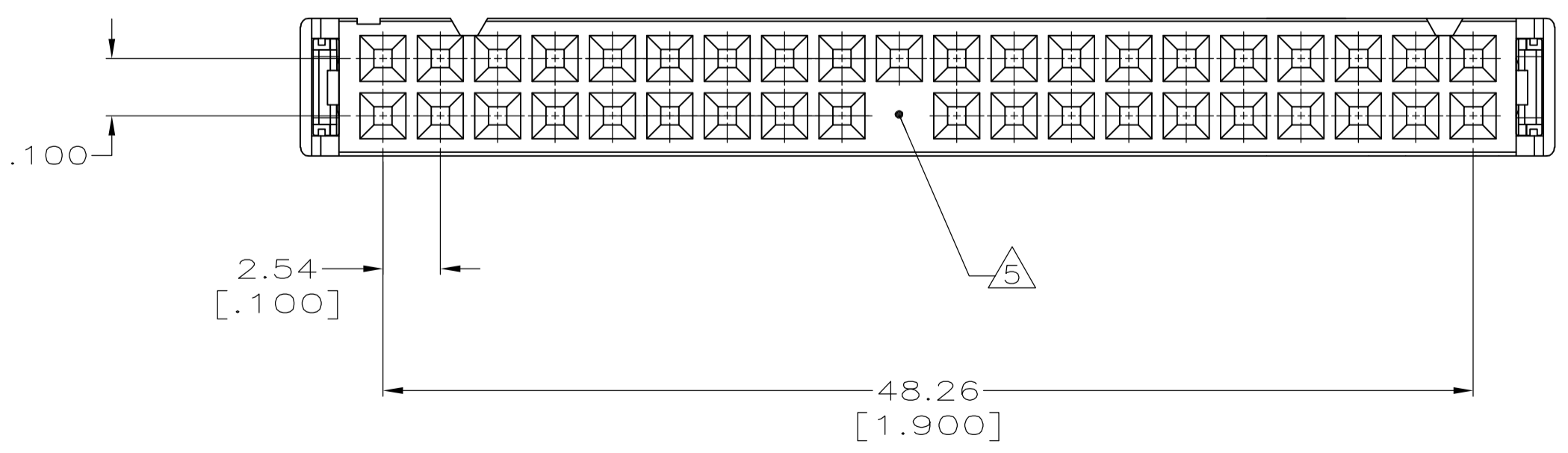


TERMINATED VIEW



- ⚠ HOUSING: THERMOPLASTIC, UL 94V-0 RATED, SEE TABLE.
COVER: THERMOPLASTIC, UL 94V-0 RATED, BLACK.
CONTACTS: PHOSPHOR BRONZE PER QQ-B-750.
- ⚠ CONTACTS: 0.38μm[.000015] MIN GOLD ON LOCALIZED PLATE AREA, 1.27μm[.000050] MIN TIN ON TERMINATION END, ALL OVER 1.27μm[.000050] MIN NICKEL ON ENTIRE CONTACT.
- ⚠ CONTACT 34 GROUNDED.
- ⚠ NO CONTACT AT POSITION 28.
- ⚠ MOLDED KEYING AT CONTACT 20.
- ⚠ NO GAP ALLOWED BETWEEN COVER AND HOUSING AT TERMINATION. .012 MAX GAP AT ANY OTHER TIME AFTER TERMINATION.
- 7. ALL ODD CABLE CONDUCTORS TERMINATE DIRECTLY TO THE GROUND BUS IN ALL CONNECTORS.
- 8. ALL EVEN CABLE CONDUCTORS TERMINATE TO CONNECTOR CONTACT NUMBERS USING THE FOLLOWING FORMULA: CABLE CONDUCTOR "X" TERMINATES TO CONNECTOR CONTACT NUMBER X/2. EXAMPLE: CABLE CONDUCTOR 46 TERMINATES TO CONNECTOR CONTACT NUMBER 23 (46/2).
- 9. EXCEPTIONS TO NOTE 8 AND DIFFERENCES BETWEEN CONNECTORS ARE SHOWN IN THE TABLE BELOW.

CABLE CONDUCTOR #	CABLE CONDUCTOR # SHOWN CONNECTS TO:		
	BLUE CONNECTOR CONTACT #	BLACK CONNECTOR CONTACT #	GRAY CONNECTOR CONTACT #
4	2 & GROUND BUS	2 & GROUND BUS	2 & GROUND BUS
38	19 & GROUND BUS	19 & GROUND BUS	19 & GROUND BUS
44	22 & GROUND BUS	22 & GROUND BUS	22 & GROUND BUS
48	24 & GROUND BUS	24 & GROUND BUS	24 & GROUND BUS
52	26 & GROUND BUS	26 & GROUND BUS	26 & GROUND BUS
56	28	28	NC (OPEN)
60	30 & GROUND BUS	30 & GROUND BUS	30 & GROUND BUS
68	34 & GROUND BUS	34	34
80	40 & GROUND BUS	40 & GROUND BUS	40 & GROUND BUS



DEVICE(1) SLAVE	GRAY	⚠ 4	1658618-3
SYSTEMS BOARD	BLUE	⚠ 3	1658618-2
DEVICE(O) PRIMARY	BLACK		1658618-1
CONNECTOR TYPE	HOUSING COLOR	PART NUMBER	

THIS DRAWING IS A CONTROLLED DOCUMENT.

DIMENSIONS: mm [INCHES]	TOLERANCES UNLESS OTHERWISE SPECIFIED:	0 PLC ± -	1 PLC ± -	2 PLC ± 0.08 [.003]	3 PLC ± -	4 PLC ± -	ANGLES ± -	FINISH
APPROVED: M. WALMSLEY		CHECKED: C. ROHDE		DESIGNED: R. SAMICK		DRAWN: C. ROHDE		
MATERIAL		WEIGHT		SIZE		CAGE CODE		DRAWING NO
CUSTOMER DRAWING		SCALE 4:1		SHEET 1 OF 1		REV A		RESTRICTED TO

tyco Electronics Tyco Electronics Corporation Harrisburg, PA 17105-3608

NAME: RECEPTACLE ASSY, 40 POS, 80 POS CABLE, MILITARY POLARIZATION, LEAD FREE, AMP-LATCH™ ULTRA NOVO

PRODUCT SPEC: 108-1740

APPLICATION SPEC: 114-40056

SIZE: A1

WEIGHT: -

CAGE CODE: 00779

DRAWING NO: 1658618