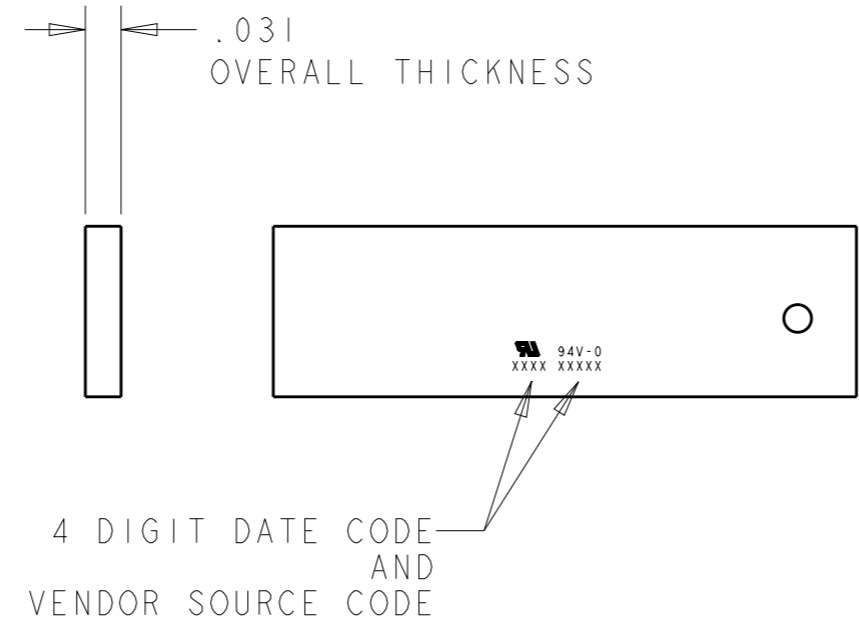
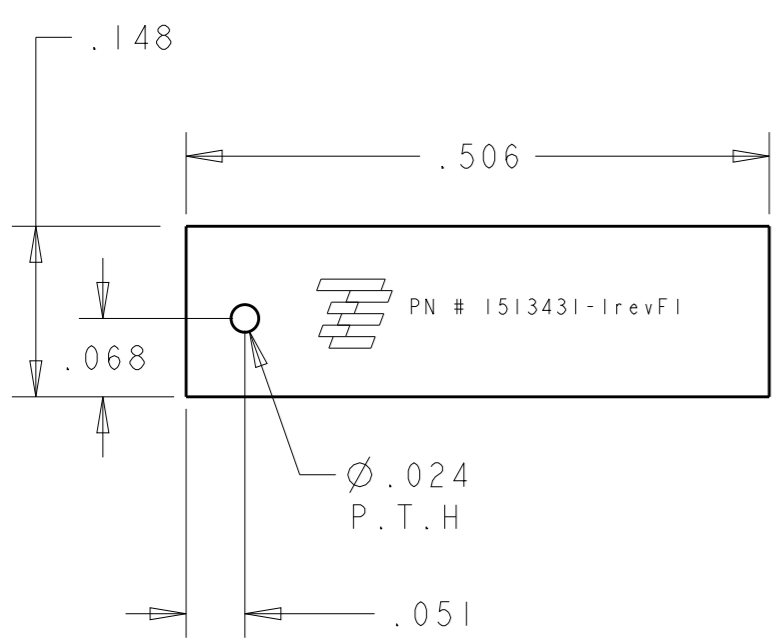


THIS DRAWING IS UNPUBLISHED. RELEASED FOR PUBLICATION 20
 © COPYRIGHT 20 BY TYCO ELECTRONICS CORPORATION. ALL RIGHTS RESERVED.

LOC	DIST	REVISIONS			
P	LTR	DESCRIPTION	DATE	DWN	APVD
	E	REV. NOTES, DIMS. AND LAYOUTS	17NOV2009	DW	GG
	F	REV PER ECO-09-027569	11DEC2009	DW	GG
	F1	REV PER ECO 12-016455	13SEP2012	DW	GG



1513431-2 AS SHOWN

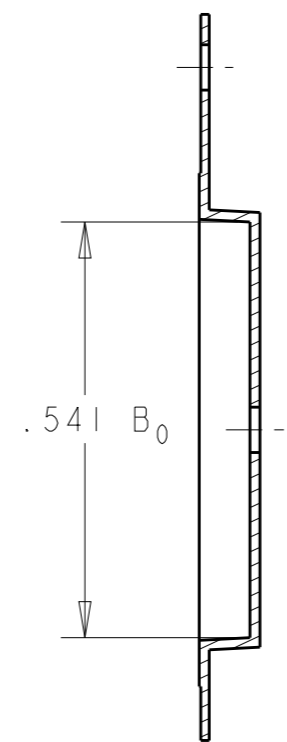
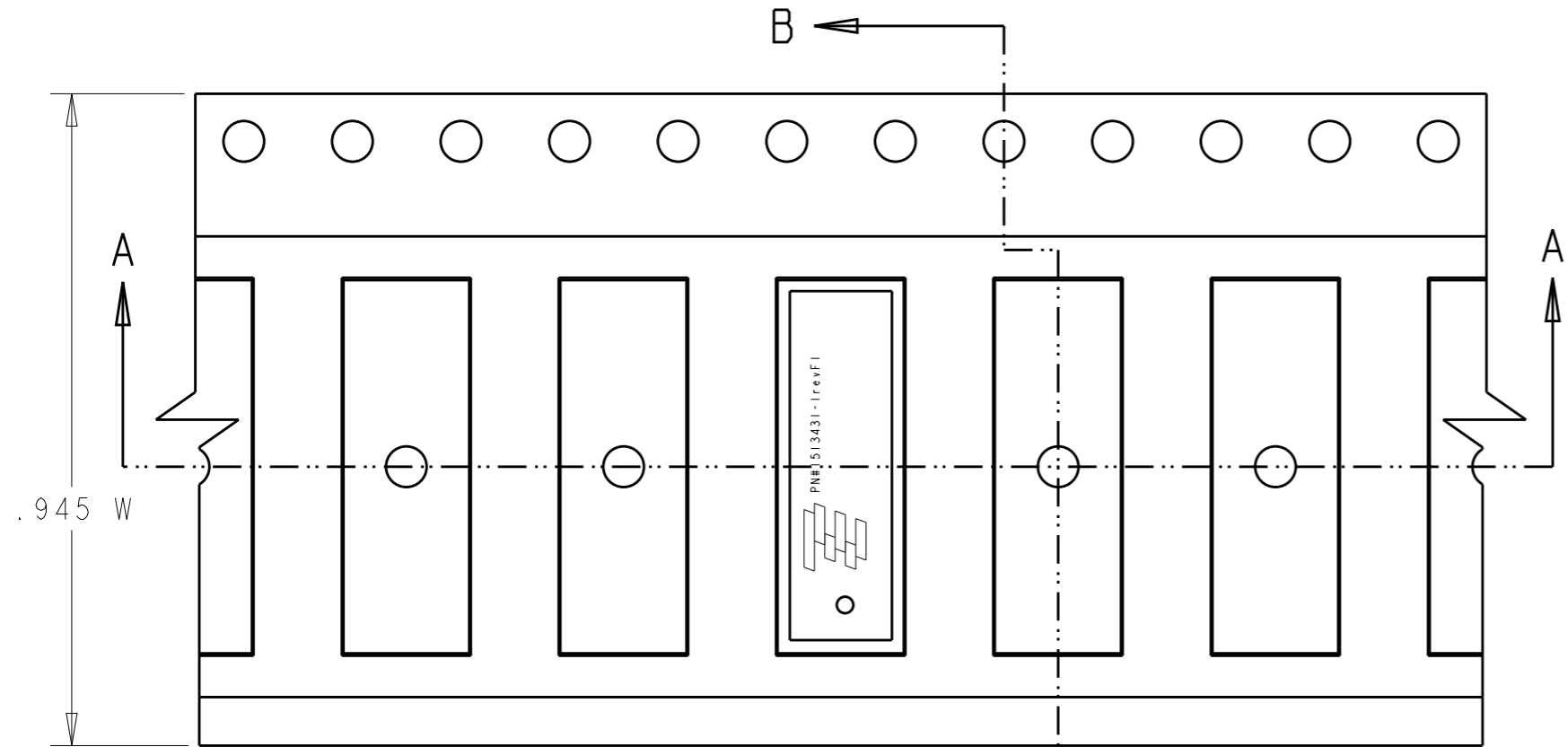
- NOTES: UNLESS OTHERWISE SPECIFIED.
- FABRICATE TO MEET IPC - 6012, CLASS 2. INSPECT TO MEET IPC - A - 600, CLASS 2.
 - PRIMARY AND SECONDARY SIDES SHOWN.
 - MATERIAL : GETEK 4 PLY (7628) .028 THK. P/N ML200D, 1/2 OZ. COPPER BOTH SIDES. DIELECTRIC CONSTANT @ 1MHz 4.2 ± 0.1.
 - FINISH:
 A: 1/2 Oz COPPER PLATING.
 B: SOLDERMASK OVER BARE COPPER (SMOBC).
 C: MASK BOTH SIDES OF PCB WITH LPI SOLDERMASK. SOLDERMASK COLOR: NATURAL GREEN.
 D: IMMERSION TIN PLATING
 - THREE PLACE TOLERANCES: ±.009
 - PACKAGING: SINGULATED PARTS TO BE SECURELY SHRINK WRAPPED, BAGGED OR VACUUM PACKED IN BULK FOR TAPE AND REEL, SEE SHEET 2
 - PARTS ARE COMPLIANT TO ROHS STANDARDS PER TYCO ELECTRONICS STANDARD TEC-138-702.
 - CONSULT TYCO ELECTRONICS DATA SHEET DSI513431
 - CONTACT TYCO ELECTRONICS ENGINEERING PRIOR TO DESIGNING INTO AN APPLICATION

FOR TAPE AND REEL PACKAGING, ORDER P/N 1513431-1
 FOR BULK PACKAGING, ORDER P/N 1513431-2

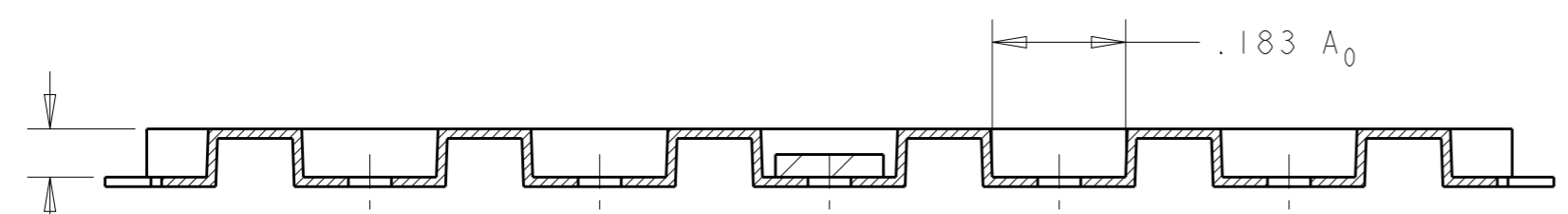
<small>THIS DRAWING IS A CONTROLLED DOCUMENT FOR TYCO ELECTRONICS CORPORATION. IT IS SUBJECT TO CHANGE AND THE CONTROLLING ENGINEERING ORGANIZATION SHOULD BE CONTACTED FOR THE LATEST REVISION.</small>		DWN	19DEC2007		Tyco Electronics Rochester, New York 14623	
DIMENSIONS: INCHES 		CHK	-			NAME 802.11b Diversity Antenna Fabrication Drawing
TOLERANCES UNLESS OTHERWISE SPECIFIED: 0 PLC ±- 1 PLC ±- 2 PLC ±- 3 PLC ±- 4 PLC ±- ANGLES ±-		APVD	-		SIZE A3	
MATERIAL -		PRODUCT SPEC	-		CAGE CODE	00779
FINISH -		APPLICATION SPEC	-		DRAWING NO	1513431
		WEIGHT	-		RESTRICTED TO	-
		CUSTOMER DRAWING			SCALE	1:1
					SHEET	1 OF 2
					REV	F1

THIS DRAWING IS UNPUBLISHED. RELEASED FOR PUBLICATION 20
 © COPYRIGHT 20 BY TYCO ELECTRONICS CORPORATION. ALL RIGHTS RESERVED.

LOC	DIST	REVISIONS			
P	LTR	DESCRIPTION	DATE	DWN	APVD
HQ	00	-	SEE SHEET 1	-	-



SECTION B-B



SECTION A-A

1513431-1 AS SHOWN

- NOTES: UNLESS OTHERWISE SPECIFIED.
- REFER TO TYCO ELECTRONICS DRAWING NO. C-1513126 FOR TAPE SPECIFIC DIMENSIONS
 - PARTS ARE COMPLIANT TO RoHS STANDARDS PER TYCO ELECTRONICS STANDARD TEC-138-702

THIS DRAWING IS A CONTROLLED DOCUMENT FOR TYCO ELECTRONICS CORPORATION. IT IS SUBJECT TO CHANGE AND THE CONTROLLING ENGINEERING ORGANIZATION SHOULD BE CONTACTED FOR THE LATEST REVISION.		DWN	19DEC2007		Tyco Electronics Rochester, New York 14623				
DIMENSIONS: INCHES		CHK	-						
		APVD	-		NAME 802.11b Diversity Antenna Fabrication Drawing				
TOLERANCES UNLESS OTHERWISE SPECIFIED:		PRODUCT SPEC	-						
0 PLC ±-		APPLICATION SPEC	-		SIZE	CAGE CODE	DRAWING NO	RESTRICTED TO	
1 PLC ±-		WEIGHT	-		A3	00779	C-1513431	-	
2 PLC ±-		CUSTOMER DRAWING		SCALE	4:1	SHEET	2 OF 2	REV	F1
3 PLC ±-									
4 PLC ±-									
ANGLES ±-									
MATERIAL -									
FINISH -									