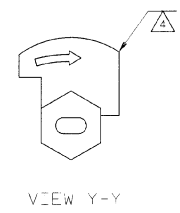
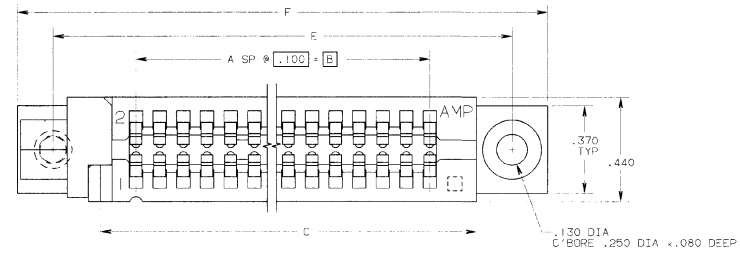
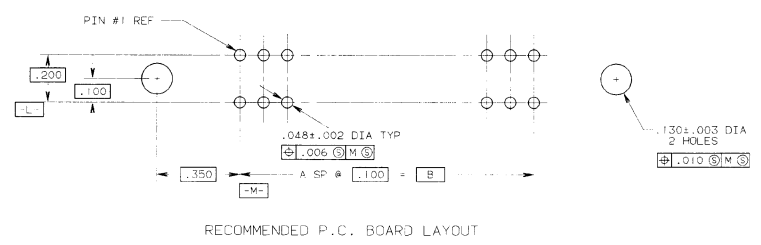
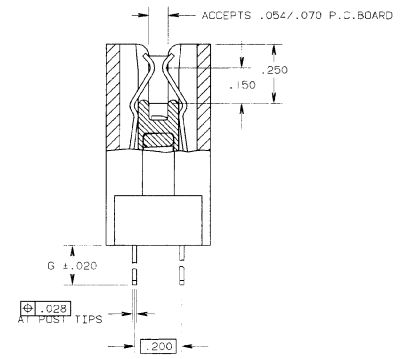
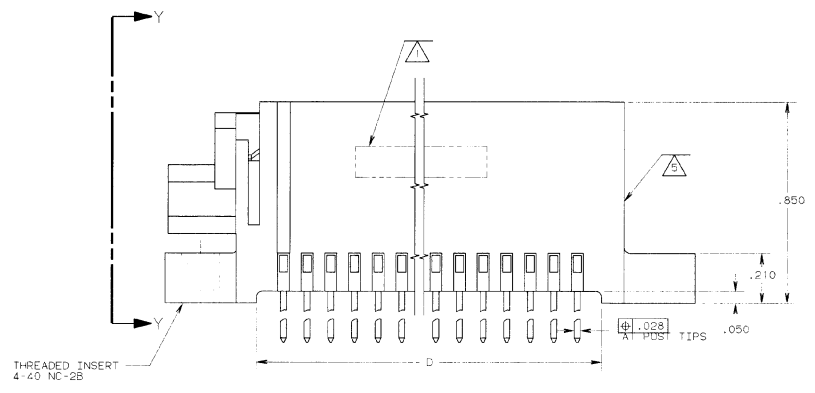


THIS DRAWING IS UNPUBLISHED. RELEASED FOR PUBLICATION. PUB DATE . 19
 © COPYRIGHT 91R BY AMP INCORPORATED, HARRISBURG, PA. ALL INTERNATIONAL RIGHTS RESERVED. AMP PRODUCTS MAY BE COVERED BY U.S. AND FOREIGN PATENTS AND/OR PATENTS PENDING.

LOC	DIST	P	F	ZONE	LTR	DESCRIPTION	DATE	APPD
AD	174			B		REDESIGN & REDRAW FOR AD2835	2/13/85	DC
				C		REVISED PER AD4760	10/90	CP



- △ PART NUMBER AND DATE CODE STAMPED IN THIS AREA ON EITHER SIDE.
- △ CONTACT: COPPER ALLOY
HOUSING: GLASS FILLED POLYESTER 94 V0, COLOR-BLACK
CAM ROD: STAINLESS STEEL
BOARD LOCK: GLASS FILLED NYLON, COLOR-BLACK
INSERT: BRASS
- △ CONTACT: .000030 GOLD SELECTIVE PLATED IN CONTACT AREA IN LEAD PLATE .000100 MINIMUM THICKNESS ON POST TIPS, OVER NICKEL UNDER PLATE .000050 MINIMUM THICKNESS ALL OVER
- △ CAM ROD AND BOARD LOCK SHIPPED WITH EACH CONNECTOR. ROTATE IN DIRECTION OF ARROW TO OPEN.
- △ CAM ROD MAY NOT EXTEND BEYOND HOUSING SURFACE.



		.160	3.400	3.100	2.600	2.800	2.400	24	25/50	650019-1	
		G	F	E	D	C	B	A	POSITION	PART NO	
UNLESS OTHERWISE SPECIFIED DIMENSIONS ARE IN INCHES TOLERANCES ON: 2 PL DEC + 3 PL DEC + .010 ANGLES ±	DR: K. NOLT 3/13/85 CHK: D. GORENC 3/13/85 APPD: D. GORENC 3/13/85	AMP								AMP INCORPORATED Harrisburg, Pa. 17105	
MATERIAL	NAME: D. GORENC 3/13/85	ROTARY ZIF ASSEMBLY .100 x .200, SOLDER POST, OPEN BOTH ENDS									
FINISH	PRODUCT SPEC: 106-9048 APPLICATION SPEC:	SIZE: D	PSCM NO: 00779	DRAWING NO: 650019				SHEET 1 OF 1			
HEIGHT		SCALE: 4:1									

CUSTOMER DRAWING