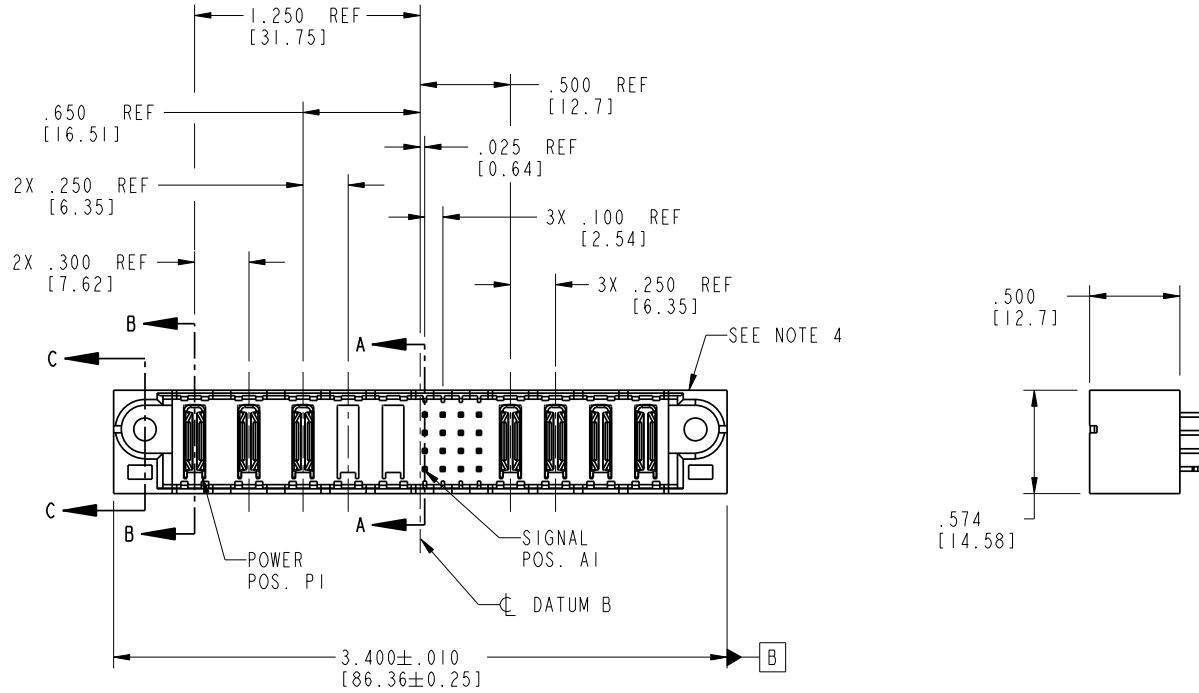


Tous droits strictement réservés. Reproduction ou communication à des tiers interdite sous quelque forme que ce soit sans autorisation écrite du propriétaire. Propriété de c FCI. Droits de reproduction FCI.



All rights strictly reserved. Reproduction or issue to third parties in any form without written authority from the proprietor. Property of FCI. Copyright FCI.

PRODUCT NO.	ROWS	POWER					SIGNAL				POWER				E2	
		E1	P1	P2	P3	P4	P5	1	2	3	4	P6	P7	P8		P9
51952-009-- NOTE 3	0 UBA		PA	PA	PA	X	X					PA	PA	PA	PA	



CODE	DIM "M" MATING LENGTH	CONTACT TYPE
E	.270 [6.86]	SIGNAL
PA	N/A [N/A]	POWER
HA	N/A [N/A]	HOLD-DOWN
X	OMITTED	OMITTED

mat'l code				tolerances unless otherwise specified		CUSTOMER	
SEE NOTE 2						COPY	
lir	ecn no.	dr	date	linear	projection	title	
A	V21382	CGD	08/26/02	.XX±.01/0.X±0.3		3ACP + 2P + 16S + 4P VERT. SOLDER HEADER	
B	DG05-0472	Ryan	11/17/05	.XXX±.005/0.XX±0.13		product family PwrBlade code 213	
				.XXX±.002/0.XXX±0.051		size dwg no 51952-009	
				angles 0°±2°	INCH/MM	sheet 1 of 4	
				dr C. DAILY 08/26/02	scale 1:1		
				enr M. MOSTOLLER 08/26/02			
				chr M. MOSTOLLER 08/26/02			
				appd M. MOSTOLLER 08/26/02			
sheet index	revision	B	B	B	B		
	sheet	1	2	3	4		

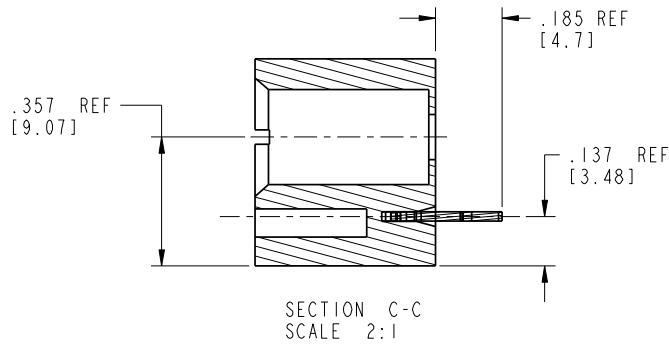
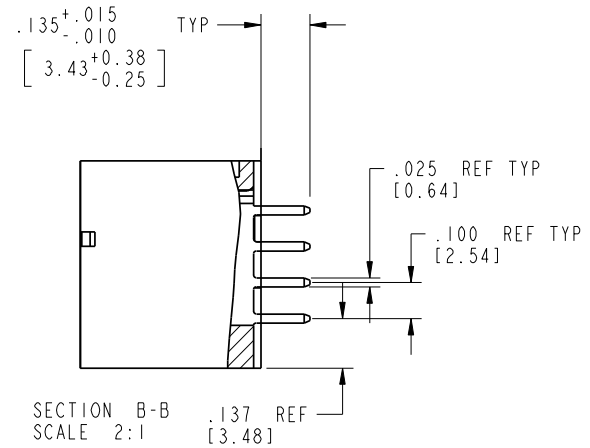
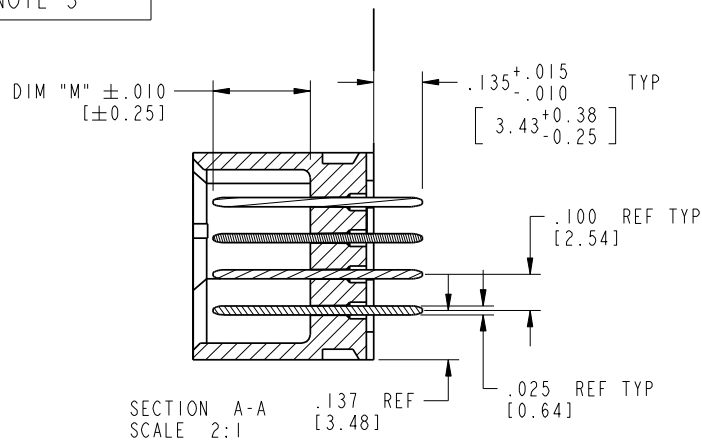
		www.fciconnect.com	
product family PwrBlade code 213			
size dwg no		51952-009	
sheet 1 of 4			
cage code		22526	

Pro/E

Tous droits strictement reserves. Reproduction ou communication a des tiers interdite sous quelque forme que ce soit sans autorisation écrite du propriétaire. Propriete de c FCI. Droits de reproduction FCI.

All rights strictly reserved. Reproduction or issue to third parties in any form whatever is not permitted without written authority from the proprietor. Property of FCI. Copyright FCI.

PRODUCT NUMBER
51952-009--
NOTE 3



mat'l code SEE NOTE 2				tolerances unless otherwise specified		CUSTOMER		FCI www.fciconnect.com	
lir	ecr no.	dr	date	linear	.XX±.01/0.X±0.3	COPY		projection	
B					.XXX±.005/0.XX±0.13	INCH/MM		title 3ACP + 2P + 16S + 4P VERT. SOLDER HEADER	
				angles	.XXX±.002/0.XXX±0.051	scale 1:1		product family	PwrBlade
				dr	0° ± 2°	A		size	213
				enr	C. DAILY 08/26/02			dwg no	51952-009
				chr	M. MOSTOLLER 08/26/02			sheet	2 of 4
				appd	M. MOSTOLLER 08/26/02				
sheet index	revision sheet								

code code 22526

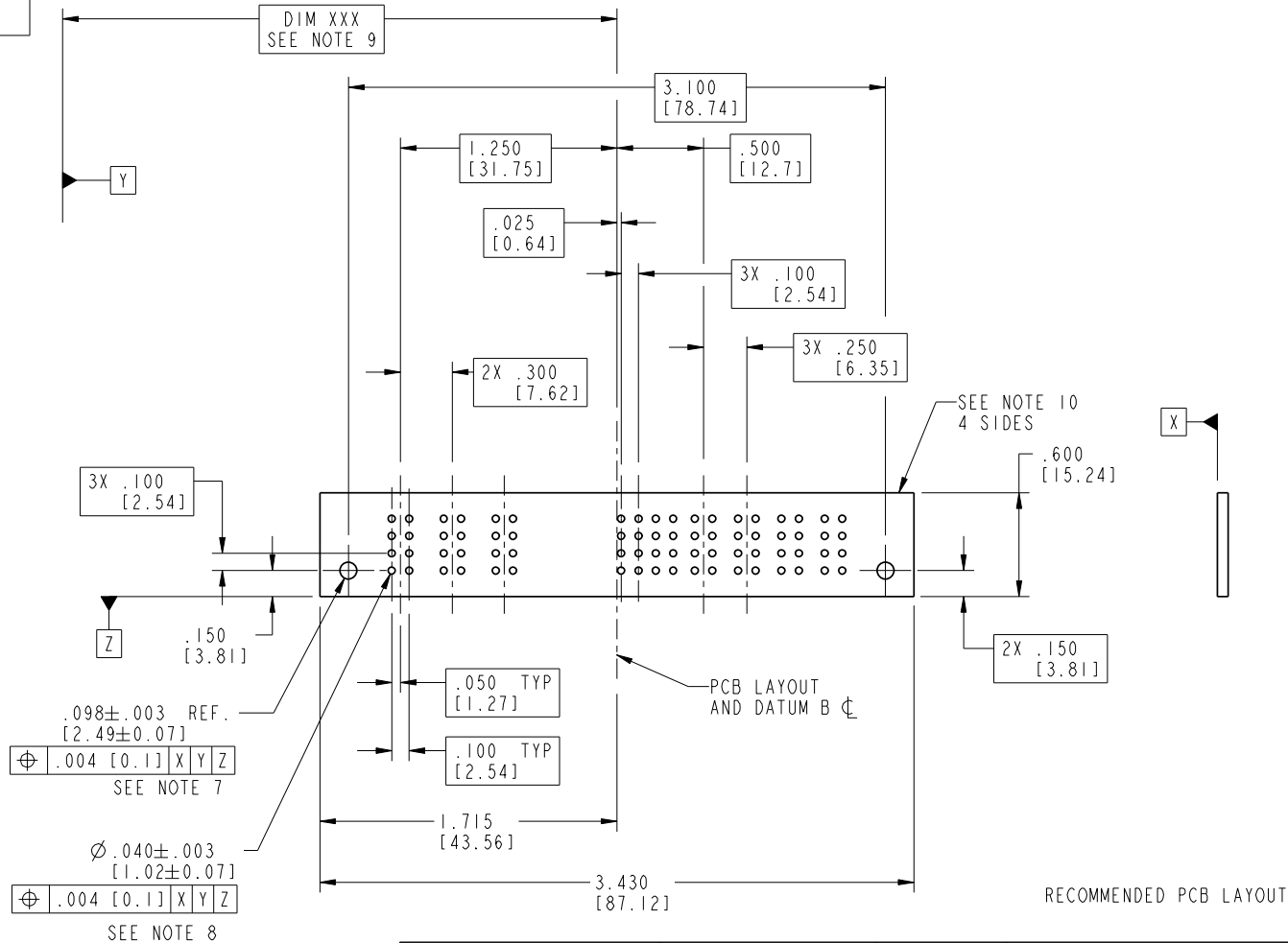
Pro/E

Tous droits strictement reserves. Reproduction ou communication a des tiers interdite sous quelque forme que ce soit sans autorisation écrite du propriétaire. Propriété de c FCI. Droits de reproduction FCI.



All rights strictly reserved. Reproduction or issue to third parties in any form without is not permitted without written authority from the proprietor. Property of FCI. Copyright FCI.

PRODUCT NUMBER
51952-009--
NOTE 3



mat'l code		SEE NOTE 2		tolerances unless otherwise specified		CUSTOMER		 www.fciconnect.com	
lir	ecr no.	dr	date	linear	.XX±.01/0.X±0.3	COPY		projection	title
B					.XXX±.005/0.XX±0.13				3ACP + 2P + 16S + 4P VERT. SOLDER HEADER
				angles	.XXX±.002/0.XXX±0.051				product family
				dr	0°±2°	INCH/MM			PwrBlade
				engr	C. DAILY 08/26/02	scale			code
				chr	M. MOSTOLLER 08/26/02	1:1			213
				appd	M. MOSTOLLER 08/26/02			size	sheet
sheet index	revision							dwg no	3 of 4
	sheet							51952-009	

RECOMMENDED PCB LAYOUT

cage code 22526

Pro/E

Tous droits strictement réservés. Reproduction ou communication à des tiers interdite sans quelque forme que ce soit sans autorisation écrite du propriétaire. Propriété de c FCI. Droits de reproduction FCI.

A
FCI

All rights strictly reserved. Reproduction or issue to third parties in any form whatsoever is not permitted without written authority from the proprietor. Property of FCI. Copyright FCI.

B

1 | 2

3 |

4

PRODUCT NUMBER
51952-009__
NOTE 3

NOTES:

1. DIMENSIONS AND TOLERANCES ARE IN ACCORDANCE WITH ASME Y14.5M, 1994 UNLESS OTHERWISE SPECIFIED.

CONNECTOR NOTES:

② HOUSING MATERIAL: UL 94 V-0 GLASS FILLED HIGH-TEMP THERMOPLASTIC

POWER CONTACT MATERIAL: COPPER ALLOY
SIGNAL PIN MATERIAL: COPPER ALLOY

3. PLATING:

51952-009: SIGNAL PIN: 30u"/0.76um Au OVER 50u"/1.27um Ni ON THE CONTACT AREA
AND 100u"/2.54um SnPb OVER 50u"/1.27um Ni ON THE TERMINATION AREA
POWER PIN: 30u"/0.76um Au OVER 50u"/1.27um Ni ON THE CONTACT AREA
AND 100u"/2.54um SnPb OVER 50u"/1.27um Ni ON THE TERMINATION AREA

51952-009LF: SIGNAL PIN: 30u"/0.76um Au OVER 50u"/1.27um Ni ON THE CONTACT AREA
AND 78u"/2.00um Sn OVER 50u"/1.27um Ni ON THE TERMINATION AREA
POWER PIN: 30u"/0.76um Au OVER 50u"/1.27um Ni ON THE CONTACT AREA
AND 78u"/2.00um Sn OVER 50u"/1.27um Ni ON THE TERMINATION AREA

PART NUMBER 51952-009LF MEETS EUROPEAN UNION DIRECTIVE AND OTHER COUNTRY REGULATIONS AS DESCRIBED IN GS-22-008.

THE HOUSING WILL WITHSTAND EXPOSURE TO 260° PEAK TEMPERATURE FOR 10 SECONDS IN A WAVE SOLDER APPLICATION WITH A CIRCUIT BOARD.

④ MANUFACTURER'S NAME, P/N, AND DATE CODE TO APPEAR ON THIS SURFACE.

5. PRODUCT SPECIFICATION GS-12-149.
APPLICATION SPECIFICATION BUS-20-067.

PCB NOTES:

6. ALL HOLE DIAMETERS ARE FINISHED HOLE SIZE.
7. MOUNTING HOLES, WHERE APPLICABLE, ARE UNPLATED.

⑧ $\varnothing .0453 \pm .0010$ [1.151 ± 0.025] DRILLED HOLES PLATED WITH
.0003 [0.008] MIN SnPb OVER .001 [0.03]
TO .003 [0.08] Cu PLATING TO ACHIEVE
 $\varnothing .040 \pm .003$ [1.02 ± .07] HOLE.

⑨ "DIM XXX" TO BE DETERMINED BY THE CUSTOMER.

⑩ CONNECTOR KEEP-OUT ZONE.

mat'l code		SEE NOTE 2		tolerances unless otherwise specified		CUSTOMER		A FCI		www.fciconnect.com	
lfr	ecm no.	dr	date	linear	.XX±.01/0.X±0.3	COPY		projection	title		
B					.XXX±.005/0.XX±0.13				3ACP + 2P + 16S + 4P		
				angles	.XXX±.002/0.XXX±0.051				VERT. SOLDER HEADER		
				dr	0° ± 2°	INCH/MM		product family	PwrBlade	code	213
				engr	C. DAILY 08/26/02	scale		size	dwg no	sheet	4 of 4
				chr	M. MOSTOLLER 08/26/02	1:1		A	51952-009		
				appd	M. MOSTOLLER 08/26/02						
sheet index	revision sheet										

A

B

1 | 2

Pro/E

3 |

cage code 22526

4