

PLEASE CHECK WWW.MOLEX.COM FOR LATEST PART INFORMATION

Part Number: [63802-6800](#)
Status: **Active**
Description: Rear Feed Mini-Mac™ Applicator for Snap Male Plug Terminals, 14-18 AWG Wire

Documents:
[RoHS Certificate of Compliance \(PDF\)](#)

General

Product Family	Application Tooling
Series	T1101
Comments	See Tooling Specification (PDF) Above
Function	Crimp
Geographic Area	Global
Level of Automation	Automatic, Semi-Automatic
More Detailed Tech Information	applicationtooling@molex.com
Product Name	Mini-Mac™
Survey	www.molex.com//review/apptool_survey.html
Tool Type	Applicator
UPC	883906944544

Material Info

Reference - Drawing Numbers

Application Tooling Documents [ATS-638026800](#), [TM-638000100](#), [TM-638000100SP](#)

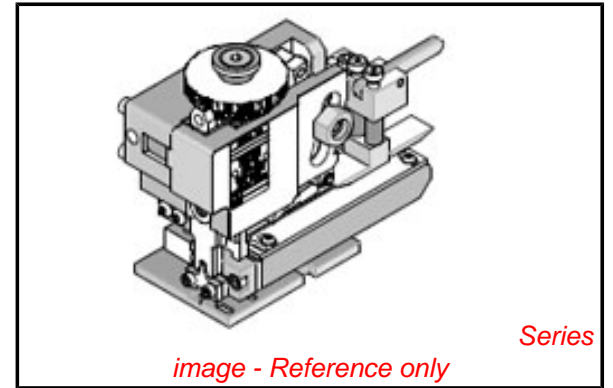


image - Reference only

EU RoHS **China RoHS**

Compliance Status

Not Reviewed

REACH SVHC

Not Reviewed

Low-Halogen Status

Not Reviewed

Need more information on product environmental compliance?

Email productcompliance@molex.com
 For a multiple part number RoHS Certificate of Compliance, [click here](#)

Please visit the [Contact Us](#) section for any non-product compliance questions.

Search Parts in this Series

[T1101Series](#)

Use With

VibraKrimp™ Snap Plug [19723](#)

Application Tooling	FAQ
Description	Product #

VibraKrimp™ Open Barrel Strip Snap Plug Receptacle with Strain Relief	0197234403
---	------------

VibraKrimp™ Open Barrel Strip Snap Plug Receptacle, with Strain Relief And Dimple	0197234402
---	------------

VibraKrimp™ Open Barrel Strip Snap Plug Receptacle, with Strain Relief And Dimple	0197234400
---	------------

PLEASE CHECK WWW.MOLEX.COM FOR LATEST PART INFORMATION