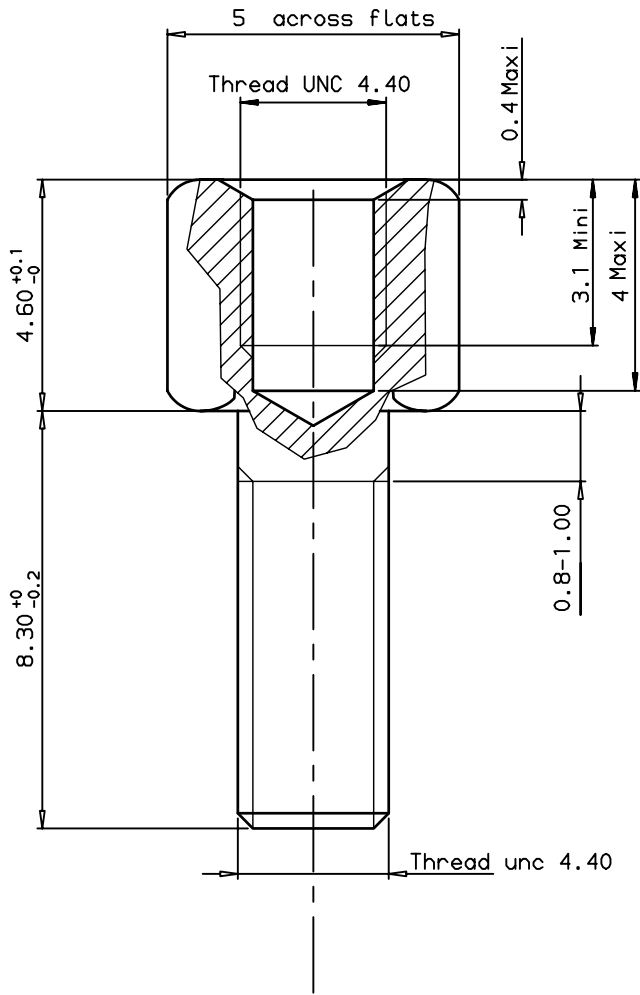


TECHNICAL CHARACTERISTICS :

Female screw locks: steel ,tin plated .
 Packaging : per 1000 pieces .



Part number **86551128TLF**

NOTE:RoHS INFORMATIONS
 - The "LF" products meet European union Directives and other country regulations as described in 65-22-008.
 - Plating Sn (pure bright) over copper
 - Packaging spec: see 65-14-920

European Views

www.fciconnect.com		surface ISO 1302 <input checked="" type="checkbox"/>	tolerance std ISO 406 ISO 1101	projection 	mm
TOLERANCES UNLESS OTHERWISE SPECIFIED					
Dr	JOUBERT	1995/06/27	ANGULAR	0.X	± 0.1
Eng	PESSON	1995/06/27	LINEAR	0.XX	± 0.1
Chr	LEGARE	1995/06/27	0.XX' $\pm 2'$	0.XXX	± 0.1
Appr	LEGARE	1995/06/27	Product family	D-SUB	Spec ref -
rev	ecn no	dr	date		
A	-	JOU	1995/06/27		
B	LS05-0026	MPE	2005/07/08		
C	LS06-0097	LGO	2006/07/28		
D	LS06-0120	PCR	2006/08/08		
E	LS09-0006	PCR	2009/01/08		
-	-	-	-		
-	-	-	-		
FCj			title FEMALE SCREW LOCKS		dwg no C01-8655-0616
			D SUB ACCESSORIES		Rev. E
			catalog no	-	CUSTOMER sheet 1 of 1

Copyright FCj