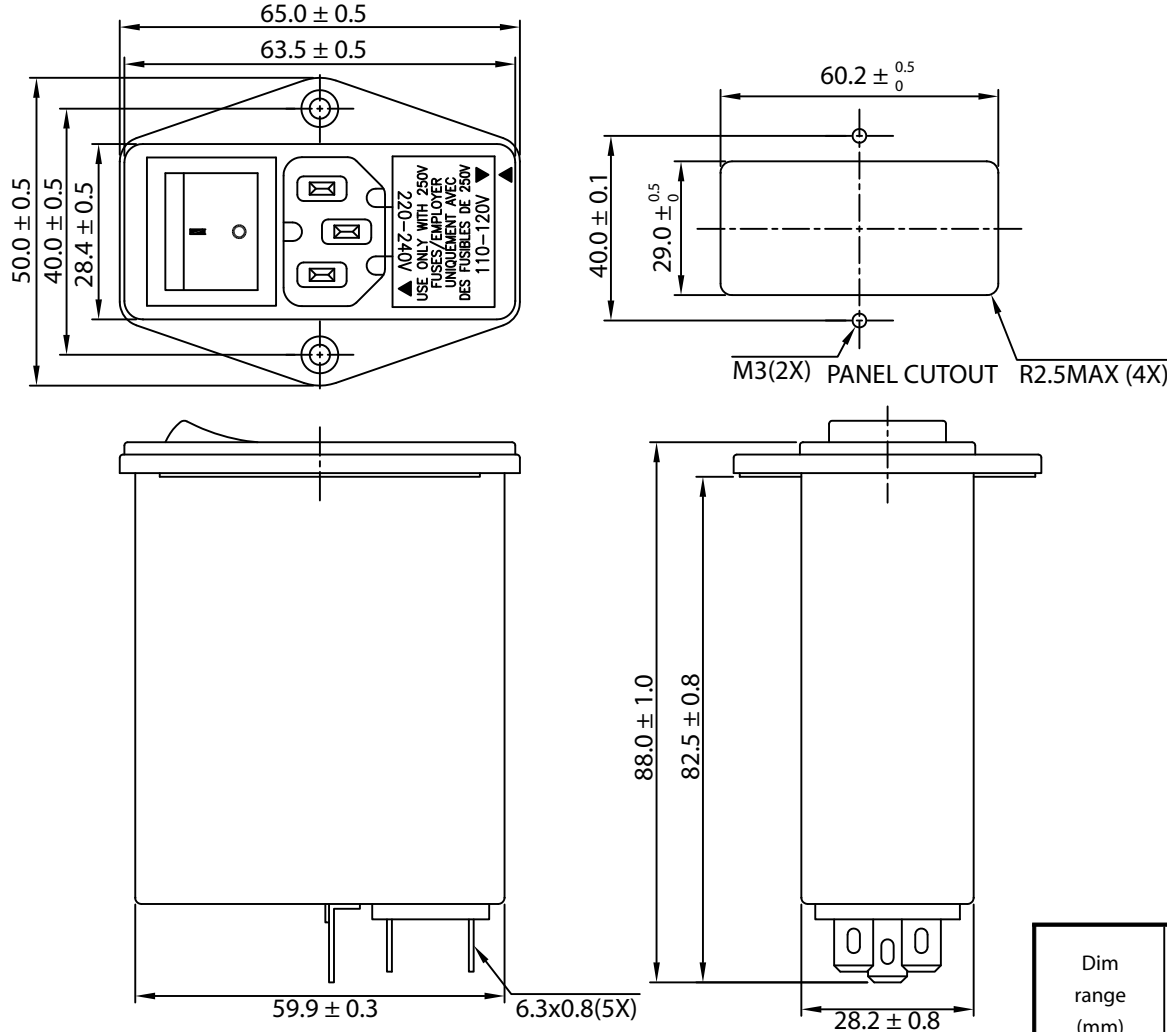
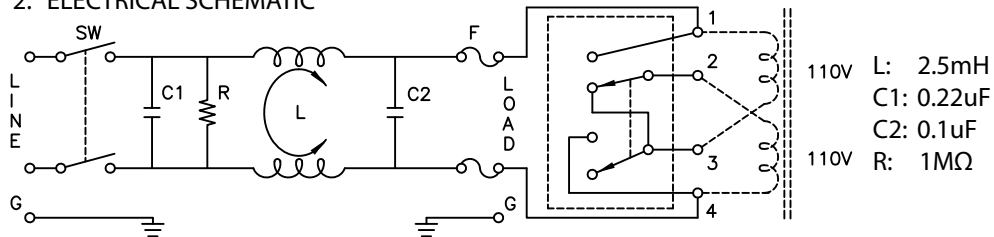


THESE DRAWINGS ARE THE PROPERTY OF QUALTEK ELECTRONICS AND NOT TO BE REPRODUCED FOR OR COMMUNICATED TO A THIRD PARTY WITHOUT THE EXPRESS WRITTEN PERMISSION OF AN OFFICER OF QUALTEK ELECTRONICS.

1. PHYSICAL DIMENSIONS



2. ELECTRICAL SCHEMATIC



REVISION			
REV.	DESCRIPTION	DATE	APPROVED
B	RoHS Compliancy	06-01-06	DP
C	Updated Notes	01-31-08	DP
D	Updated Dim & Fuse Changed to 5x20mm Size Only	09-13-16	LY

ELECTRICAL CHARACTERISTICS:

- 1-1. VOLTAGE RATING.....115/250VAC
- 1-2. CURRENT RATING
 - A. @ 115 VAC.....6 A RMS MAX
 - B. @ 250 VAC.....6 A RMS MAX
- 1-3. OPERATING FREQUENCY.....50/60Hz
- 1-4. LEAKAGE CURRENT: EACH LINE TO GROUND
 - A. @ 115 VAC 60Hz.....2.0 uA MAX
 - B. @ 250 VAC 50Hz.....5.0 uA MAX
- 1-5. HIPOT RATING (FOR ONE MINUTE)
 - A. LINE TO GROUND.....2250 VDC
 - B. LINE TO LINE.....1450 VDC
- 1-6. MINIMUM INSERTION LOSS IN dB: (AT 50 OHM SYSTEM)

FREQ. MHz	.01	.05	.10	.15	.50	1.0	5.0	10	30
COM. MODE dB	/	12	18	20	25	25	20	13	6
DIF. MODE dB	/	4	4	2	28	50	50	50	25

- 1-7. OPERATING TEMPERATURE.....-25° TO +100° C
(DERATING ABOVE 40° C)
- 1-8. SAFETY:
- 1-9. FOR USE WITH UL 544 HEALTH CARE EQUIPMENT
- 1-10. FUSE SIZE 5x20mm (FUSES NOT INCLUDED)
- 1-11. RoHS COMPLIANT

CONTROLLED

Dim range (mm)	Tolerance +/- (mm)	Qualtek Electronics Corp. PPC DIVISION		
		Part Number: 865-06/014		
0-1	0.15	Description: EMI MEDICAL FILTER		
1-6	0.20			
6-18	0.30	UNIT: mm	REV. D	
18-50	0.50			
50-120	0.70	Drawn / Date	Checked / Date	Approved / Date
120-250	0.90	B.ZHANG 09-26-00	09-26-00	JJH / 09-26-00
250-500	1.20			