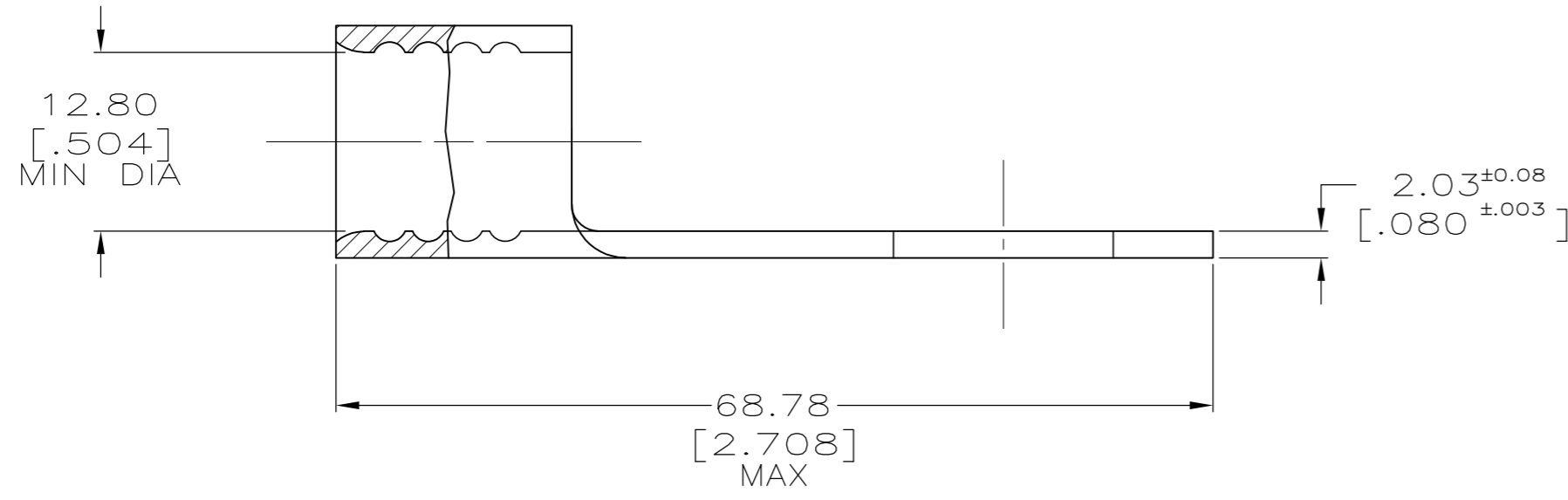
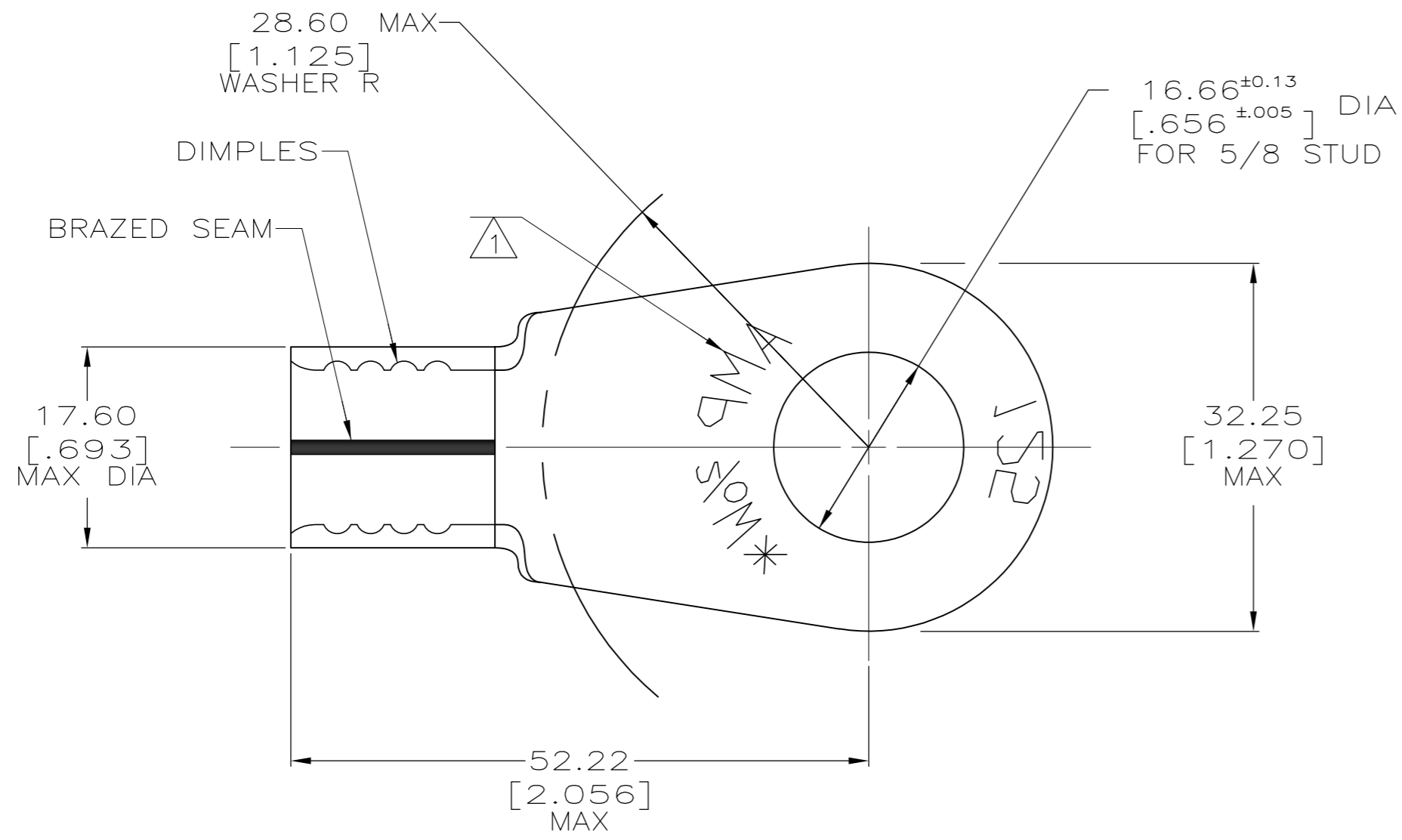


THIS DRAWING IS UNPUBLISHED. RELEASED FOR PUBLICATION  
 © COPYRIGHT BY TYCO ELECTRONICS CORPORATION. ALL INTERNATIONAL RIGHTS RESERVED.

LOC		DIST		REVISIONS			
P	LTR	DESCRIPTION		DATE	DWN	APVD	
G	14	D	REV PER ECR 10-000722	25JAN10	JR	TM	



<b>AMP</b> WIRE RANGE	E13288 Listed	LR7189 Certified
2/0 AWG SOLID OR STRANDED	2/0 AWG STRANDED	2/0 AWG SOLID OR STRANDED

- 1 STAMP AMP 2/0W\* 125, APPROX AS SHOWN
- 2 COPPER PER ASTM B-152, ANNEALED
- 3 TIN PLATE 0.00254 [.000100] MIN THK EXT. PER ASTM B-545
- 4 MAX RECOMMENDED OPERATING TEMP IS 170°C.
- 5 WIRE CROSS SECTIONAL AREA RANGE: 60.6-76.3mm [119,500-150,500] CMA SOLID OR STRANDED.

50	LOOSE PIECE	322224
QTY	PACKAGING TYPE	PART NO.

THIS DRAWING IS A CONTROLLED DOCUMENT.		DWN DK SCHRUM 8/4/93	Tyco Electronics Corporation Harrisburg, PA 17105-3608	
DIMENSIONS: MM [ INCHES ]		CHK AJ KAUFMAN 8/5/93		
TOLERANCES UNLESS OTHERWISE SPECIFIED:		APVD JL MECKLEY 8/5/93		
0 PLC ± - 1 PLC ± - 2 PLC ± 0.20[.008] 3 PLC ± - 4 PLC ± - ANGLES ± -		PRODUCT SPEC -		
MATERIAL - 2	FINISH - 3	APPLICATION SPEC -	NAME	TERMINAL, RING TONGUE, SOLISTRAND
WEIGHT -		SIZE A2	CAGE CODE 00779	DRAWING NO C=322224
CUSTOMER DRAWING		SCALE 2:1	SHEET 1 of 1	REV D

322224