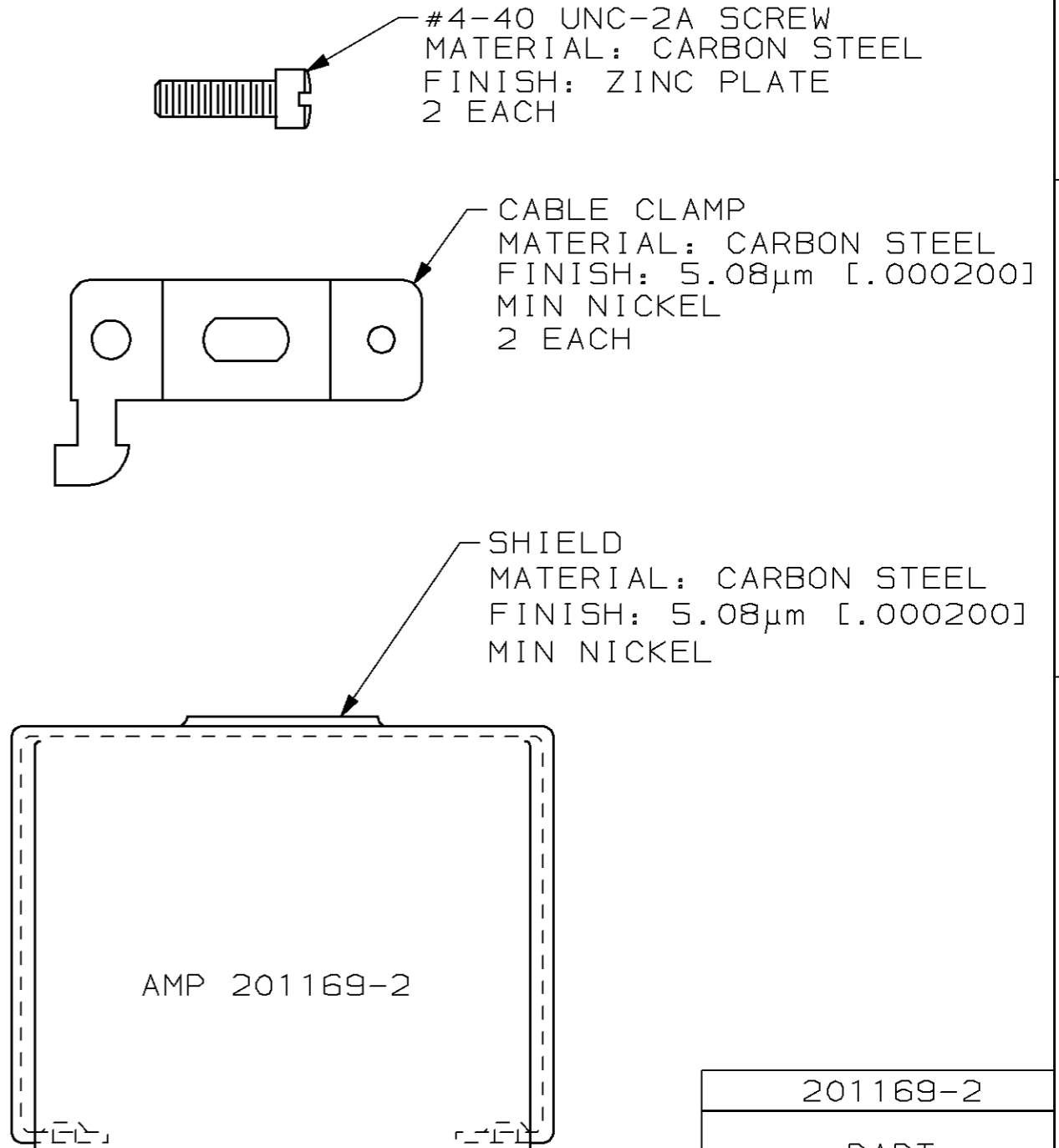
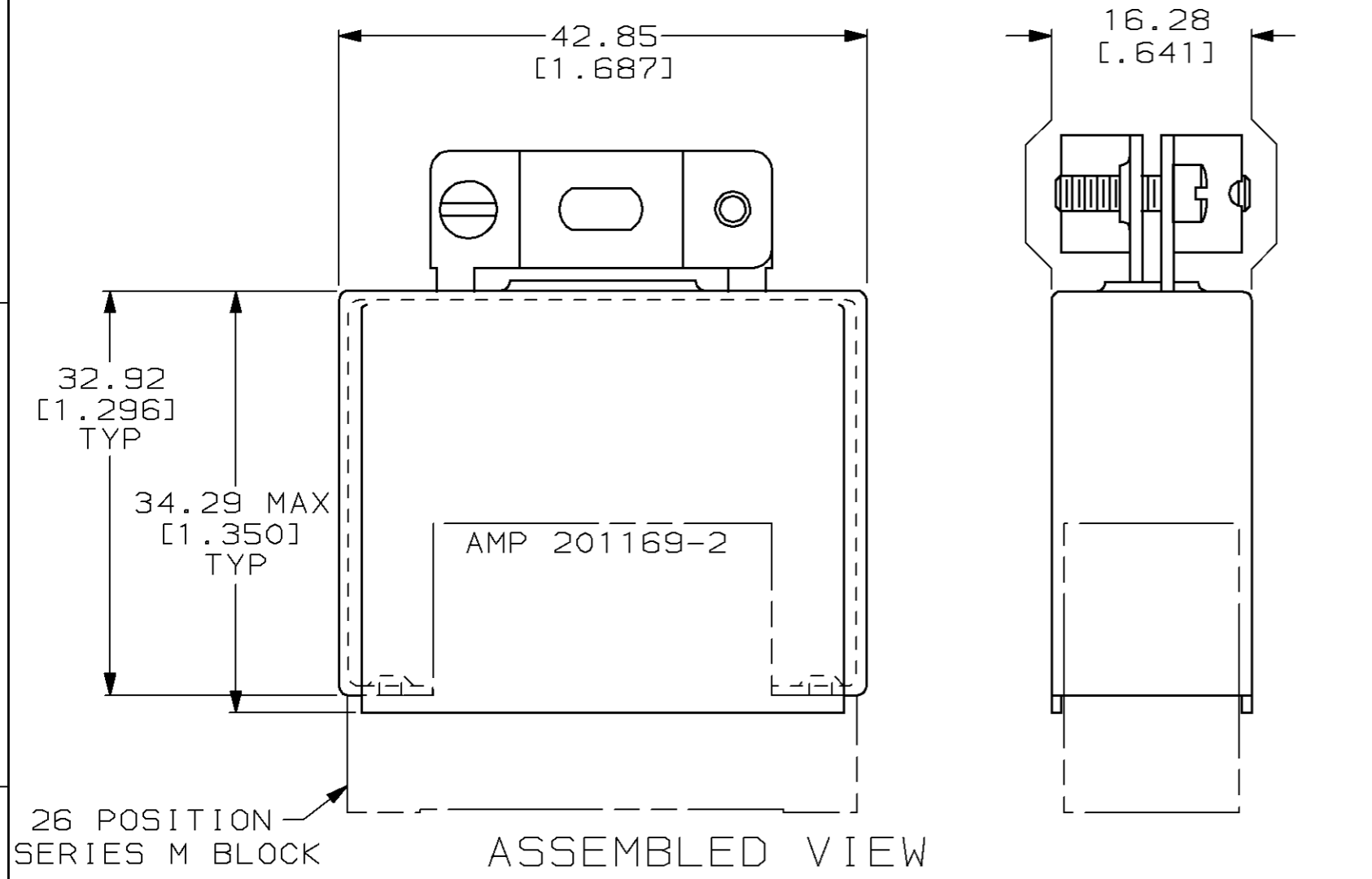


THIS DRAWING IS UNPUBLISHED. RELEASED FOR PUBLICATION ,19 .
 © COPYRIGHT 19 BY AMP INCORPORATED. ALL RIGHTS RESERVED.

LOC	DIST	REVISIONS			
P	LTR	DESCRIPTION	DATE	DWN	APVD
FT	8	S	REDWN W/O CHNG PER EC 0020-291-96	05 JUN 96	TS GS



1. CLAMP AREA WILL ACCEPT 26 WIRES OF 1.78 [.070] MAX DIA.

201169-2
PART NUMBER

THIS DRAWING IS A CONTROLLED DOCUMENT.		DWN T. SMITH 05 JUN 96	AMP AMP Incorporated Harrisburg, PA 17105-3608
DIMENSIONS: mm [INCHES]		CHK R. STONE 06 JUN 96	
TOLERANCES UNLESS OTHERWISE SPECIFIED:		APVD G. STEINHAUER 21 JAN 97	NAME
0 PLC ±-		PRODUCT SPEC	SHIELD KIT, UNASSEMBLED, 26 POSITION, M SERIES
1 PLC ±-		APPLICATION SPEC	SIZE A3
2 PLC ±0.38 [.015]		WEIGHT -	CAGE CODE 00779
3 PLC ±-		CUSTOMER DRAWING	DRAWING NO C-201169
4 PLC ±-			SCALE 2:1
ANGLES ±-			SHEET 1 OF 1
MATERIAL SEE CALLOUTS	FINISH SEE CALLOUTS		REV S