

DESCRIPTION: POWER - RIGHT ANGLE - MALE - MACHINED - IP67

SPECIFICATIONS:

ELECTRICAL:

INSULATOR RESISTANCE: 5 G OHMS Min.
 DIELECTRIC WITHSTANDING: 1,000VAC r.m.s.
 OPERATING TEMPERATURE: -55° C ~ +155° C
 CONTACT RESISTANCE: 1.0 Milliohms Max.
 POWER PINS: 40 AMPS

MECHANICAL:

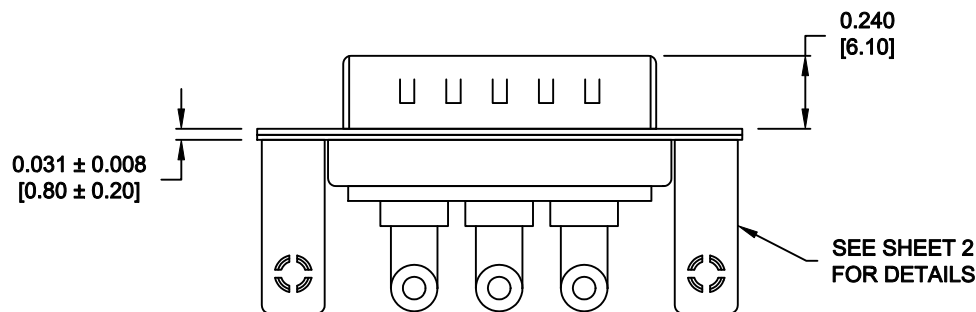
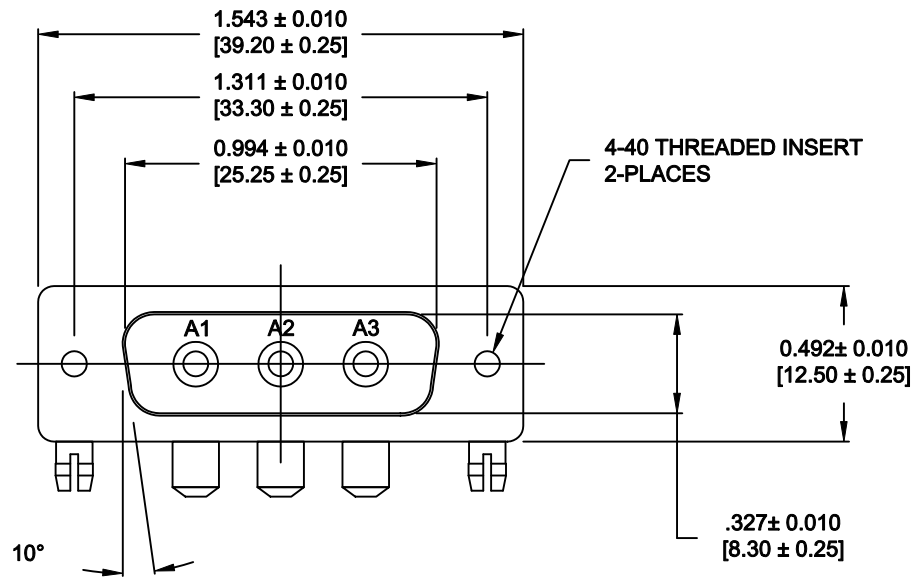
CONTACT INSERTION FORCE: 4.5 Kg Max.
 CONTACT SEPARATOR FORCE: 0.3Kg Min.

MATERIALS:

CONTACTS: COPPER ALLOY
 INSULATOR: PBT UL94V-0 RATED, BLK
 230°C PROCESS TEMP.
 SHELL: STEEL
 BOARD LOCK: BRASS, NICKEL PLATED
 CINCHNUT: BRASS, NICKEL PLATED
 BRACKET: STEEL, NICKEL PLATED
 SEAL: F08 FLEXIBLE ADHESIVE

FINISH:

SHELL: NICKEL
 CONTACTS: FULL GOLD FLASH




684S3W3103L461

46 = 4-40 INSERTS / BOARD LOCKS

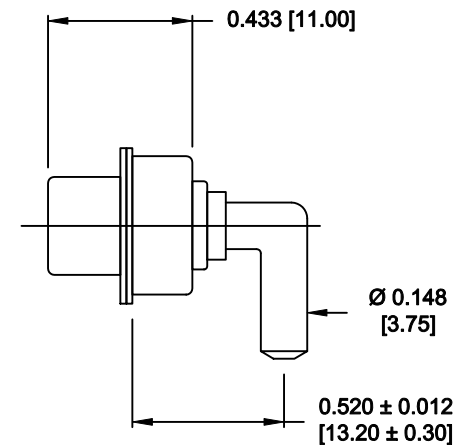
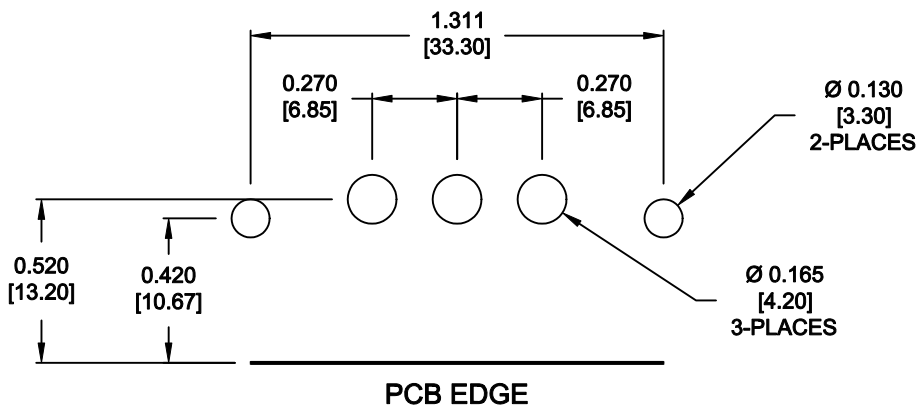
MEETS IP67 STANDARDS

(SEE PAGE 3 FOR SEALING DETAILS)

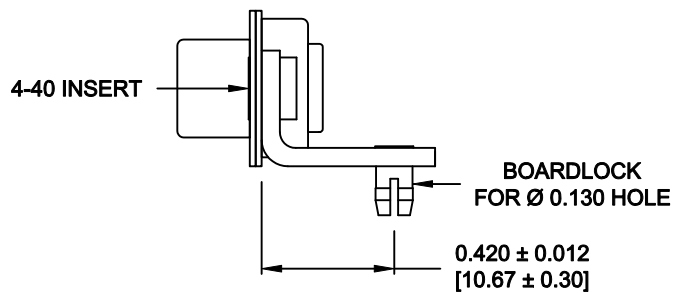
RoHS COMPLIANT

	THESE DRAWINGS AND SPECIFICATIONS ARE THE PROPERTY OF NorComp AND SHALL NOT BE REPRODUCED, COPIED OR USED AS THE BASIS FOR THE MANUFACTURE OR SALE OF APPARATUS WITHOUT WRITTEN PERMISSION.		DRAWN: M. SIGMON	DATE: 04-22-13
			CHECKED:	DATE:
NorComp	SCALE: 1.5 = 1	SHEET 1 OF 3	REV 2	
	DWG NO. 684S3W3103L461			

NOTE:
POWER CONTACTS COME
PRE-LOADED INTO INSULATORS




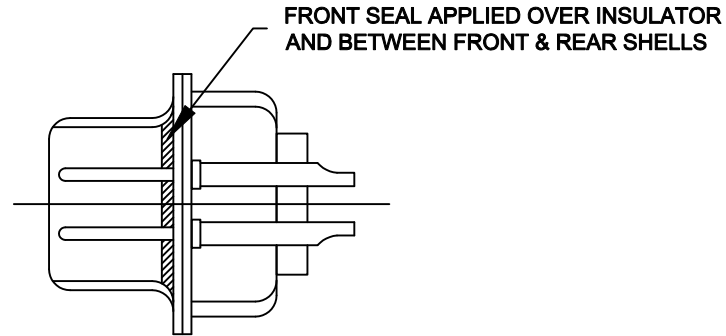
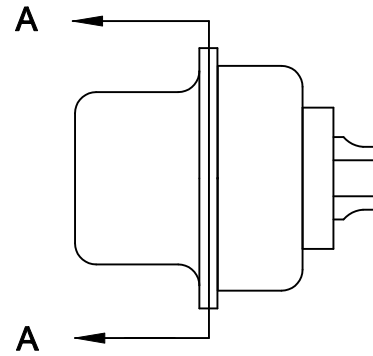
40 AMP POWER CONTACT



MOUNTING HARDWARE


RoHS COMPLIANT

	THESE DRAWINGS AND SPECIFICATIONS ARE THE PROPERTY OF NorComp AND SHALL NOT BE REPRODUCED, COPIED OR USED AS THE BASIS FOR THE MANUFACTURE OR SALE OF APPARATUS WITHOUT WRITTEN PERMISSION.		DRAWN: M. SIGMON	DATE: 04-22-13
			CHECKED:	DATE:
NorComp		SCALE: 1.5 = 1	SHEET 2 OF 3	REV 2
		DWG NO. 684S3W3103L461		



DETAIL A-A
SHOWN FOR REFERENCE ONLY

RoHS COMPLIANT

	THESE DRAWINGS AND SPECIFICATIONS ARE THE PROPERTY OF NorComp AND SHALL NOT BE REPRODUCED, COPIED OR USED AS THE BASIS FOR THE MANUFACTURE OR SALE OF APPARATUS WITHOUT WRITTEN PERMISSION.		DRAWN: M. SIGMON	DATE: 04-22-13
			CHECKED:	DATE:
NorComp		SCALE: 1.5 = 1	SHEET 3 OF 3	REV 2
		DWG NO. 684S3W3103L461		