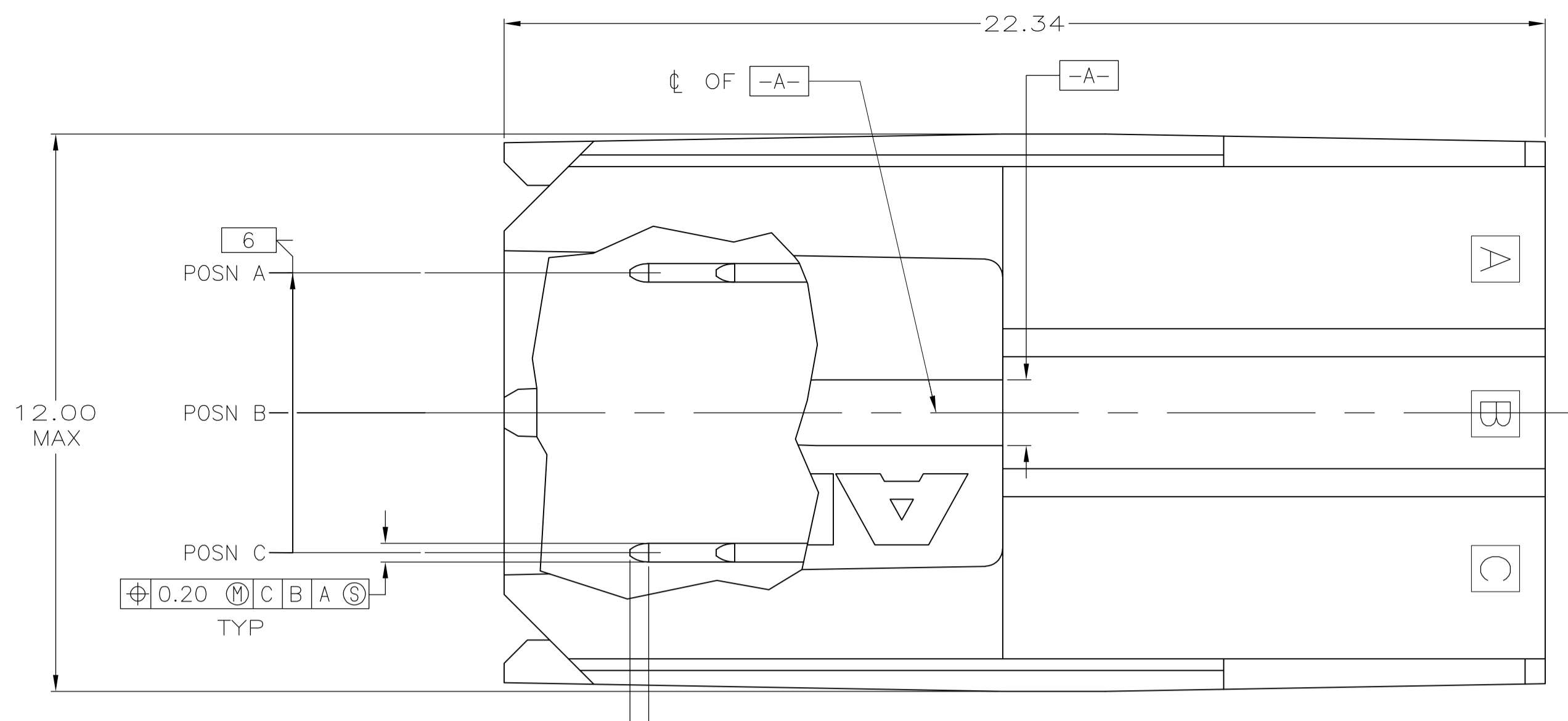
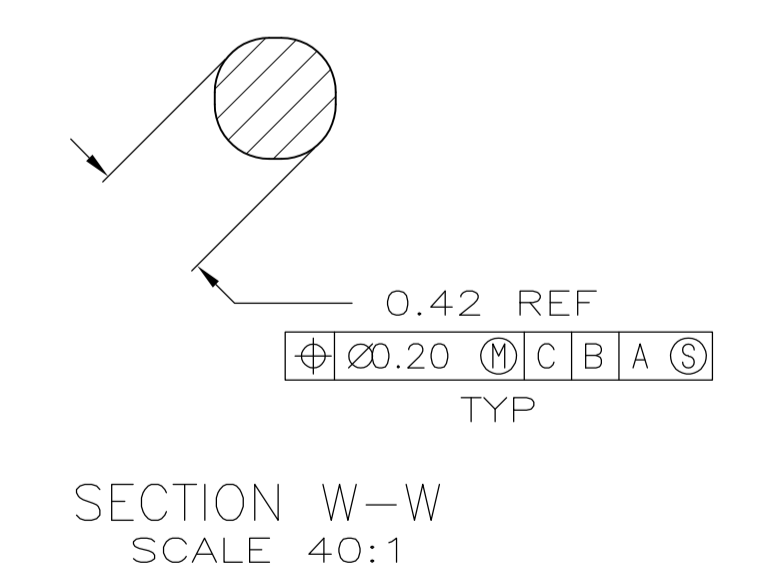
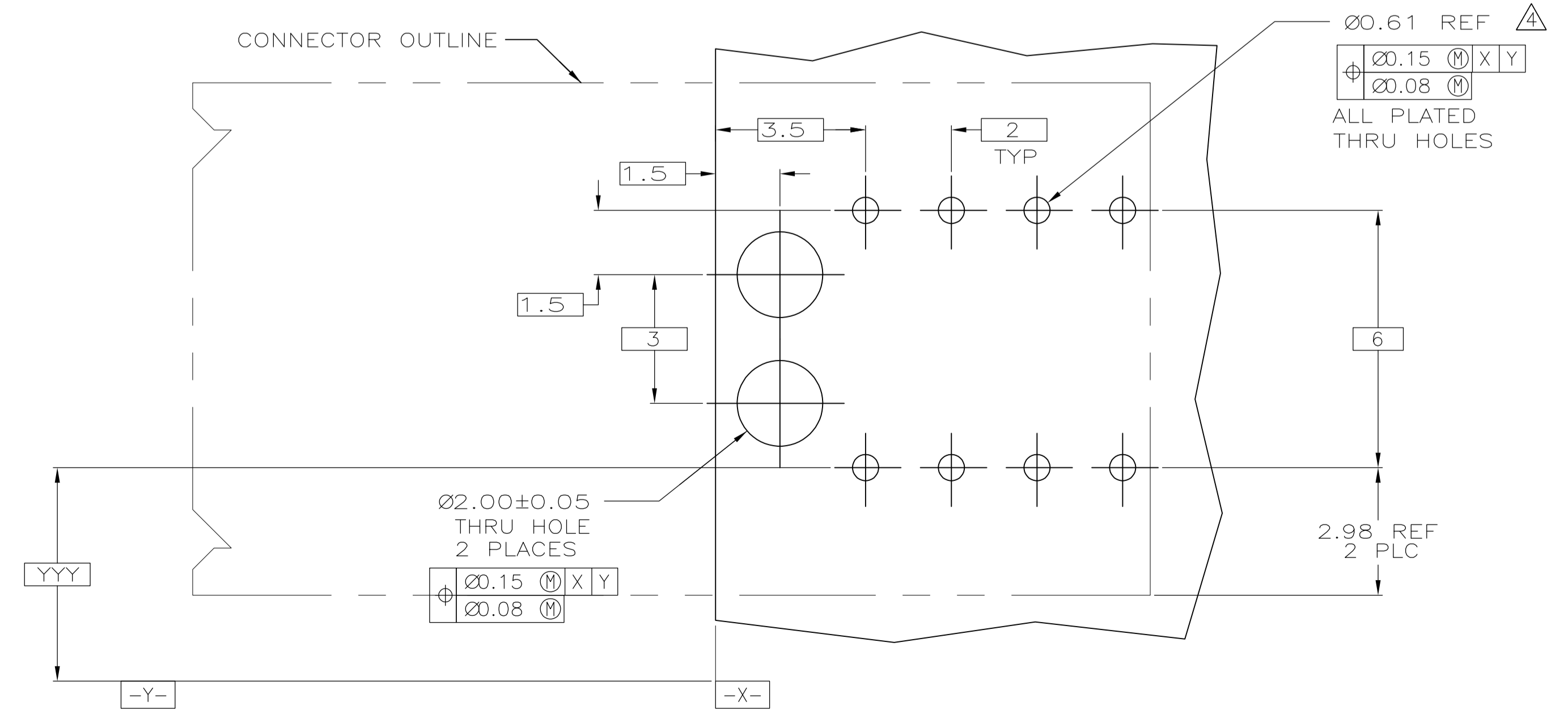
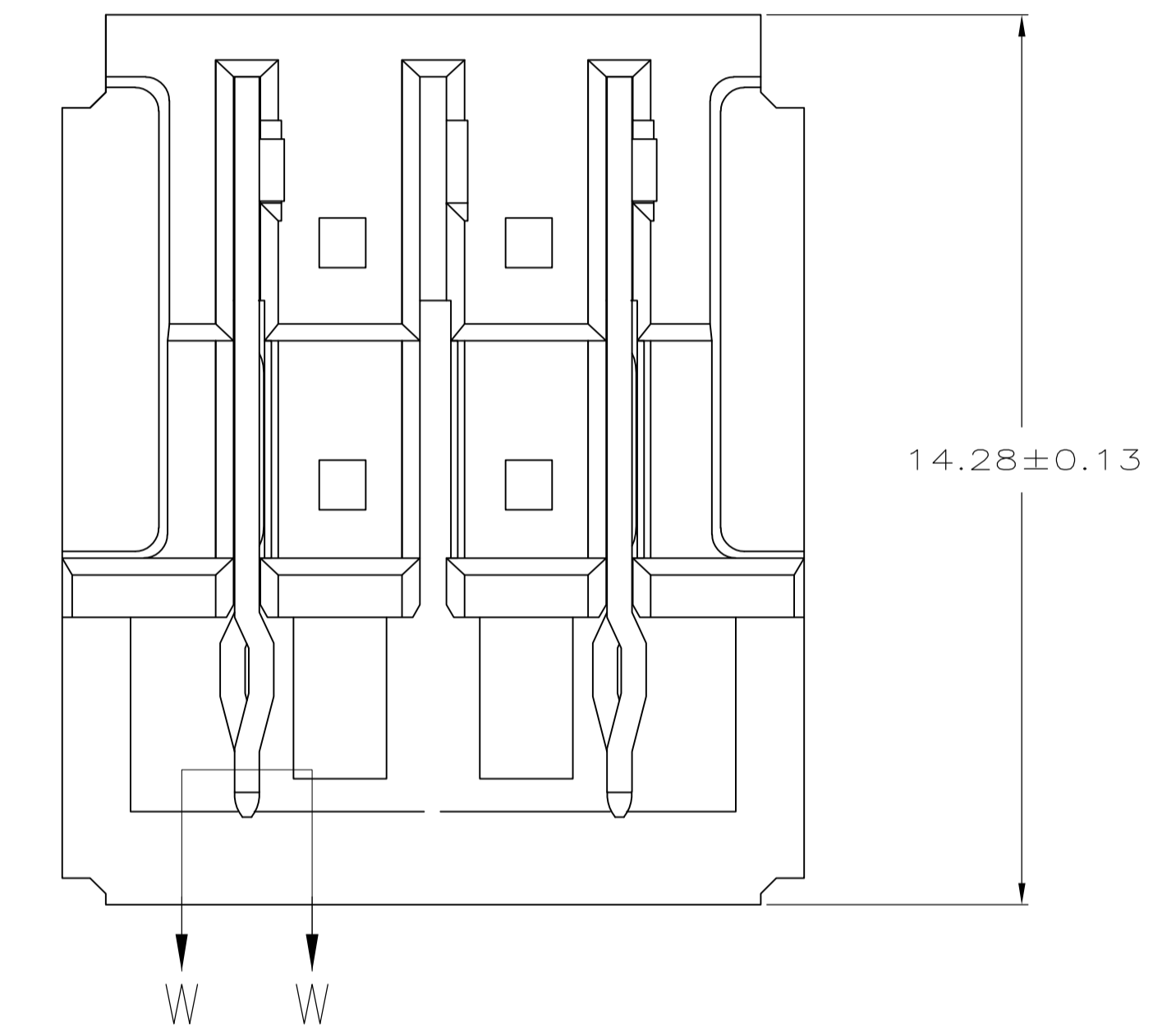
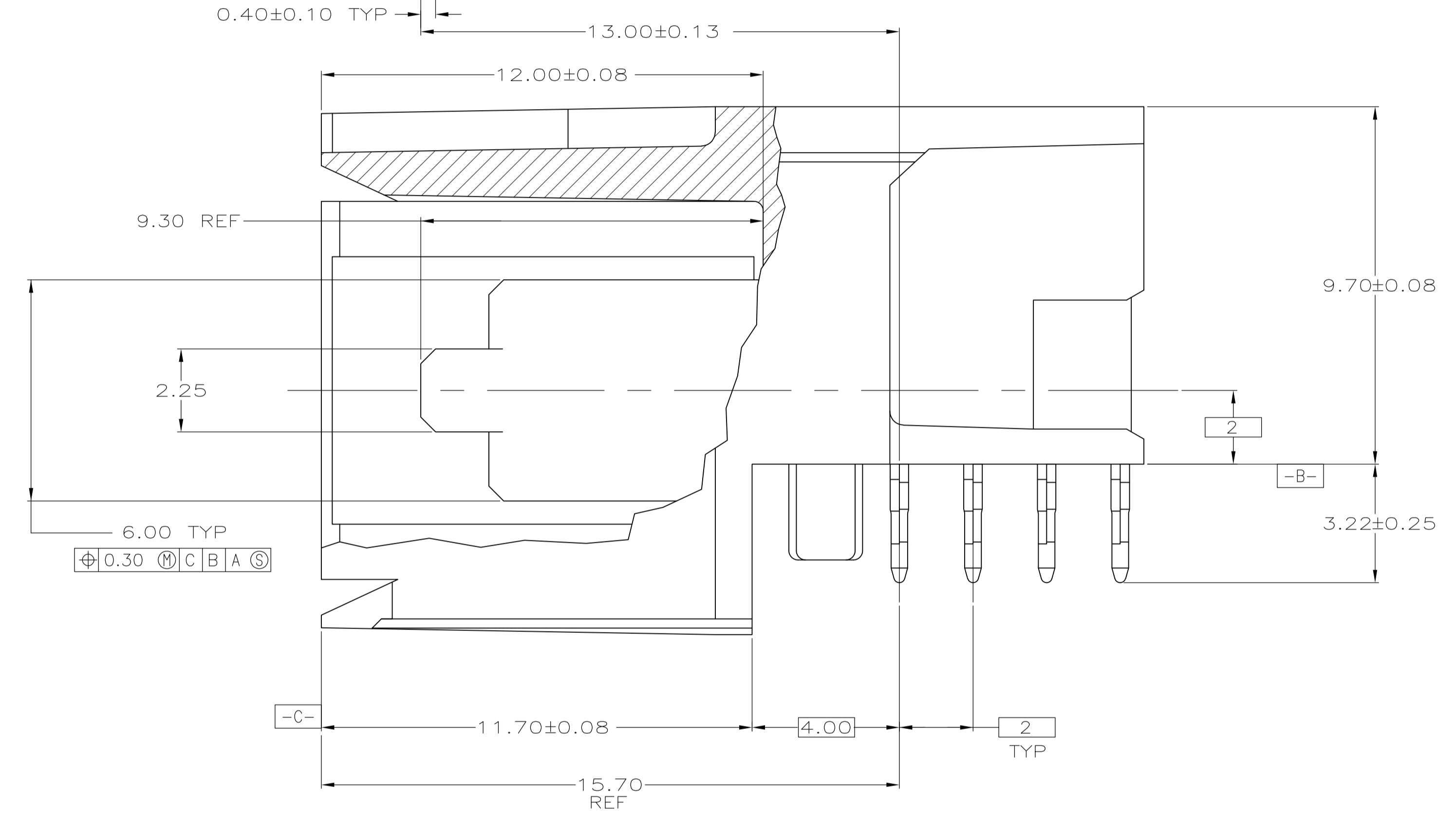
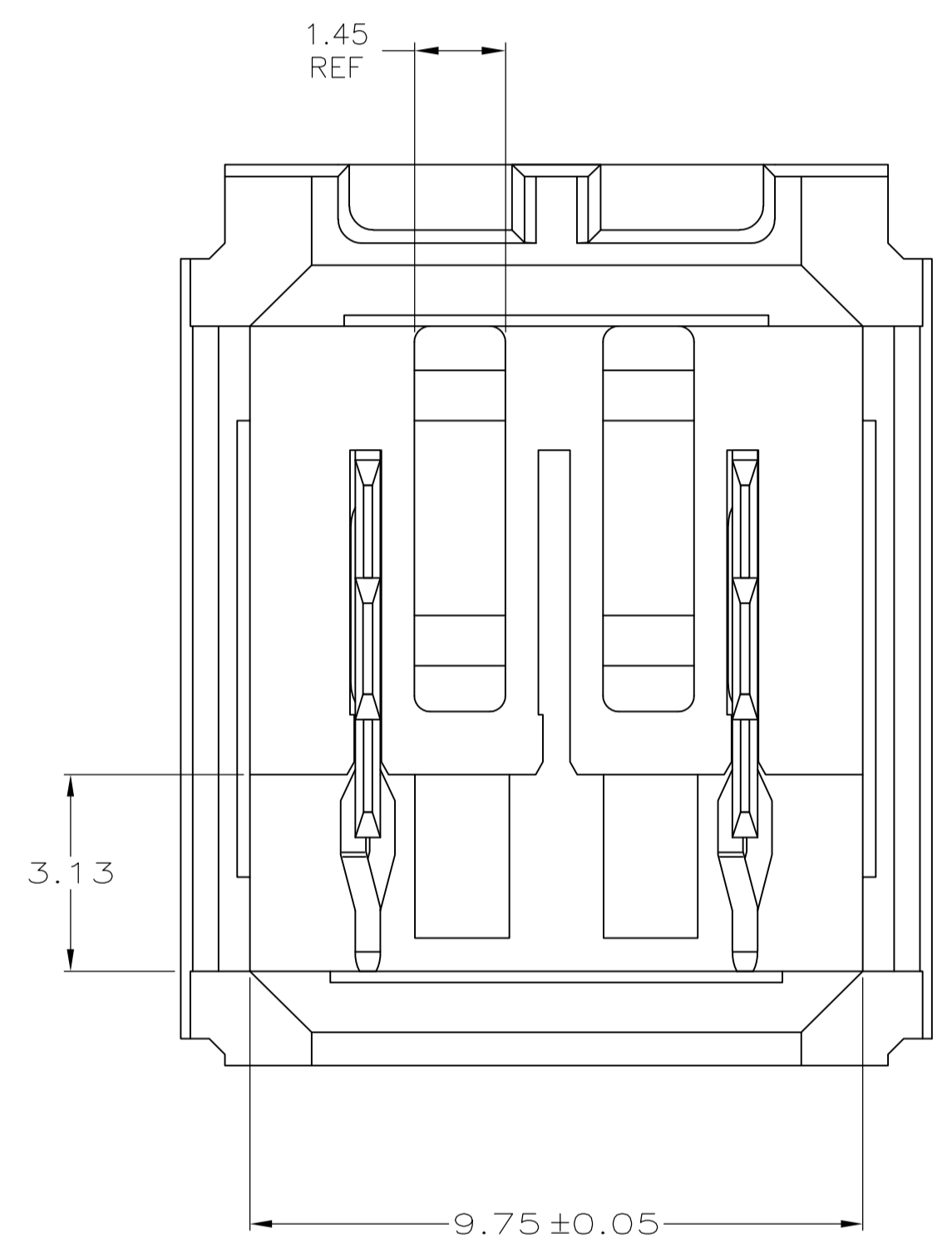


LOC		DIST		REVISIONS			
AD	00	REV	DATE	BY	APPV	DATE	REV
E		REVISED PER ECO-11-000045	04JAN11	DH	DY		



- 1 MATERIAL: HOUSING: POLYESTER. COLOR: GRAY. UL 94V-0. CONTACT: PHOSPHOR BRONZE.
- 2 FINISH: CONTACT MATING AREA: 1.27 $\mu$ m MIN GOLD OR 0.08 $\mu$ m MIN GOLD OVER 0.76 $\mu$ m MIN PALLADIUM-NICKEL. ACTION PIN AREA: 0.5 $\mu$ m MIN TIN LEAD PLATE, ALL OVER 1.27 $\mu$ m MIN NICKEL UNDERPLATE.
- 3 FINISH: CONTACT LUBRICATION WITH BELLCORE APPROVED LUBRICANT. TECHNICAL REFERENCE: TR-NWT-001217 ISSUE 1, SEPT 1992.
- 4 REFERENCE APPLICATION SPEC 114-1103 FOR RECOMMENDED PLATED THRU HOLE DIAMETER AND PLATING THICKNESSES.
- 5 CURRENT RATING 10A/CONTACT PER PRODUCT SPEC 108-1651.



223975-1  
PART NUMBER

THIS DRAWING IS A CONTROLLED DOCUMENT.		DIN T. SHUEY 12-11-98	Tyco Electronics Corporation Harrisburg, PA 17105-3608
DIMENSIONS: mm		CHK R. PATTERSON 12-11-98	
TOLERANCES UNLESS OTHERWISE SPECIFIED:		APPV R. PATTERSON 12-11-98	NAME ASSEMBLY, RIGHT ANGLE HEADER, W/ RETENTION PEGS, UNIVERSAL POWER MODULE
0 PLC $\pm$ -		PRODUCT SPEC	
1 PLC $\pm$ -		APPLICATION SPEC	SIZE CASE CODE DRAWING NO
2 PLC $\pm$ 0.13		RESTRICTED TO	A1 00779 C=223975
3 PLC $\pm$ -		WEIGHT	CUSTOMER DRAWING
4 PLC $\pm$ -		SCALE 10:1	SHEET 1 OF 1
ANGLES $\pm$ -		REV E	