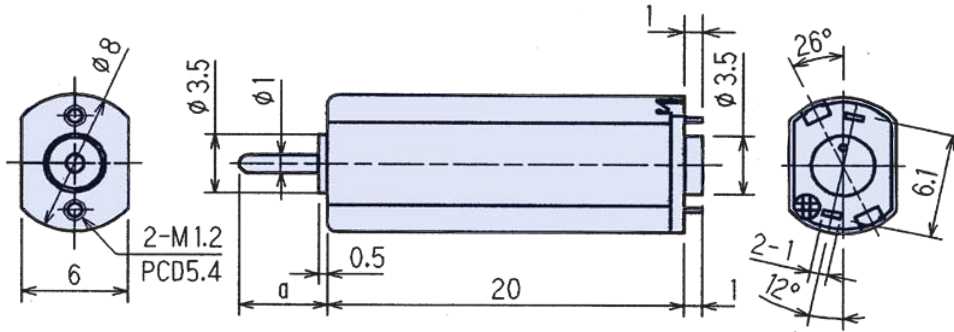


PNN13



Weight: 3.8 g

Outline UNIT:mm



Specifications

Model	Operating Voltage (V)	Rated Voltage (V)	No Load Speed (min ⁻¹)	No Load Current (mA)	Rated Load		Rated Load Speed (min ⁻¹)	Rated Load Current (mA)	Starting Torque		Starting Current (mA)	Shaft Length (mm)
					(gf·cm)	(mN·m)			(gf·cm)	(mN·m)		
PNN13RB08RD	1 to 3.5	3.0	12213	32	1.0	0.1	9765	81	5.1	0.5	280	a=6.9
PNN13RE85HD	1 to 3.5	3.0	13950	34	1.0	0.1	11525	91	5.9	0.6	361	a=6.0
PNN13RE09HD	1 to 3.5	3.0	16426	42	1.0	0.1	13833	109	6.5	0.6	467	a=6.0
PNN13RE09JD	1 to 3.5	3.0	16426	42	1.0	0.1	16426	109	6.5	0.6	467	a=10.5

Characteristics

