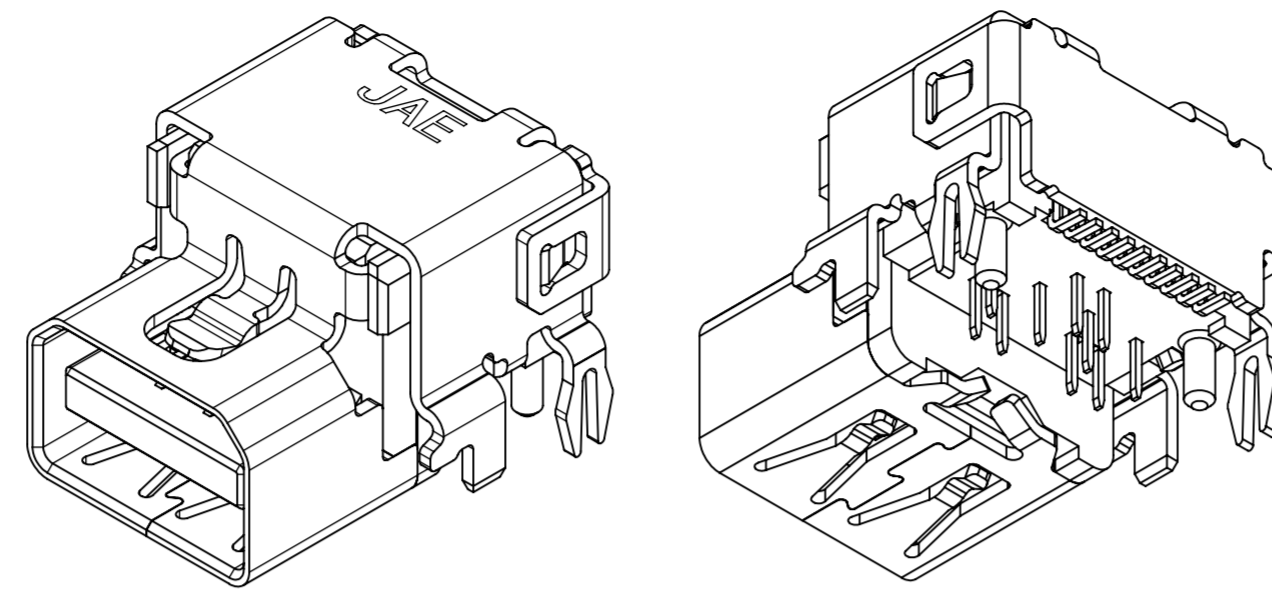
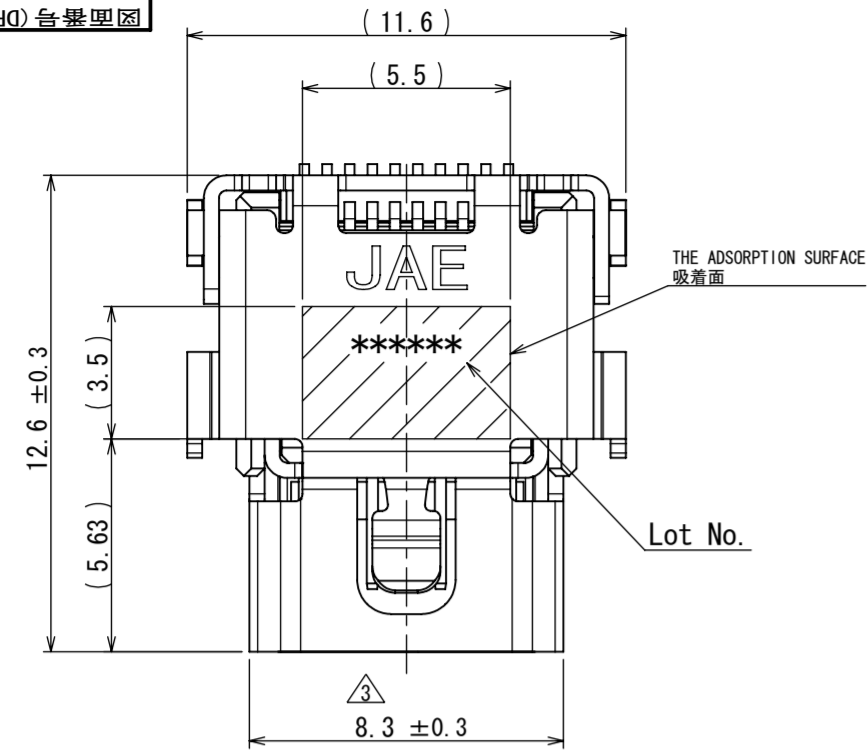
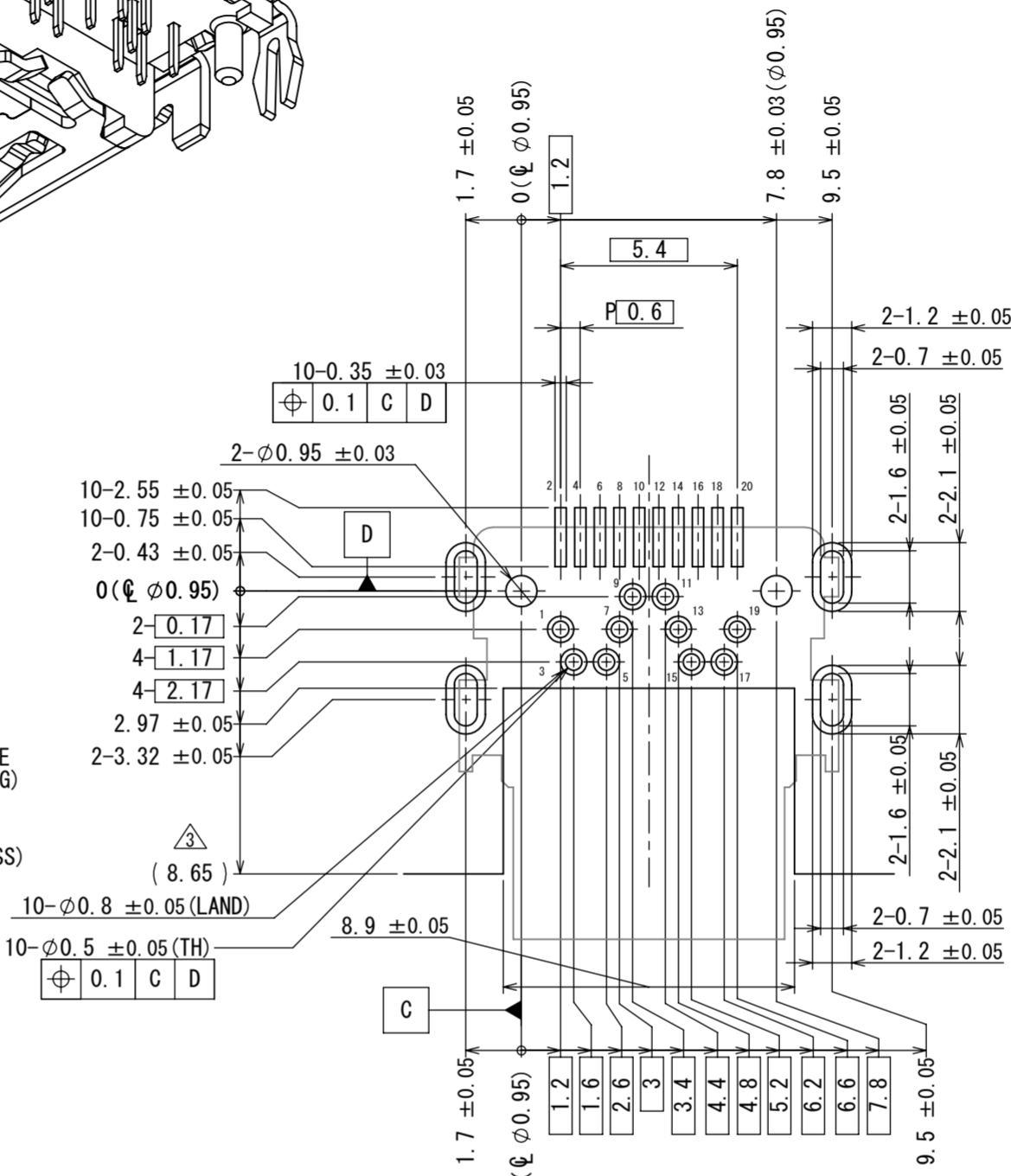
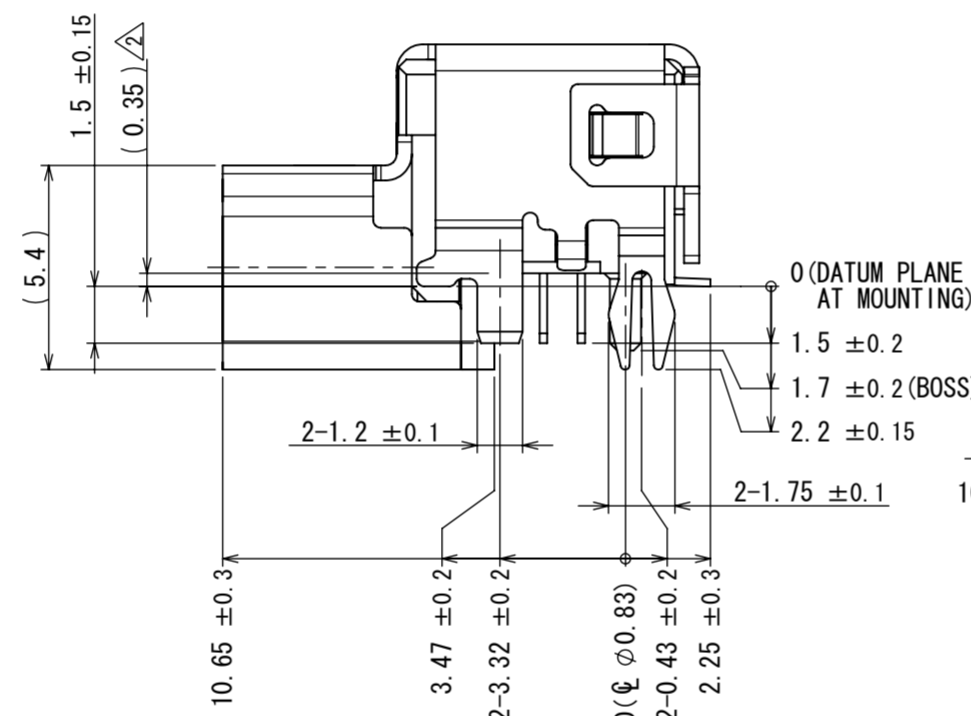
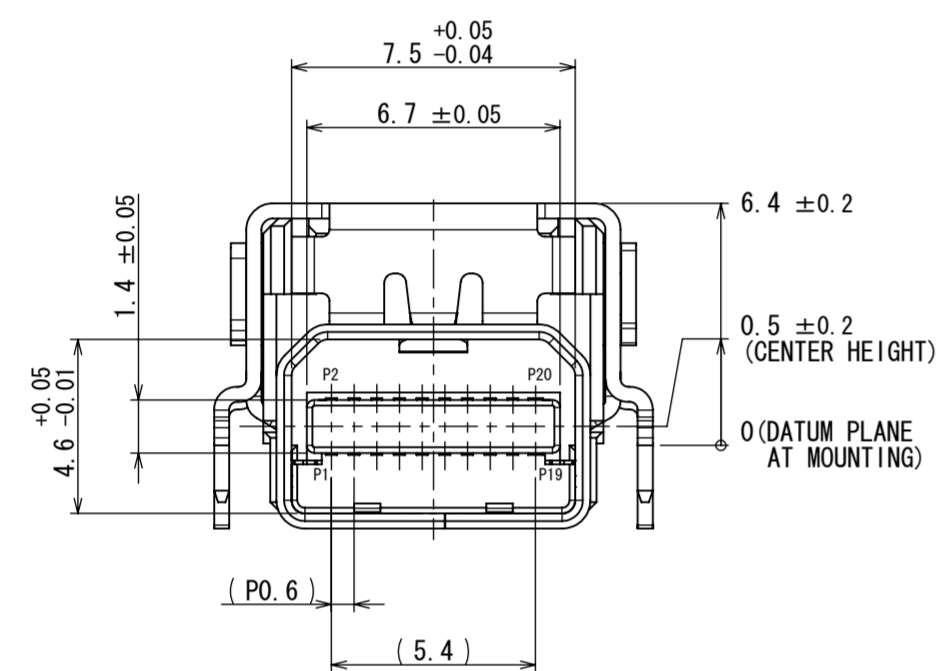


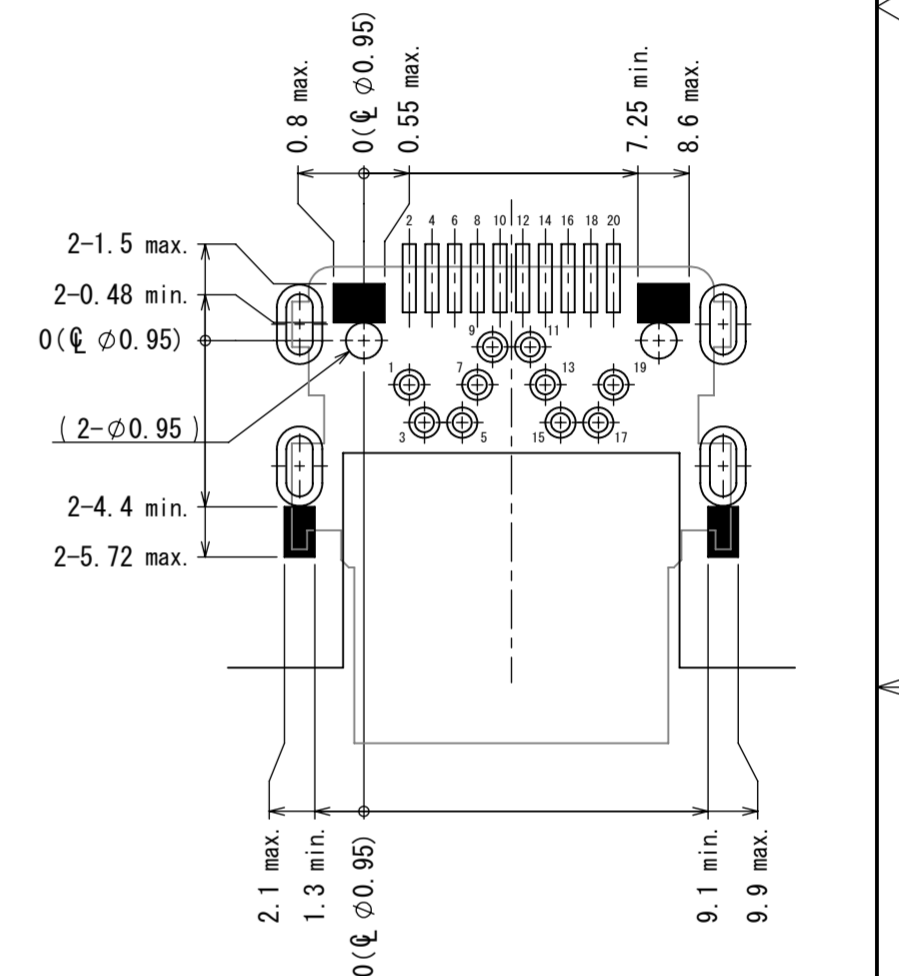
| 版数 REV. | 年月日 DATE | CN NO. | 変更内容 DESCRIPTION | 製図 DR. | 担当 CHK. | 査閲 APPD. | 承認 APPD. |
|---------|-------------|--------|-------------------------------|--------|---------------|----------|-----------|
| 2 | 12/APR/2012 | 002403 | REVISED NOTE, ADDED DIMENSION | — | M. KATAYANAGI | — | S. AIHARA |
| 3 | 08/JUN/2012 | 002999 | ADDED DIMENSION | — | M. KATAYANAGI | — | S. AIHARA |
| 4 | 03/AUG/2012 | 003582 | CORRECT AN ERROR | — | M. KATAYANAGI | — | S. AIHARA |



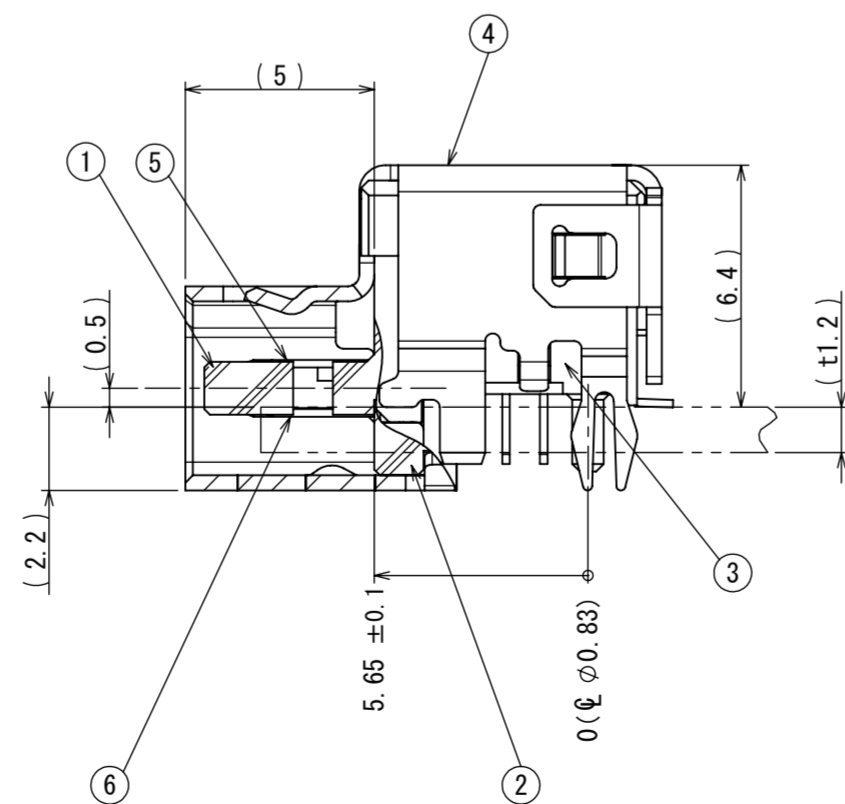
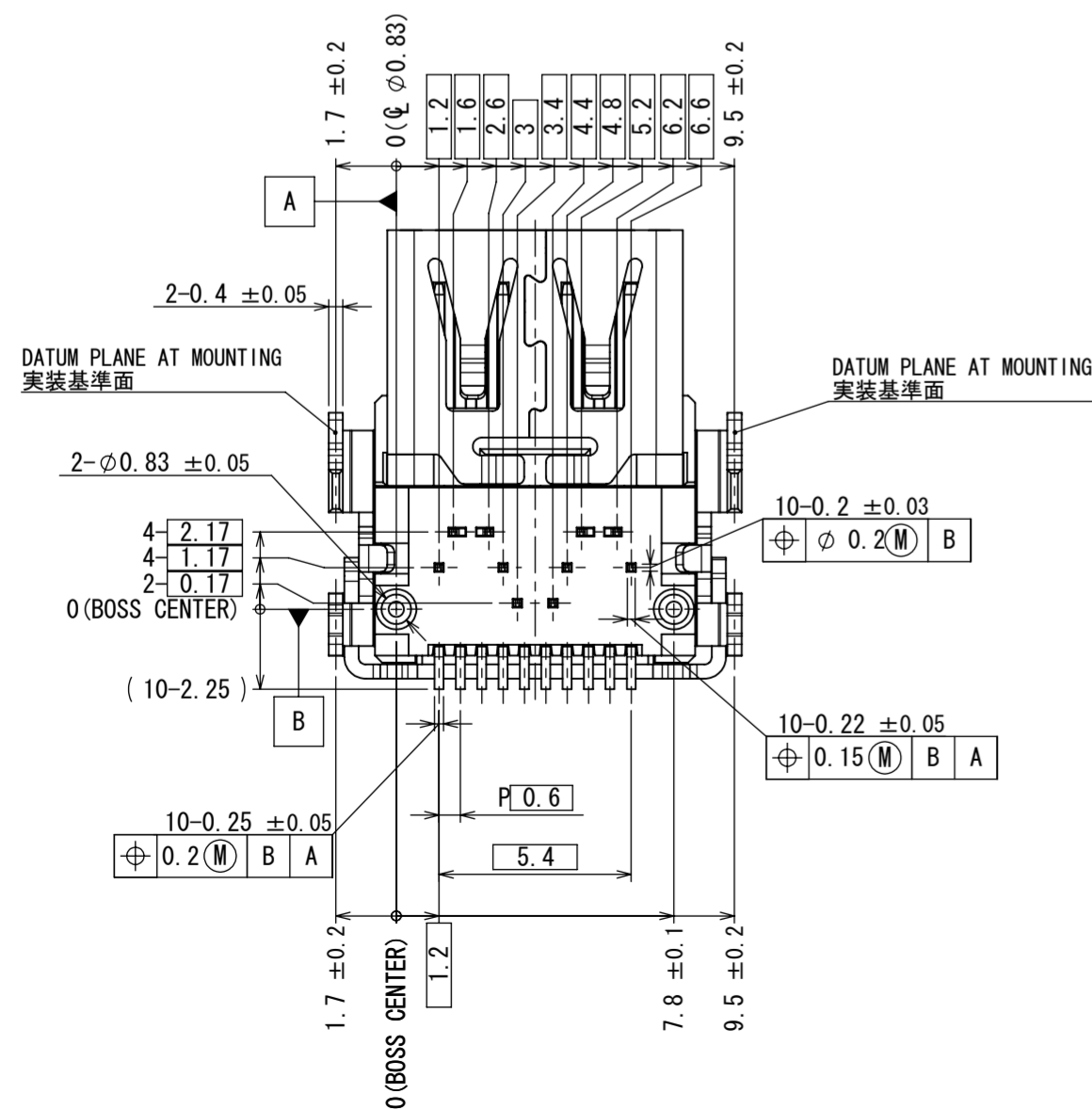
PERSPECTIVE VIEW
(SCALE 5:1)



APPLICABLE P.C.B DIMENSION (REF.)
適合基板寸法 (参考)



DIMENSION OF CONNECTOR INSULATOR ON SURFACE OF P.C.B
(PATTERN PROHIBITION AREA)
パターン配置禁止エリア



| 符号 NO. | 名称 DESCRIPTION | 数量 QTY. | 材料 MATERIAL | 仕上 FINISH | 備考 REMARKS |
|--------|-----------------|---------|-----------------|--|---|
| 6 | LOWER CONTACT | 10 | COPPER ALLOY | CONTACT AREA: GOLD OVER NICKEL TERMINAL AREA: MATTE TIN PLATING OVER NICKEL | CONTACT AREA: Au0.3 μm MIN. TERMINAL AREA: Sn1.5 μm MIN. |
| 5 | UPPER CONTACT | 10 | COPPER ALLOY | CONTACT AREA: GOLD OVER NICKEL TERMINAL AREA: MATTE TIN PLATING OVER NICKEL | CONTACT AREA: Au0.3 μm MIN. TERMINAL AREA: Sn1.5 μm MIN. |
| 4 | SHELL | 1 | STAINLESS STEEL | BLACK NICKEL PLATING | — |
| 3 | LOCATOR | 1 | LCP | — | COLOR: BLACK HALOGEN-FREE |
| 2 | LOWER INSULATOR | 1 | LCP | — | COLOR: BLACK HALOGEN-FREE |
| 1 | UPPER INSULATOR | 1 | LCP | — | COLOR: BLACK HALOGEN-FREE |

| | | | |
|-----------------------------------|------------------------------------|--------------------------------|---|
| 仕様書 (SPECIFICATION) JACS-30248 | 第1版 (ORIGINAL DATE) 24/NOV/2011 | 尺度 (SCALE) 5:1 | シリーズ (SERIES) DP3 |
| 製図 DR. M. KATAYANAGI | 担当 CHK. M. KATAYANAGI | 名称 (TITLE) DP3RB20RU05JQ | 日本航空電子工業株式会社 JAPAN AVIATION ELECTRONICS INDUSTRY, LTD. |
| 査閲 APPD. S. AIHARA | 承認 APPD. S. AIHARA | 図面番号 (DRAWING NO.) SJ112304 | 版数 (REV.) 4 |