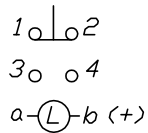
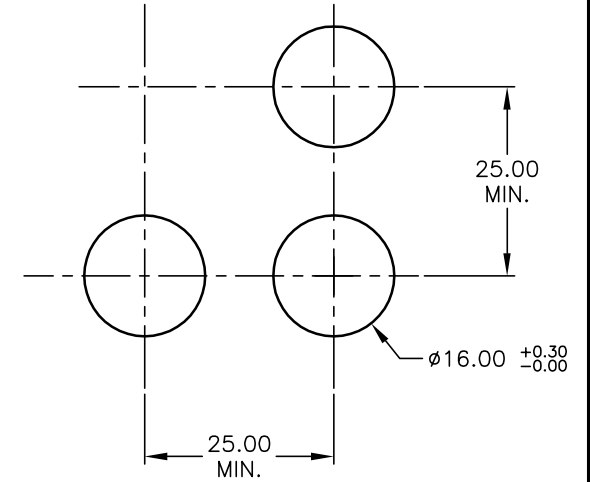
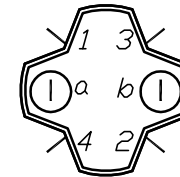
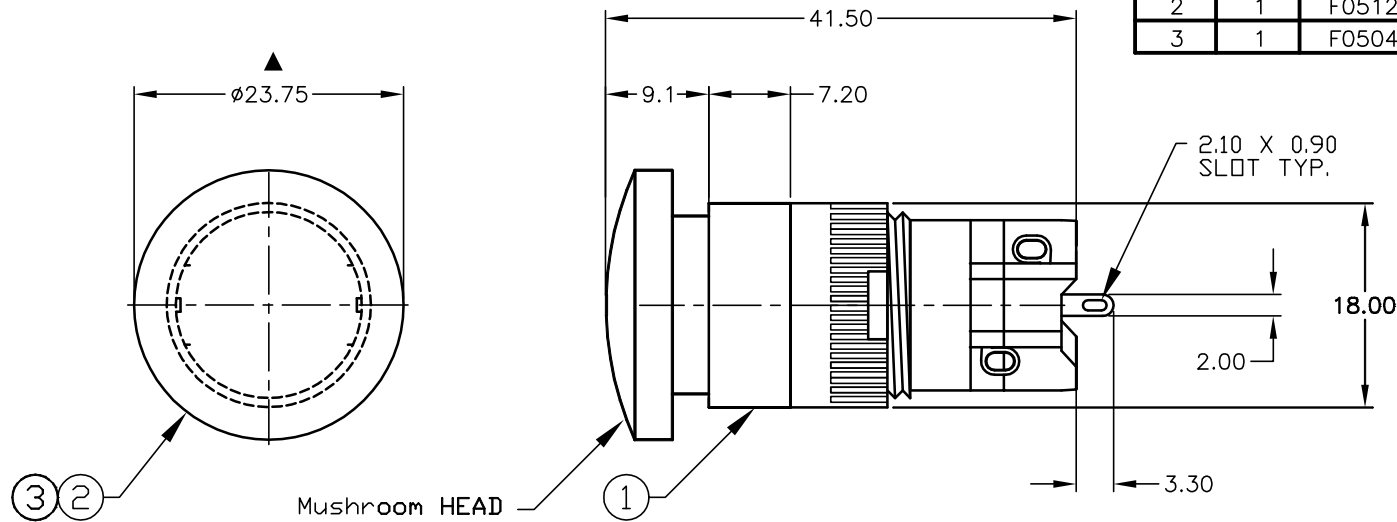


PARTS LIST

ITEM	QTY.	PART NO.	PART DESCRIPTION
1	1	F040009	D16 OA R1 1
2	1	F051201	50-012-01 (Opaque GRN lens)
3	1	F050413	50-004-13 GREEN NEON LIGHT



SPST
CONTACT CONFIGURATION

NOTES:

1. ALL DIMENSIONS IN MM
2. GENERAL TOLERANCE: X.X=±0.4
X.XX=±0.25
3. RATINGS: 5A @250V AC
8A @125V AC
UL, VDE, CSA, Semko, Nemko, Demko, Fimko Approved
4. CONTACT MATERIAL:
COPPER ALLOY W/Silver Plating
5. ▲ DENOTES CRITICAL PARAMETER.

RECOMMENDED PANEL MOUNTING
SCALE 1:1

E-SWITCH®

TITLE				
D160AR1GGRNGRN				
SCALE	DATE	DR	DWG	REV
1.5:1	10/1/03	AR	XF0571P	A

A	13502	RELEASED FOR PRODUCTION	10/1/03	AR
REV.	ECN No.	DESCRIPTION	DATE	CHKD

THE INFORMATION CONTAINED IN THIS DOCUMENT IS PROPRIETARY TO E-SWITCH AND IS NOT TO BE COPIED OR TRANSFERRED