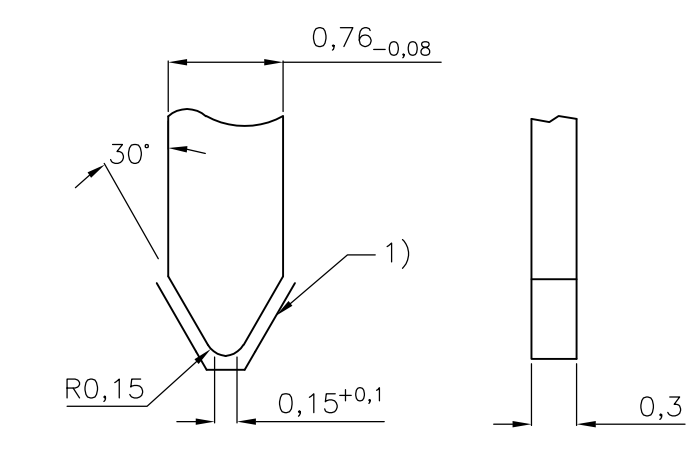
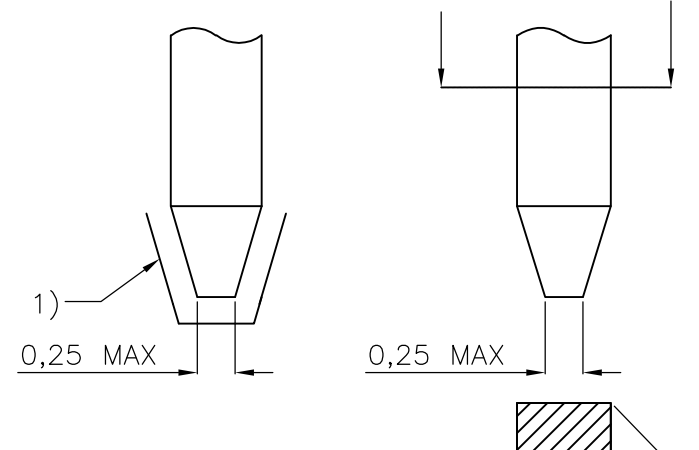


LOC		DIST		REVISIONS			
F	LTR	DESCRIPTION	DATE	DWN	APVD		
B4	SR10-0294-03		06-01-04			KV	
B5	ECR-08-020743		19-03-09			AEG	MKO
B6	ECR-10-002555		01JUN10			RK	MKO

SOLDER TERMINATIONS



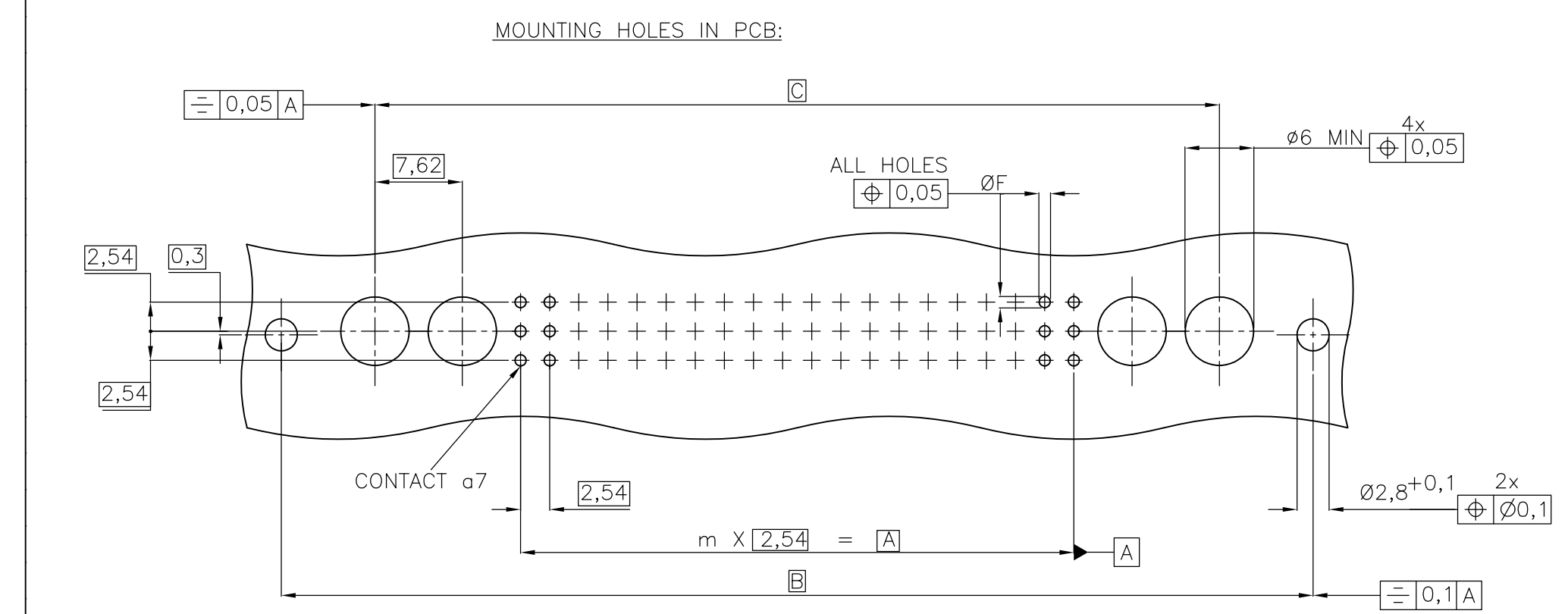
WIRE WRAP TERMINATIONS AND SOLDER TERMINATION 7.3 mm



TERMINATION STYLES

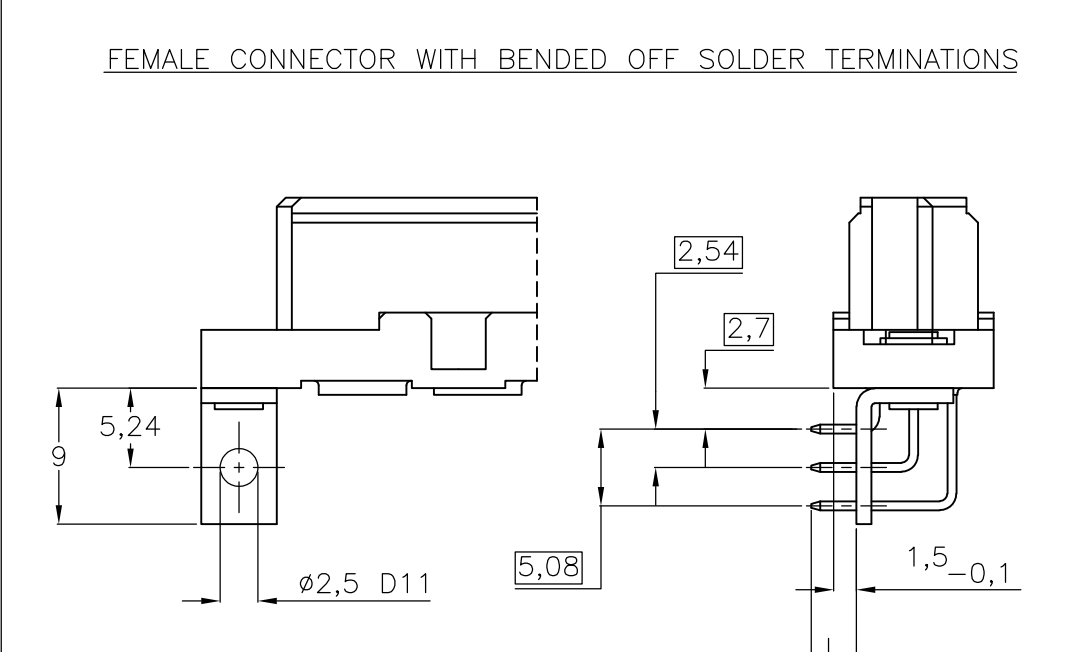
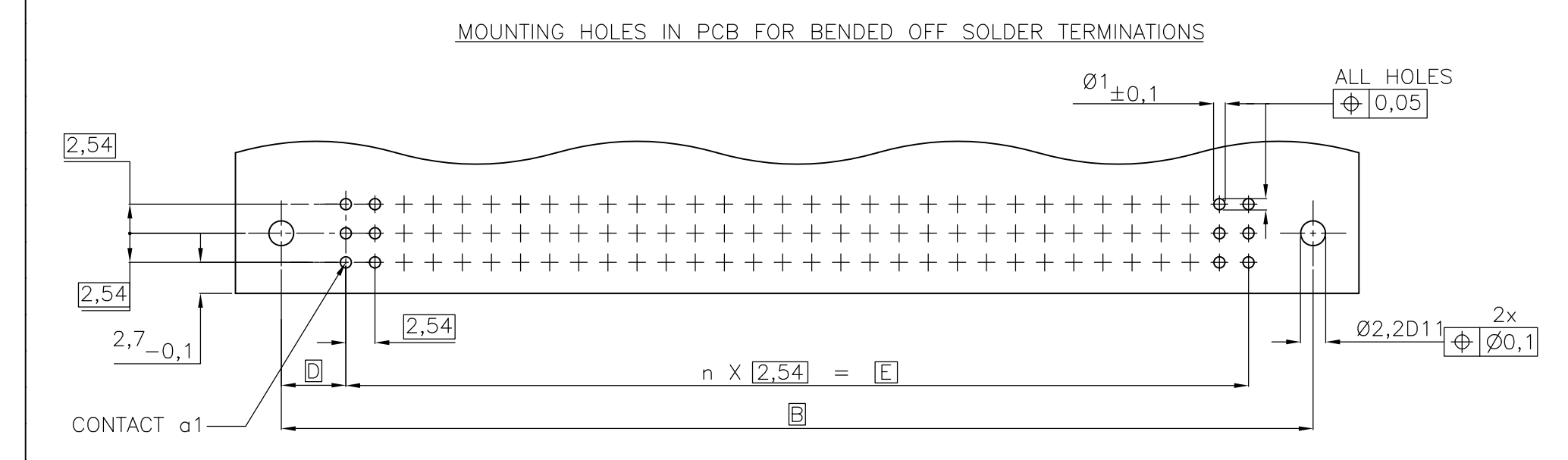
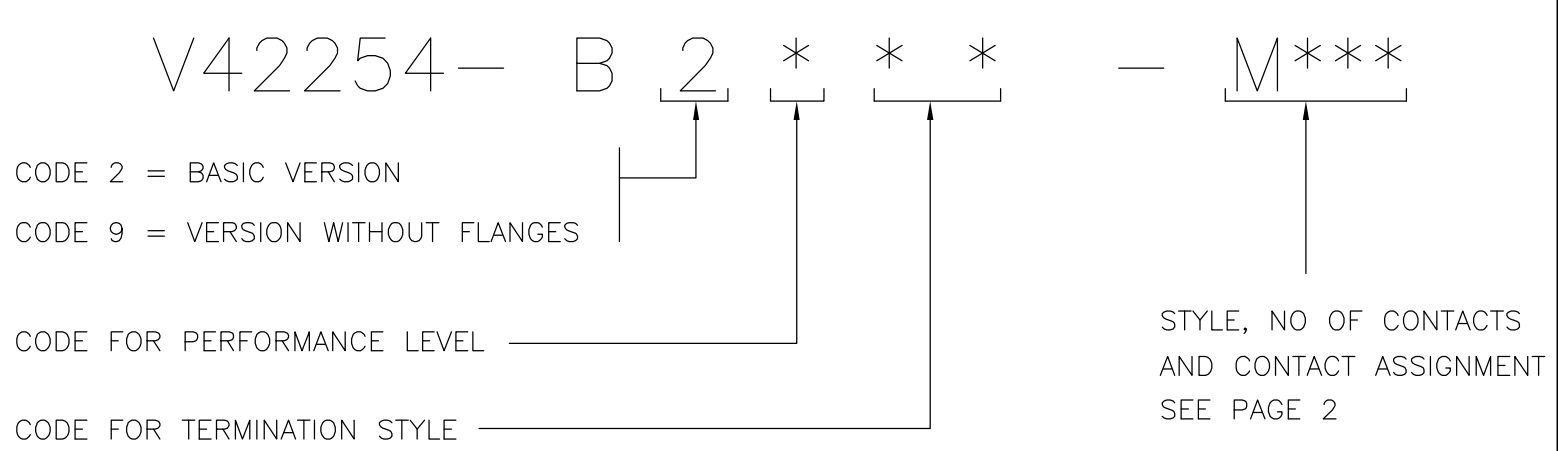
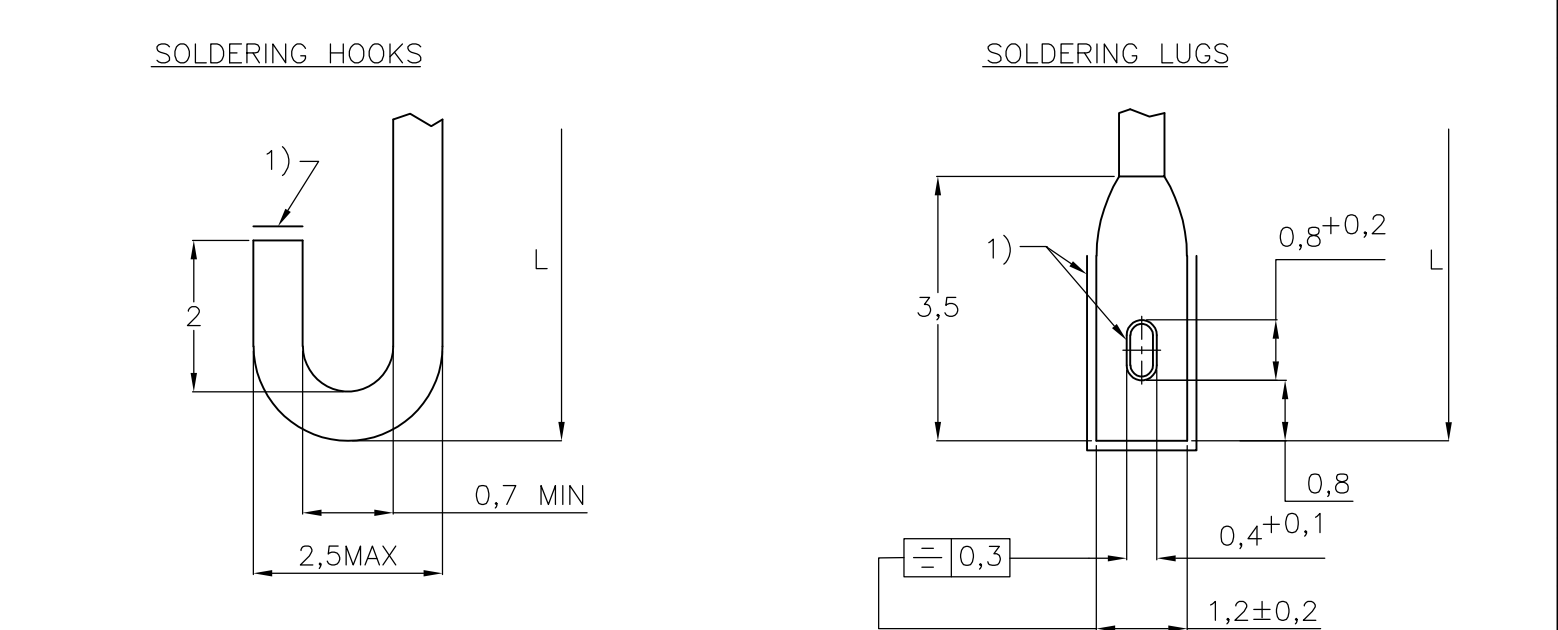
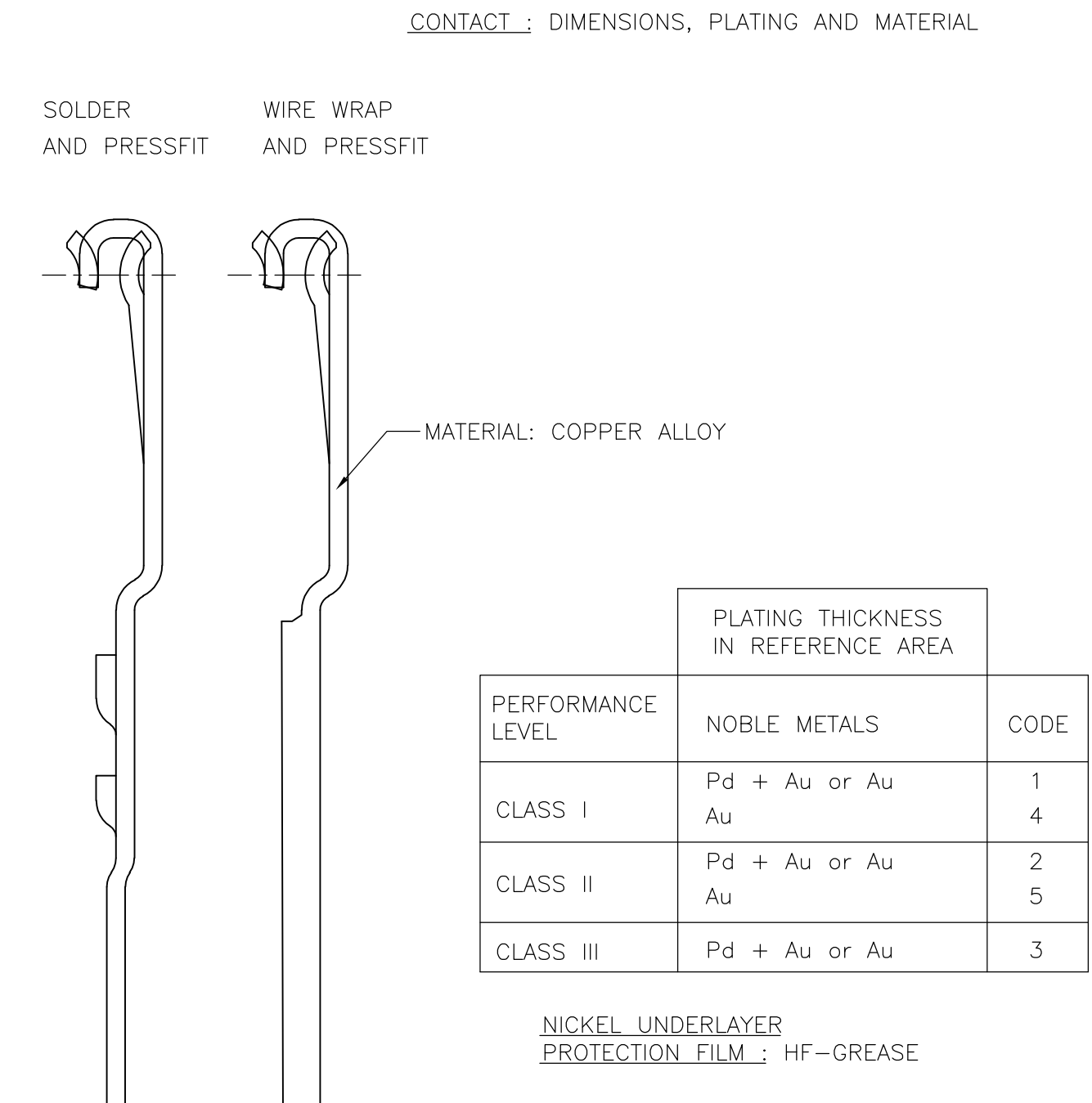
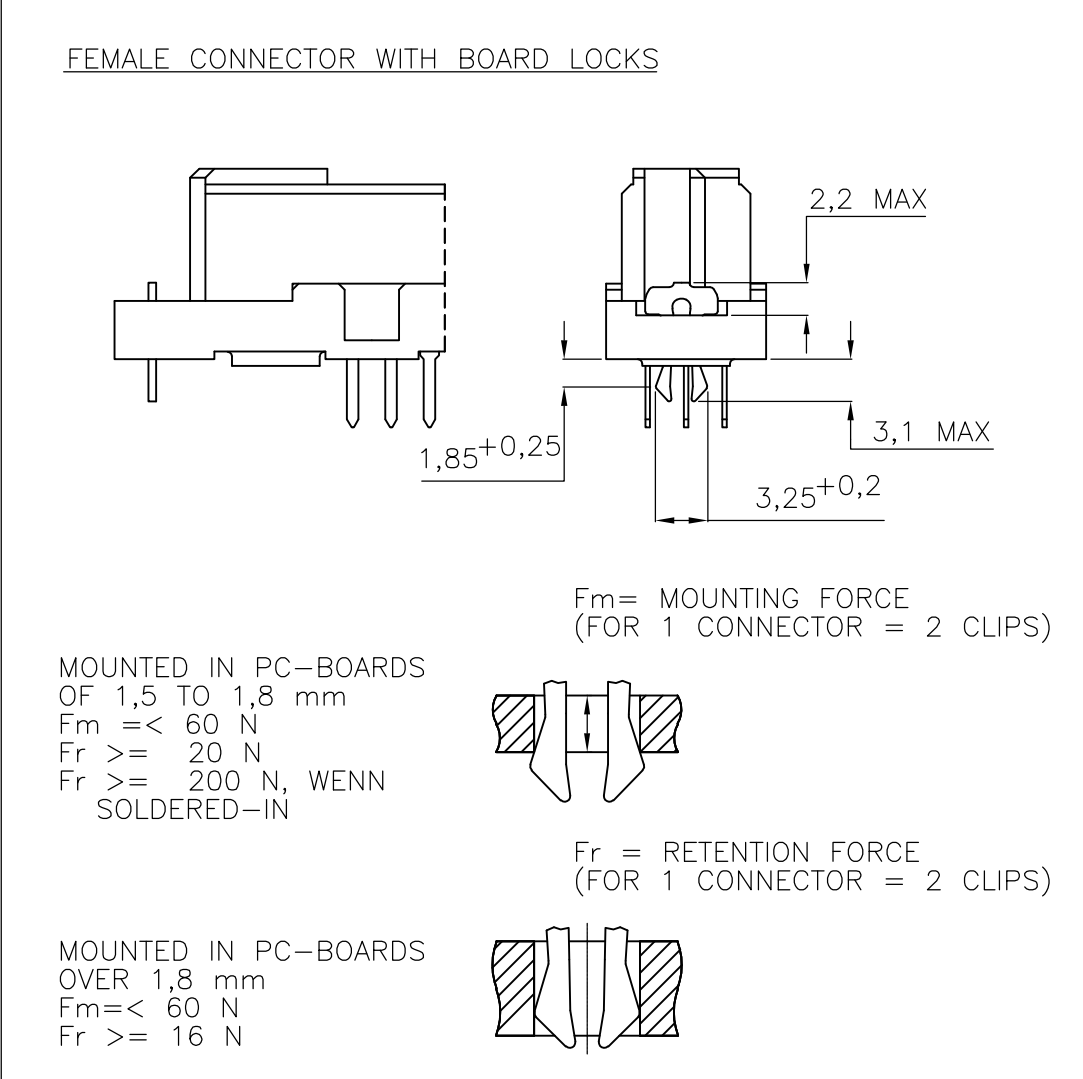
TERMINATION STYLE	TERMINATION	L	CODE
SOLDER	SOLDER	2,9 \pm 0,3	01
		3,7 \pm 0,3	05
		4,5 \pm 0,3	02
SOLDER	WIRE WRAP	6,3 \pm 0,3	03
		7,3 \pm 0,3	04
SOLDERING-HOOKS	SOLDERING-HOOKS	13 \pm 0,5	40
		5,5 \pm 0,3	30
SOLDERING-LUGS	SOLDERING-LUGS	10 \pm 0,5	35
		5,5 \pm 0,3	35
SOLDER BENDED OFF	SOLDER BENDED OFF	3-0,4	10
		1,55-0,4	00

TERMINATION WITH GALVANIC SN PLATING



TYPE	m	n	A	B	C	D	E
M+4SK	19	31	48,26	90	73,66	5,63	78,74
M/2+4SK	5	15	7,62	50	33,02	5,95	38,1

F	TERMINATION
1,0 \pm 0,1	SOLDER
1,0 \pm 0,1	WIRE WRAP
0,94 \pm 0,15	PRESS FIT



THIS INFORMATION IS CONFIDENTIAL AND PROPRIETARY TO TYCO ELECTRONICS CORPORATION AND ITS WORLDWIDE SUBSIDIARIES AND AFFILIATES. IT MAY NOT BE DISCLOSED TO ANYONE, OTHER THAN TYCO ELECTRONICS CORPORATION, WITHOUT WRITTEN AUTHORIZATION FROM TYCO ELECTRONICS CORPORATION, HARRISBURG, PENNSYLVANIA USA.

THIS DRAWING IS A CONTROLLED DOCUMENT.		DIN VANBESNIEN 180CT89	Tyco Electronics Corporation 's-Hertogenbosch, Nederland
DIMENSIONS: mm	TOLERANCES UNLESS OTHERWISE SPECIFIED:	NAME	RECEPTACLE ASSEMBLY EUROCARD TYPE M+4 SPECIAL CONTACTS AND SHORT VERSIONS
	0 PLC ± - 1 PLC ± - 2 PLC ± - 3 PLC ± - 4 PLC ± - ANGLES ± -	PRODUCT SPEC	SIZE CASE CODE DRAWING NO RESTRICTED TO
MATERIAL	FINISH	APPLICATION SPEC	A1 00779 C=1-1393640-2
		WEIGHT	CUSTOMER DRAWING SCALE NTS SHEET 1 OF 2 REV B6

PRODUCT DESCRIPTION CODE	TE PART NUMBER	STYLE & NUMBER OF POSITIONS	TERMINATION POSTS	LOADED ROWS	PERFORMANCE LEVEL	BOARD LOCKS
V42254-B2101-M120	1-1393640-2	M12+4	2,9mm STRAIGHT SOLDER LEADS	EVERY ROW , EVERY PITCH	1	NO OBSOLETE
V42254-B2102-M120	2-1393640-7	M12+4	4,5mm STRAIGHT SOLDER LEADS	EVERY ROW , EVERY PITCH	1	NO OBSOLETE
V42254-B2102-M600	2-1393640-9	M60+4	4,5mm STRAIGHT SOLDER LEADS	EVERY ROW , EVERY PITCH	1	NO OBSOLETE
V42254-B2102-M610	3-1393640-0	M60+4	4,5mm STRAIGHT SOLDER LEADS	EVERY ROW , EVERY PITCH	1	YES OBSOLETE
V42254-B2110-M600	4-1393640-3	M60+4	RIGHT-ANGLE SOLDER LEADS WITH MOUNTING BRACKET	EVERY ROW , EVERY PITCH	1	NO
V42254-B2135-M120	5-1393640-2	M12+4	5,5/10mm SOLDER LUGS	EVERY ROW , EVERY PITCH	1	NO OBSOLETE
V42254-B2140-M120	6-1393640-3	M12+4	13mm STRAIGHT WIRE-WRAP PINS	EVERY ROW , EVERY PITCH	1	NO OBSOLETE
V42254-B2140-M600	6-1393640-6	M60+4	13mm STRAIGHT WIRE-WRAP PINS	EVERY ROW , EVERY PITCH	1	NO OBSOLETE
V42254-B2201-M110	9-1393640-6	M12+4	2,9mm STRAIGHT SOLDER LEADS	EVERY ROW , EVERY PITCH	2	YES OBSOLETE
V42254-B2201-M600	1393641-3	M60+4	2,9mm STRAIGHT SOLDER LEADS	EVERY ROW , EVERY PITCH	2	NO OBSOLETE
V42254-B2201-M603	1393641-4	M60+4	2,9mm STRAIGHT SOLDER LEADS	ROW A+C , EVERY PITCH	2	NO OBSOLETE
V42254-B2202-M120	4-1393641-1	M12+4	4,5mm STRAIGHT SOLDER LEADS	EVERY ROW , EVERY PITCH	2	NO OBSOLETE
V42254-B2202-M600	4-1393641-6	M60+4	4,5mm STRAIGHT SOLDER LEADS	EVERY ROW , EVERY PITCH	2	NO OBSOLETE
V42254-B2202-M603	4-1393641-8	M60+4	4,5mm STRAIGHT SOLDER LEADS	ROW A+C , EVERY PITCH	2	NO OBSOLETE
V42254-B2202-M610	4-1393641-9	M60+4	4,5mm STRAIGHT SOLDER LEADS	EVERY ROW , EVERY PITCH	2	YES SUPERSEDED BY 4-1393641-6
V42254-B2202-M613	5-1393641-0	M60+4	4,5mm STRAIGHT SOLDER LEADS	ROW A+C , EVERY PITCH	2	YES OBSOLETE
V42254-B2203-M600	6-1393641-2	M60+4	6,3mm STRAIGHT SOLDER LEADS	EVERY ROW , EVERY PITCH	2	NO OBSOLETE
V42254-B2203-M603	6-1393641-3	M60+4	6,3mm STRAIGHT SOLDER LEADS	ROW A+C , EVERY PITCH	2	NO OBSOLETE
V42254-B2210-M603	8-1393641-1	M60+4	RIGHT-ANGLE SOLDER LEADS WITH MOUNTING BRACKET	ROW A+C , EVERY PITCH	2	NO OBSOLETE
V42254-B2235-M120	9-1393641-7	M12+4	5,5/10mm SOLDER LUGS	EVERY ROW , EVERY PITCH	2	NO OBSOLETE
V42254-B2235-M600	9-1393641-9	M60+4	5,5/10mm SOLDER LUGS	EVERY ROW , EVERY PITCH	2	NO OBSOLETE
V42254-B2240-M120	2-1393642-2	M12+4	13mm STRAIGHT WIRE-WRAP PINS	EVERY ROW , EVERY PITCH	2	NO OBSOLETE
V42254-B2240-M600	2-1393642-6	M60+4	13mm STRAIGHT WIRE-WRAP PINS	EVERY ROW , EVERY PITCH	2	NO OBSOLETE
V42254-B2240-M603	2-1393642-7	M60+4	13mm STRAIGHT WIRE-WRAP PINS	ROW A+C , EVERY PITCH	2	NO OBSOLETE 1)

1) ACCORDING TO BT 236 LEVEL 2.

ACTIVE PART NUMBERS.
 CONTACT TYCO ELECTRONICS FOR OTHER CONFIGURATION AVAILABILITY

THIS DRAWING IS A CONTROLLED DOCUMENT.		DIN 180CT89	Tyco Electronics Corporation 's-Hertogenbosch, Nederland	
DIMENSIONS: mm		TOLERANCES UNLESS OTHERWISE SPECIFIED:	NAME	
		0 PLC ± -	RECEPTACLE ASSEMBLY EUROCARD TYPE M+4 SPECIAL CONTACTS AND SHORT VERSIONS	
		1 PLC ± -	SIZE CASE CODE DRAWING NO	
		2 PLC ± -	A1 00779 C=1-1393640-2	
		3 PLC ± -	RESTRICTED TO	
		4 PLC ± -		
		ANGLES ± -		
MATERIAL		FINISH	CUSTOMER DRAWING	
			SCALE NTS SHEET 2 OF 2 REV B6	