

PART NAME: KNOB SCALE: 1:1 DATE: 7/12/84 DR. BY HD

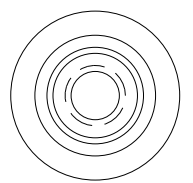
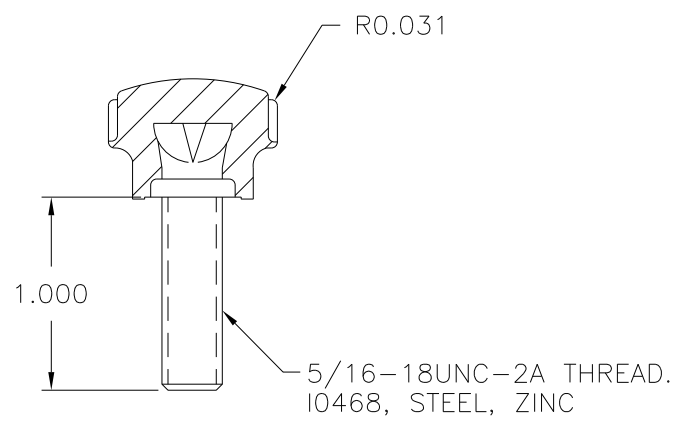
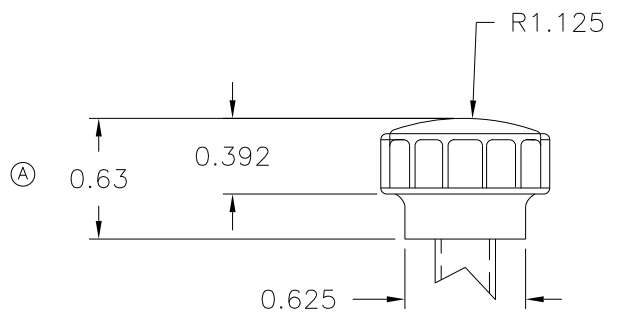
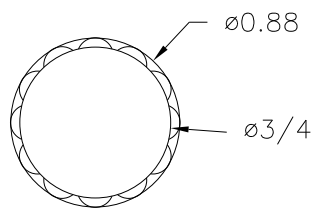
THIS DRAWING IS THE PROPERTY OF DAVIES MOLDING COMPANY, IS SUBMITTED SOLELY AS A DESIGN OR ENGINEERING PROJECT. WE ACCEPT NO RESPONSIBILITY WHATSOEVER FOR THE PRACTICAL APPLICATION OF THE PIECES MADE TO THIS DESIGN.



DESIGNERS & MANUFACTURERS OF KNOBS, HANDLES, CASES & CUSTOM PLASTIC COMPONENTS

P/N	2965KD
M NO.	2965
CHASE	2965
PIN BAR	2965-EE
SHIM	# 10
INSERT	I0468

CAD/REDRAWN : 3/8/93 : HD



(B)  
MATERIAL: 04311 PHENOLIC (B41)  
COLOR: BLACK

TOLERANCES: UNLESS OTHERWISE SPECIFIED	DO NOT SCALE DRAWING			
DECIMALS: X.XXX ± .005 X.XX ± .015	MM: X.XX ± 0.15MM X.X ± 0.4MM	B	WAS #2511 PHENOLIC (B11)	JAM 7/2/08
FRACTIONS ± 1/64	ANG. ± 1°	A	INCREASED HEIGHT TO 5/8	JAM 4/25/01
CHANGES				